

1 2 3 4 5 6

A

A

B

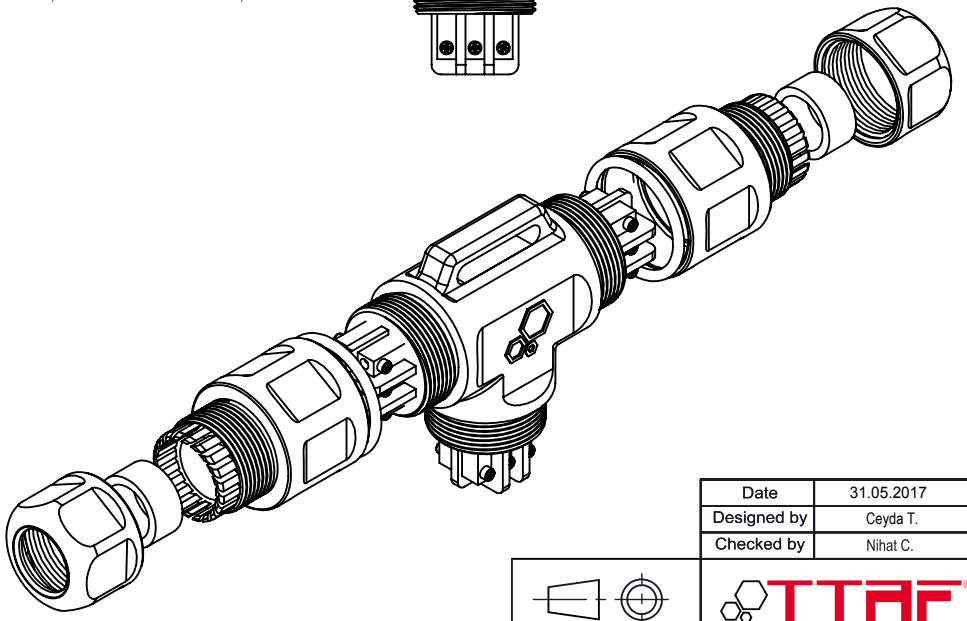
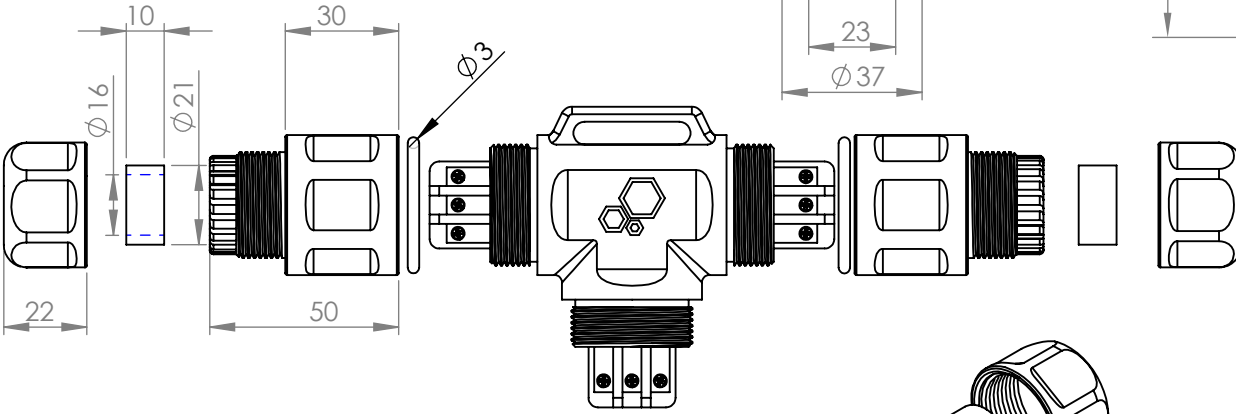
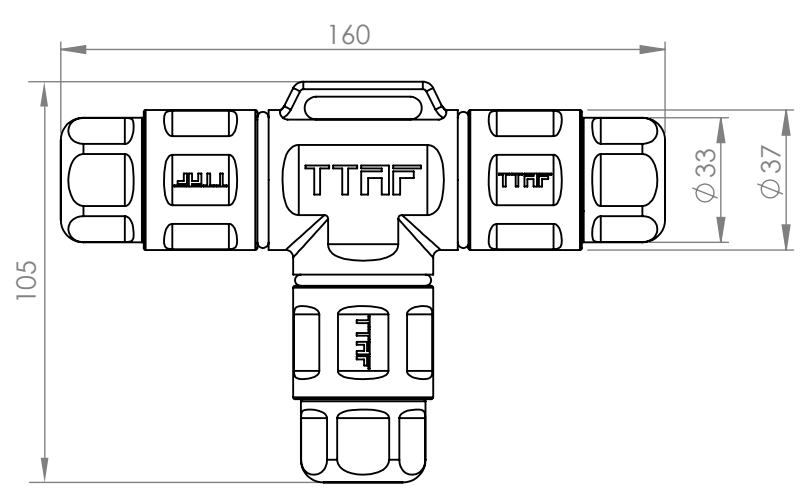
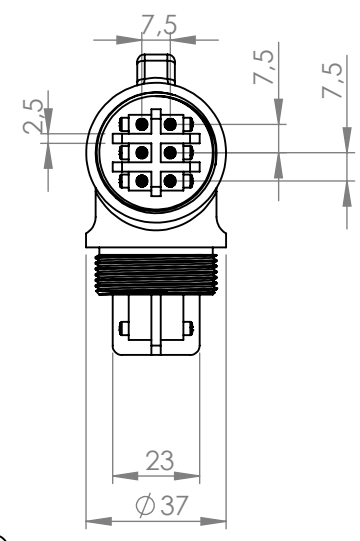
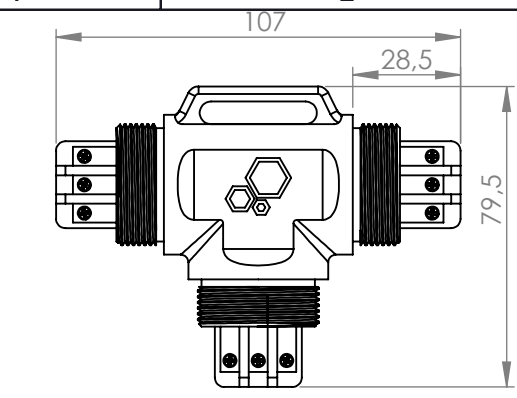
B

C

C

D

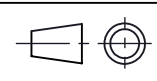
D



TECHNICAL SPECIFICATION

Number of Poles	6
Voltage Rating	250VAC max.
Current Rating	25A max.
Cable Cross Section Area	0,75mm ² ~ 4mm ²
Durability Voltage	1500VAC@60s.
Insulation Structure	1000 MΩ at 1000VDC
Contact Resistance	10 mΩ max.
Min Wire Size OD	10mm
Max Wire Size OD	14mm
Temperature Rating	-40°C ~ +85°C
IP Rating	IP68
Mold Material	PA6
Contact/Terminal Material	Nickel-Plated Brass
Seal Material	Silicone

Form No. FR-01/004 IYI: 10/2003 Rev:06 09/01/2012



Date	31.05.2017	Rev.		Revision Detail	Rev.Dt.	Rev.by	Part No/ Name
Designed by	Ceyda T.	-					WPT-0603M25
Checked by	Nihat C.						6 Pin T Type Screw Connection Field Assembly
							Drawing Nr.
							Scale
							Sheet No
							A4 1:1 1/1

1 2 3 4 5 6 A4