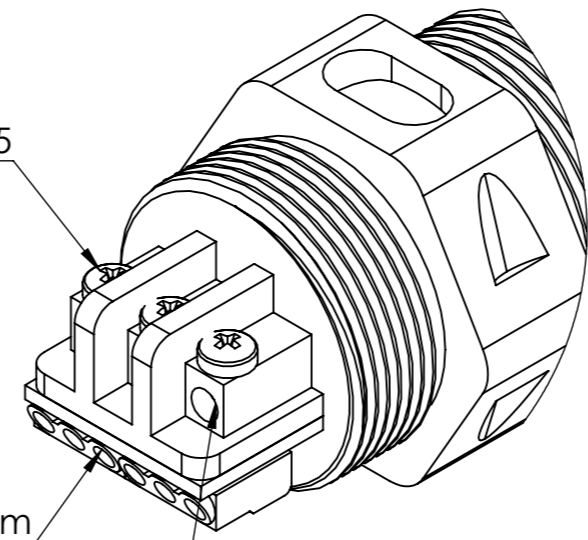
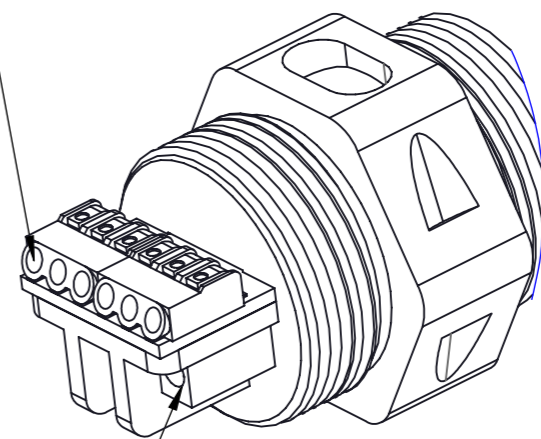


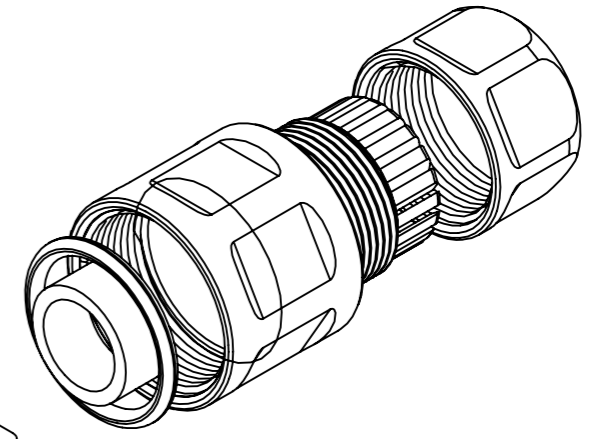
M3,5



Data

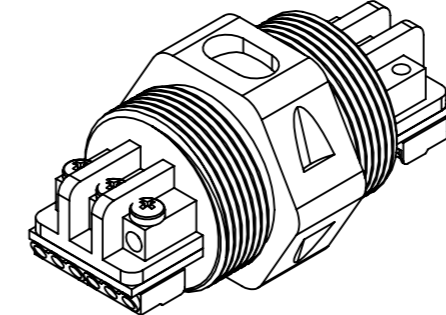
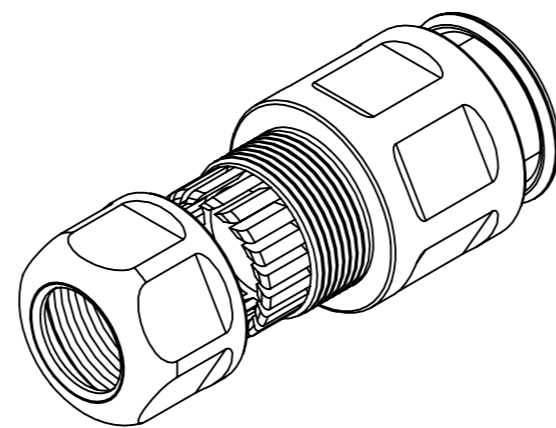
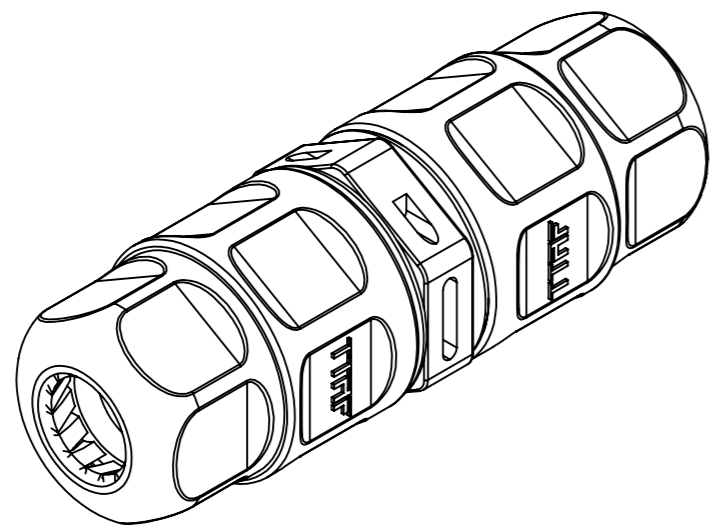


Power




Max conductive  $\phi$  0,34 mm

Max conductive  $\phi$  3,5 mm



**TECHINICAL SPECIFICATION**

Number of Poles	6
Voltage Rating	250VAC max.
Current Rating	25A max.
Cable Cross Section Area	0,75mwm <sup>2</sup> ~ 4mm <sup>2</sup>
Durability Voltage	1500VAC@60s.
Insulation Structure	1000 M $\Omega$ at 1000VDC
Contact Resistance	10 m $\Omega$ max.
Min Wire Size OD	10mm
Max Wire Size OD	14mm
Temperature Rating	-40°C ~ +85°C
IP Rating	IP67
Mold Material	PA6
Contact/Terminal Material	Nickel-Plated Brass
Seal Material	Silicone

Date	21.12.2016	Rev.	Revision Detail	Rev.Dt.	Rev.by	Part No		
Designed by	Ceyda TOMBA	-				<b>WPI-3602M25</b> 3 Power+6 Data I Type Screw Connection Field Assembly		
Checked by	Talat ŞAHİM							
								
						Drawing Nr.	Scale	Sheet No
							NONE	1/1