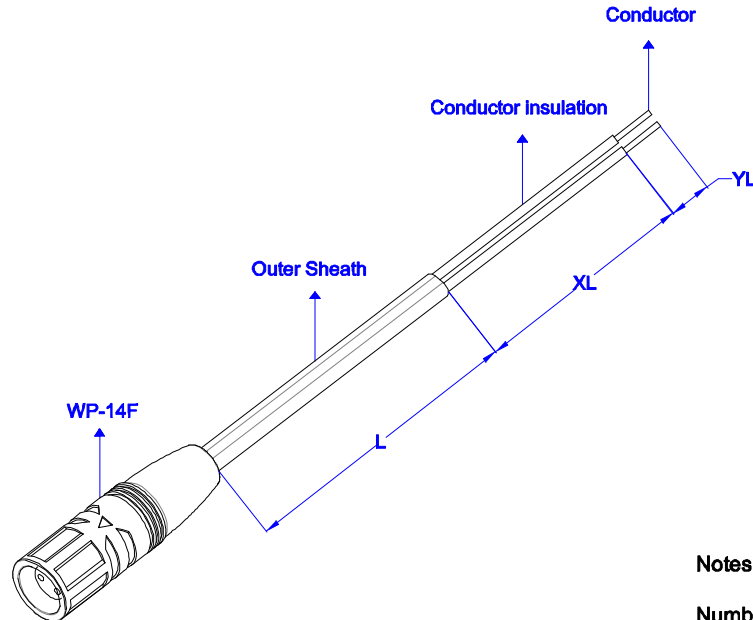


VIEW	TOLERANCE	
	0-5	±0.1
	6-10	±0.25
	11-50	±0.5
UNIT: mm	51-100	±1
	101-250	±2
	251-500	±5
	501- >	±10



**Notes:**

Number Of Contact: 2 Pin  
 Contact: Brass Nickel Plated  
 Current Rating Percontact: 2A  
 Voltage Rating: 250V AC  
 Contact Resistance: <10M Ω  
 Insulation Resistance: 1000M Ω at DC 500V.  
 Breakdown Voltage: 1,5KV / 1 minute  
 Temperature Rating: -30C°~+70C°  
 Durability (Plug/Unplug): 3000 times  
 Waterproof Rating: IP67  
 Certificate: CE ; ROHS

**ORDER CODE:**

WP-14F XXXX XX X XXX XX X

→ Conductor Solder : if yes: Y  
if not: 0

→ Conductor insulation Stripping : if yes: YL (mm)  
if not: 00

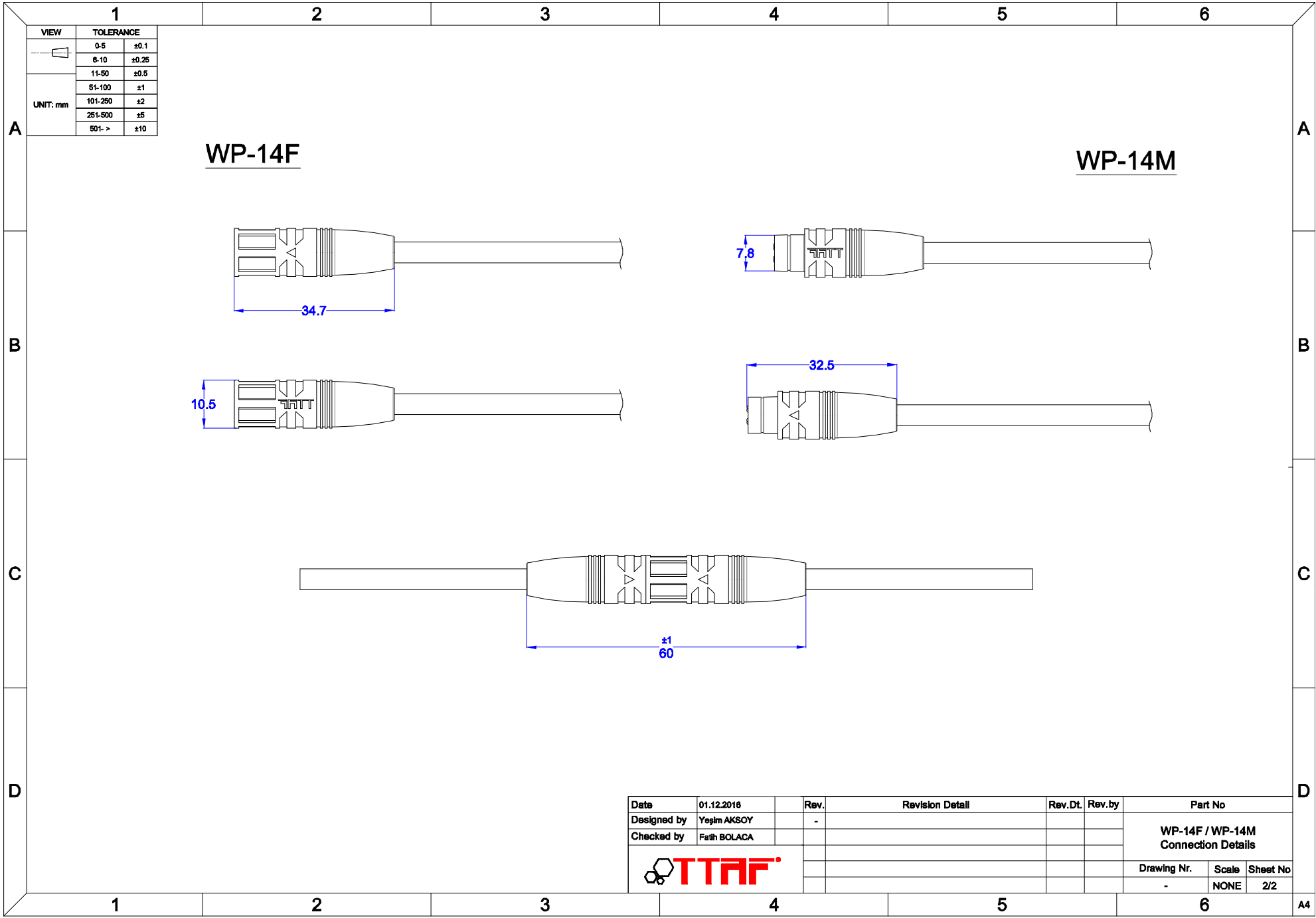
→ Outer Sheath Stripping : if yes: XL (mm)  
if not: 00

→ Color : B: Black W : White

→ Cable : BA: PVC H05VV-F (TTR) 2x0,50mm<sup>2</sup> O.D: 5,0 ±0.2

→ Length : L (mm)

4	-	PVC MOLDING / BLACK	-	-	-
3	-	2 PIN FEMALE CONNECTOR / BLACK	-	1	pc.
2	-	2 PIN MALE CONNECTOR / BLACK	-	1	pc.
1	KBL-9046	2x0.36mm <sup>2</sup> CABLE / BLACK	-	-	-
No	Material Code	Description	Size (mm)	Q'ty	Unit
Date	16.12.2016	Rev.	Revision Detail		Rev.Dt. Rev.by
Designed by	Yegim AKSOY	-			Part No
Checked by	Fatih BOLACA				WP-14F 2 Pin Seal Harness
			Drawing Nr.	Scale	Sheet No
			-	NONE	1/2



VIEW	TOLERANCE	
	0-5	±0.1
	6-10	±0.25
	11-50	±0.5
UNIT: mm	51-100	±1
	101-250	±2
	251-500	±5
	501- >	±10

**WP-14F**

**WP-14M**

Date	01.12.2016	Rev.	-	Revision Detail		Rev.Dt.		Rev.by		Part No	WP-14F / WP-14M Connection Details				
Designed by	Yegim AKSOY	Checked by	Fatih BOLACA							Drawing Nr.	-	Scale	NONE	Sheet No	2/2