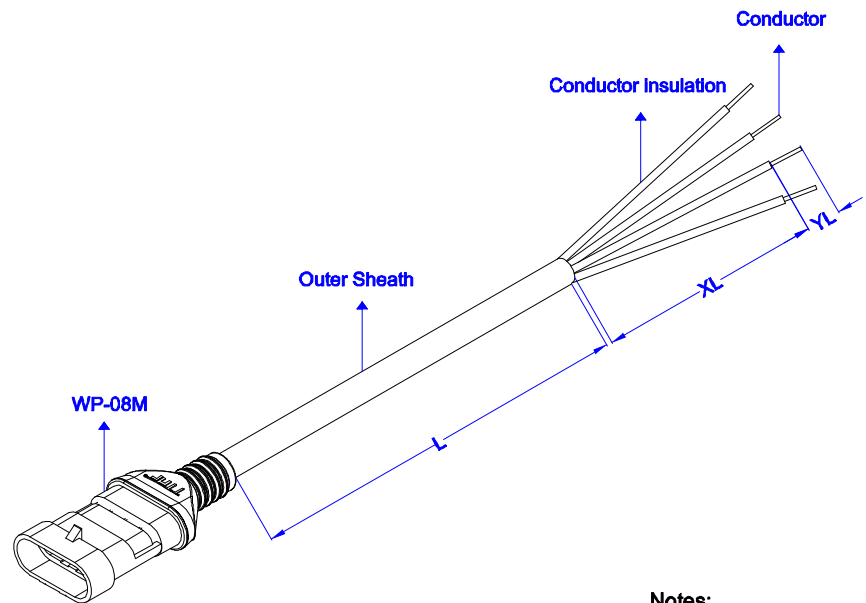


VIEW	TOLERANCE	
	0-5	±0.1
	6-10	±0.25
	11-50	±0.5
UNIT: mm	51-100	±1
	101-250	±2
	251-500	±5
	501- >	±10



ORDER CODE:

WP-08M XXXX XX X XXX XX X

- Conductor Solder : if yes: Y
if not: 0
- Conductor insulation Striping : if yes: YL (mm)
if not: 00
- Outer Sheath Striping : if yes: XL (mm)
if not: 00
- Color : B: Black W: White

→ Cable :

CI: PVC H05VV-F (TTR)	4x0,50 mm ²	O.D: 5,8 ±0.2
CJ: PVC H05VV-F (TTR)	4x0,75 mm ²	O.D: 8,0 ±0.2
CK: PVC H05VV-F (TTR)	4x1,00 mm ²	O.D: 8,0 ±0.2
CL: PVC H05VV-F (TTR)	4x1,50 mm ²	O.D: 9,0 ±0.2
PI: PUR H05VV-F (TTR)	4x0,50 mm ²	O.D: 5,8 ±0.2
PJ: PUR H05VV-F (TTR)	4x0,75 mm ²	O.D: 8,0 ±0.2
PK: PUR H05VV-F (TTR)	4x1,00 mm ²	O.D: 8,0 ±0.2
PL: PUR H05VV-F (TTR)	4x1,50 mm ²	O.D: 9,0 ±0.2

→ Length : L (mm)

Notes:

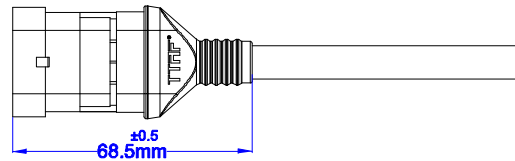
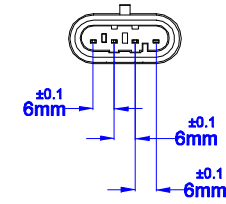
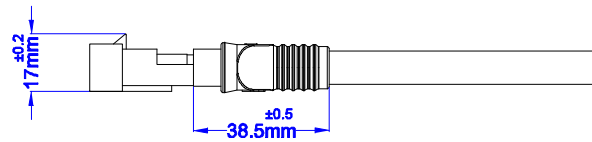
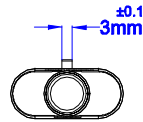
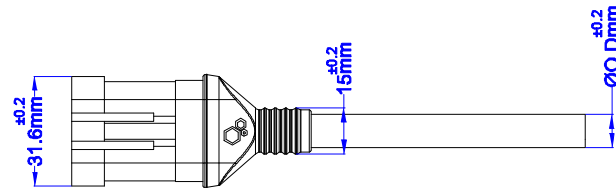
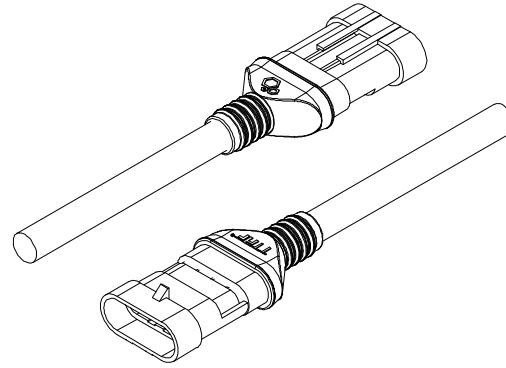
- 1) Connector Specification; Material: PA66+GF
 Number Of Contacts: 4 pin
 Temperature Range: -30C°~+70C°
 Terminal Material: Phosphor Bronze
 Terminal Plate: Pre-Tin
 Current Rating Per Contact;
 0,5 mm² Cable Max. 6A
 0,75 mm² Cable Max. 7A
 1,00 mm² Cable Max. 8A
 1,50 mm² Cable Max. 11A
- 2) Molding Material: PVC or PUR depends for cable order
- 3) Housing Part No: 200001-4M
 Terminal Part No: 200001-TM-B

Date	30.11.2016	Rev.	-	Revision Detail		Rev.Dt.		Rev.by		Part No	WP-08M 4 Pin Seal Harness		
Designed by	Yegim AKSOY	Checked by	Fatih BOLACA							Drawing Nr.	Scale	Sheet No	
										-	1:2	1/3	



VIEW	TOLERANCE	
	0-5	±0.1
	6-10	±0.25
	11-50	±0.5
	51-100	±1
	101-250	±2
	251-500	±5
	501- >	±10

UNIT: mm



Date	30.11.2016	Rev.	-	Revision Detail		Rev.Dt.		Rev.by		Part No	WP-08M Dimensions		
Designed by	Yegim AKSOY									Drawing Nr.	Scale	Sheet No	
Checked by	Fatih BOLACA									-	1:2	2/3	



1

2

3

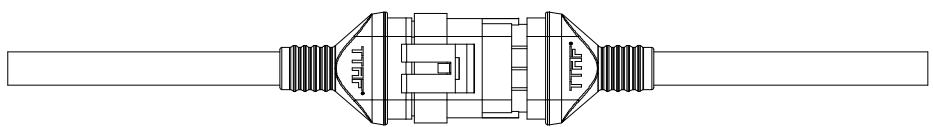
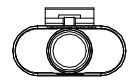
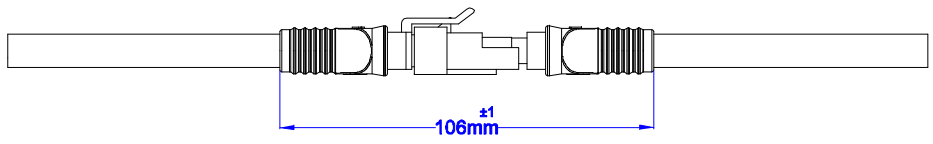
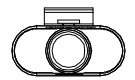
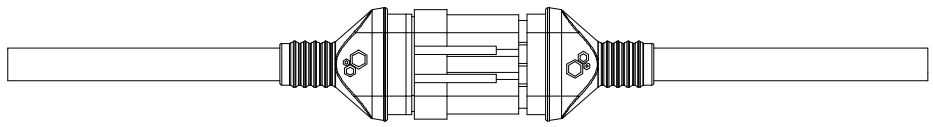
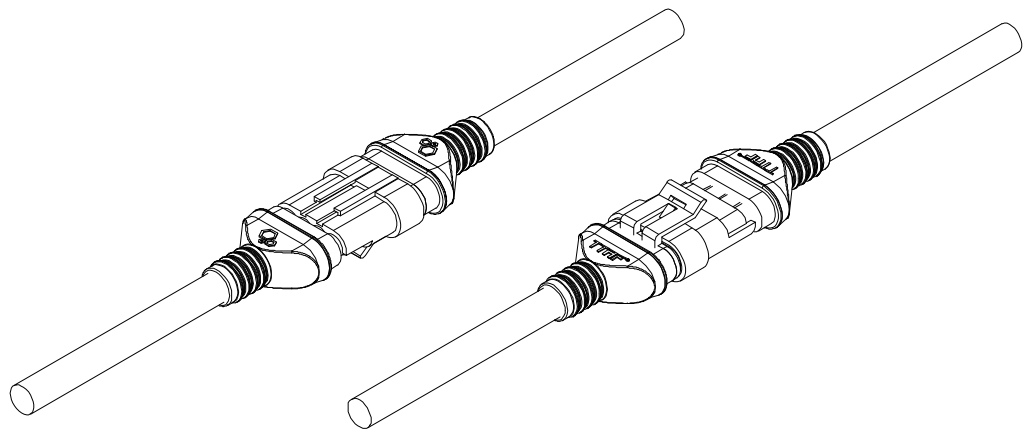
4

5

6

A4

VIEW	TOLERANCE	
	0-5	±0.1
	6-10	±0.25
	11-50	±0.5
	51-100	±1
UNIT: mm	101-250	±2
	251-500	±5
	501- >	±10



Date	30.11.2016	Rev.	-	Revision Detail	Rev.Dt.	Rev.by	Part No		
Designed by	Yegim AKSOY						WP-05F / WP-08M Connection Details		
Checked by	Fatih BOLACA								
							Drawing Nr.	Scale	Sheet No
							-	1:2	3/3