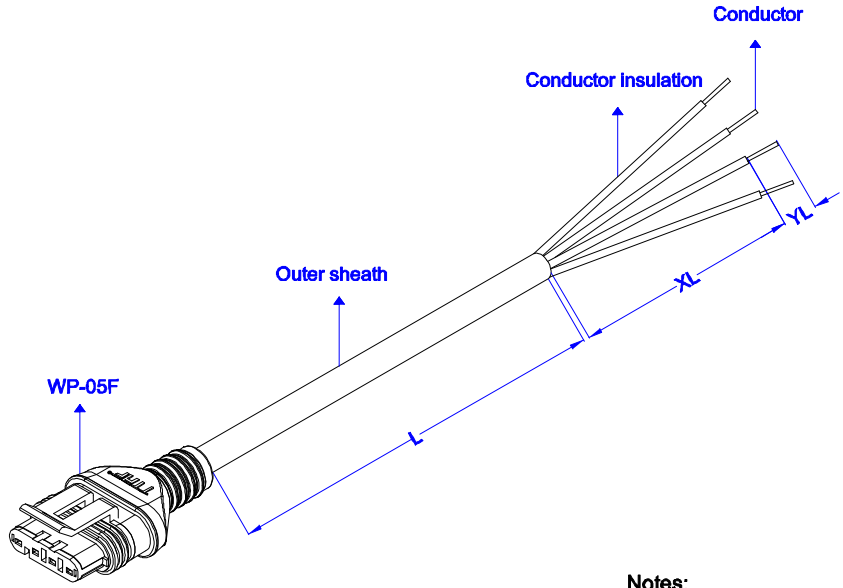
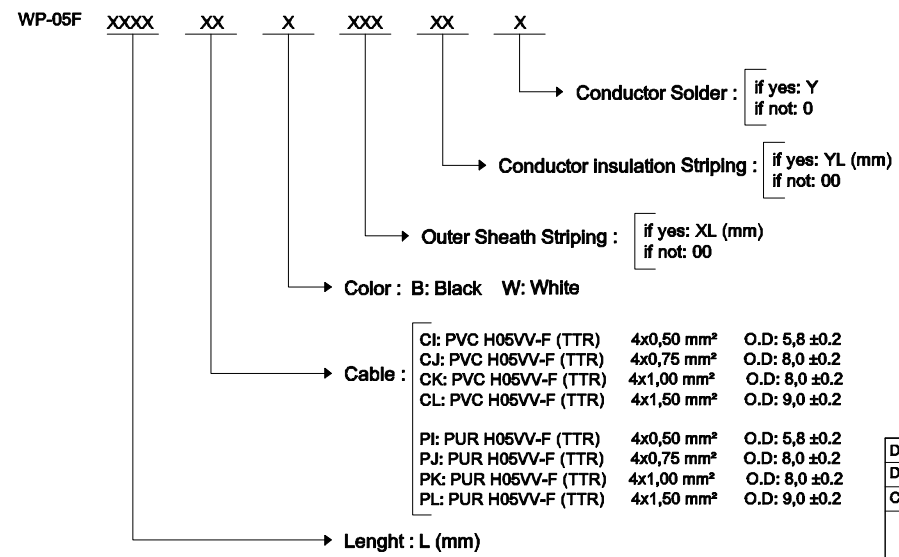


VIEW	TOLERANCE	
	0-5	±0.1
	6-10	±0.25
	11-50	±0.5
UNIT: mm	51-100	±1
	101-250	±2
	251-500	±5
	501->	±10



ORDER CODE:



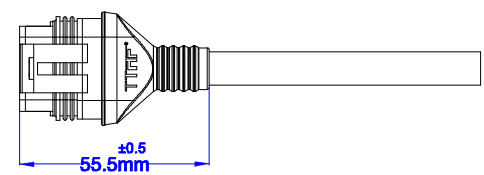
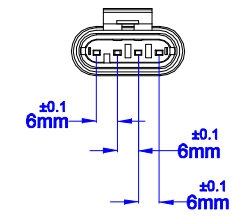
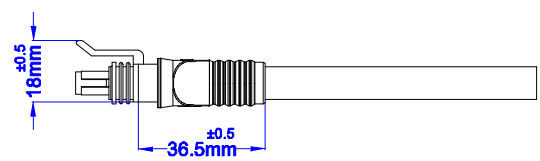
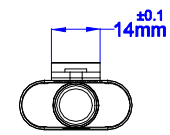
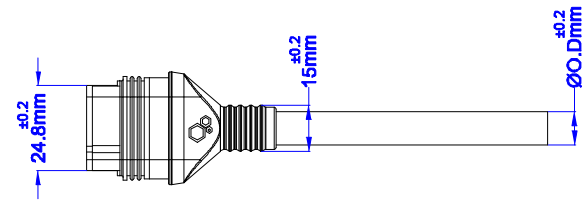
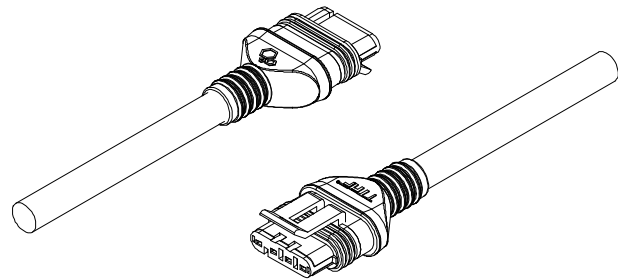
Notes:

- Connector Specification; Material: PA66+GF
 Number Of Contacts: 4 pin
 Temperature Range: -30C°~+70C°
 Terminal Material: Phosphor Bronze
 Terminal Plate: Pre-Tin
 Current Rating per contact;
 0,5 mm² Cable Max. 6A
 0,75 mm² Cable Max. 7A
 1,00 mm² Cable Max. 8A
 1,50 mm² Cable Max. 11A
- Molding Material: PVC or PUR depends for cable order
- Housing Part No: 200001-4F
 Terminal Part No: 200001-TF-C

Date	30.11.2016	Rev.	-	Revision Detail		Rev.Dt.		Rev.by		Part No	WP-05F 4 Pin Seal Harness		
Designed by	Yegim AKSOY	Checked by	Fatih BOLACA							Drawing Nr.	Scale	Sheet No	
										-	1:2	1/3	

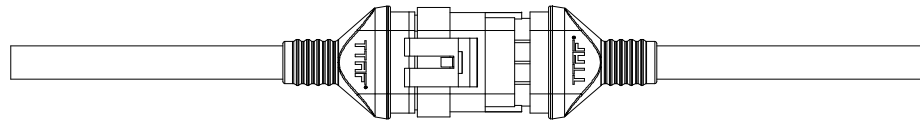
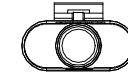
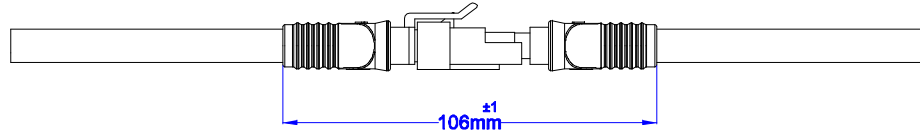
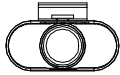
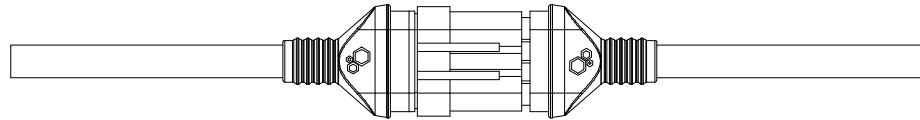
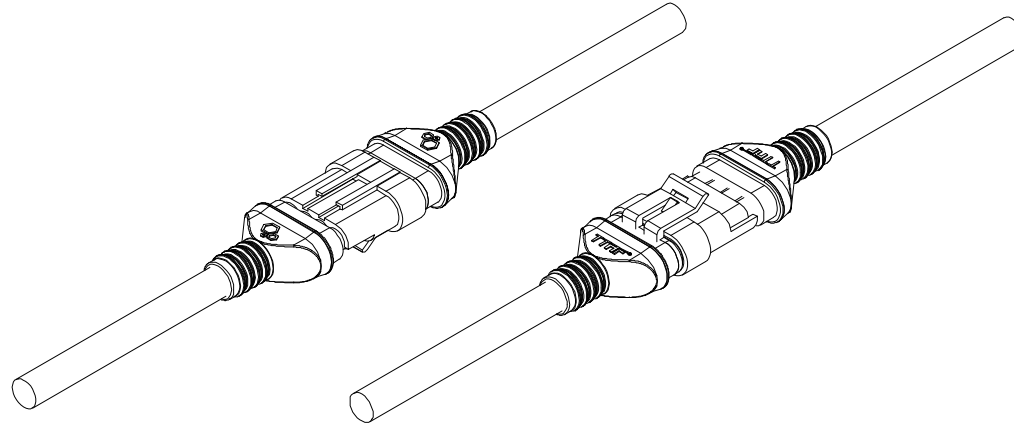


VIEW	TOLERANCE	
	0-5	±0.1
	6-10	±0.25
	11-50	±0.5
UNIT: mm	51-100	±1
	101-250	±2
	251-500	±5
	501- >	±10



Date	30.11.2016	Rev.		Revision Detail	Rev.Dt.	Rev.by	Part No		
Designed by	Yegim AKSOY		-				WP-05F Dimensions		
Checked by	Fatih BOLACA								
							Drawing Nr.	Scale	Sheet No
							-	1:2	2/3

VIEW	TOLERANCE	
	0-5	±0.1
	6-10	±0.25
	11-50	±0.5
	51-100	±1
	101-250	±2
UNIT: mm	251-500	±5
	501- >	±10



Date	30.11.2016	Rev.	-	Revision Detail	Rev.Dt.	Rev.by	Part No		
Designed by	Yegim AKSOY						WP-05F / WP-08M Connection Details		
Checked by	Fatih BOLACA								
							Drawing Nr.	Scale	Sheet No
							-	1:2	3/3