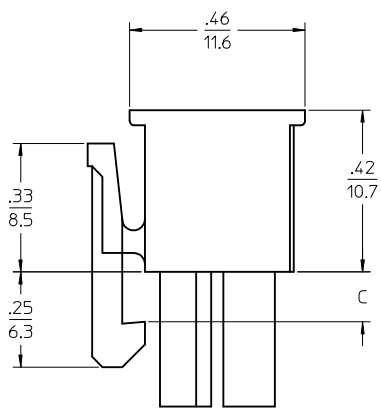
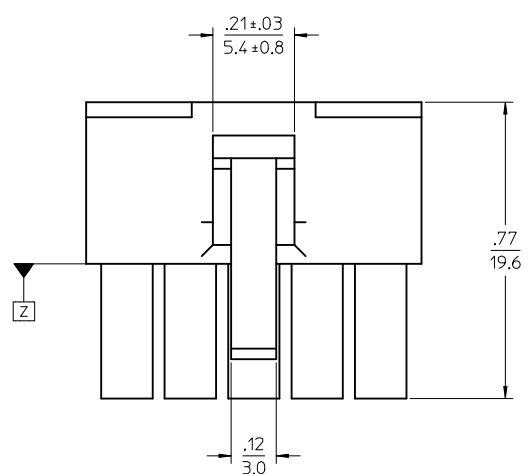
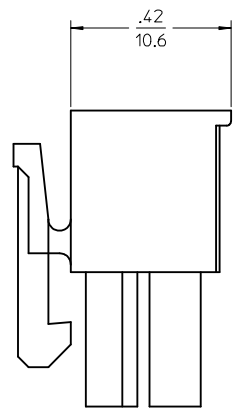


4 CKT SHOWN

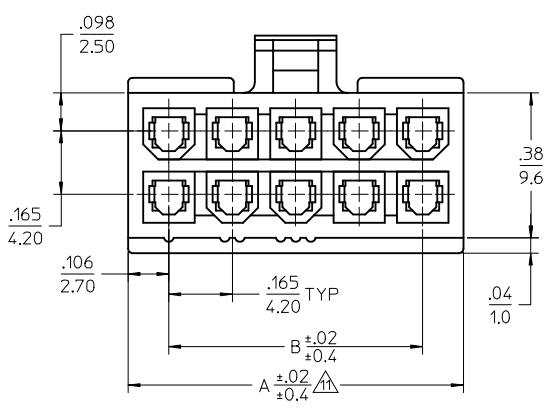
- NOTES:
- MATERIAL:
 - "BLANK" = NYLON 6/6, UNFILLED UL94V-2, COLOR: NATURAL.
 - "BL" = NYLON 6/6, UNFILLED UL94V-2, COLOR: BLACK.
 - "RE" = NYLON 6/6, UNFILLED UL94V-2, COLOR: RED.
 - "YE" = NYLON 6/6, UNFILLED UL94V-2, COLOR: YELLOW
 - "GRE" = NYLON 6/6, UNFILLED UL94V-2, COLOR: GREEN.
 - "210" = NYLON 6/6, UNFILLED UL94V-0, COLOR: NATURAL.
 - "225" = NYLON, UNFILLED UL94V-0, COLOR: BLACK, IEC 60335-1, 4th EDITION GLOW WIRE CAPABLE.
 - "400" = NYLON 6/6, UNFILLED UL94V-0, COLOR: BLACK.
 - FINISH: NOT APPLICABLE
 - PRODUCT SPECIFICATION: PS-5556-001
 - PACKAGING: BULK
 - PART MATES WITH MOLEX PLUG #5559 AND HEADERS #5566, #5569.
 - PART TO BE USED WITH MOLEX FEMALE TERMINAL #5556.
 - PART IS NOT DESIGNED FOR CURRENT SHARING.
 - CONNECTORS ARE NOT TO BE MATED OR UNMATED WHILE CIRCUITS ARE LIVE.
 - WIRES ARE TO BE DRESSED IN SUCH A MANNER TO ALLOW THE TERMINALS TO FLOAT FREELY IN THE POCKET.
 - PART CONFORMS TO CLASS "B" REQUIREMENTS OF COSMETIC SPECIFICATION PS-45499-002 WITH THE EXCEPTION OF DISCOLORATION, FLASH AND SINK MEET CLASS "C" REQUIREMENTS.
- △ TO BE MEASURED AT SURFACE □



4-24 CKT



2 CKT ONLY



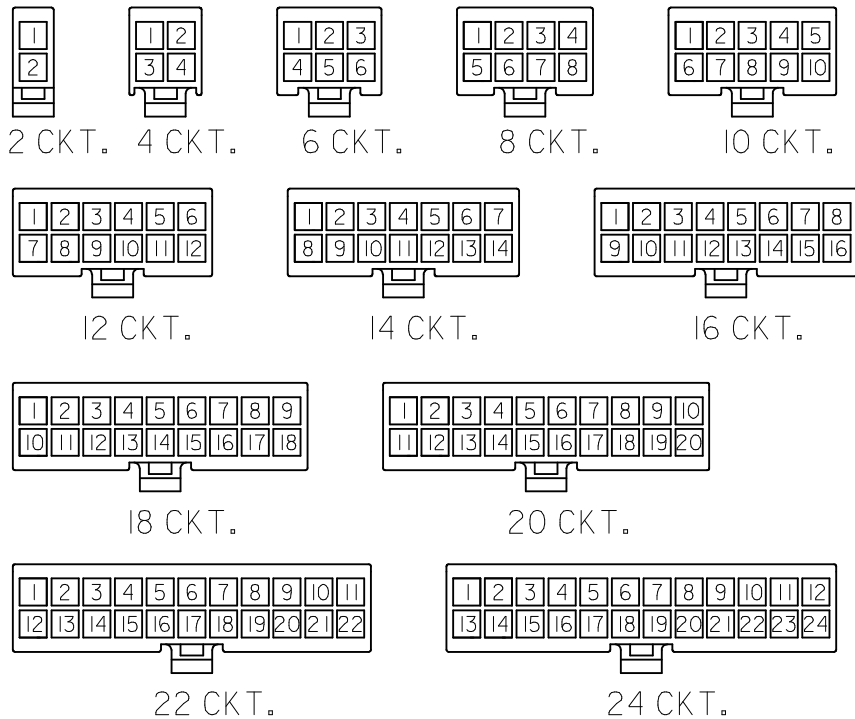
2.031/(51.60)	1.819/(46.20)	.142/ 3.60	24
1.866/(47.40)	1.654/(42.00)		22
1.701/(43.20)	1.488/(37.80)	.129/ 3.30	20
1.535/(39.00)	1.323/(33.60)		18
1.370/(34.80)	1.157/(29.40)	.129/ 3.30	16
1.205/(30.60)	0.992/(25.20)		14
1.039/(26.40)	0.827/(21.00)	.129/ 3.30	12
0.874/(22.20)	0.661/(16.80)		10
0.709/(18.00)	0.496/(12.60)	.129/ 3.30	8
0.543/(13.80)	0.331/(8.40)		6
0.378/(9.60)	0.165/(4.20)	.129/ 3.30	4
0.213/(5.40)	—		2
A	B	C	NO. OF CKTS.

CHANGE 20R-BL TO ACTIVE	QUALITY SYMBOLS
EC NO: UCP2015-0670	▽=0
DRWN: DFOX 2014/08/15	▽=0
CHKD: JBELL 2014/08/15	▽=0
APPR: FSMITH 2014/08/25	▽=0
REV: J13	DESCRIPTION

GENERAL TOLERANCES (UNLESS SPECIFIED)	
mm	INCH
4 PLACES ± .01	± .0005
3 PLACES ± .01	± .0010
2 PLACES ± 0.25	± .015
1 PLACE ± 0.38	± .038
0 PLACE ±	±
ANGULAR ± 3 °	
DRAFT WHERE APPLICABLE MUST REMAIN WITHIN DIMENSIONS	

DIMENSION STYLE	
IN/MM	
DRAWN BY	DATE
S. MOCHIZUKI	'90/02/22
CHECKED BY	DATE
M. FUKUSHIMA	'97/01/08
APPROVED BY	DATE
FSMITH	2011/02/21
MATERIAL NO.	
SEE CHART	
SIZE	C

SCALE	DESIGN UNITS	THIRD ANGLE PROJECTION
4:1	METRIC	☉
TITLE		
MINIFIT JR RECEPTACLE HOUSING DUAL ROW 2-24 CKT		
molex		
DOCUMENT NO.	SHEET NO.	
SD-5557-003	1 OF 2	
THIS DRAWING CONTAINS INFORMATION THAT IS PROPRIETARY TO MOLEX INCORPORATED AND SHOULD NOT BE USED WITHOUT WRITTEN PERMISSION		



CIRCUIT SIZE LAYOUT
(NOT TO SCALE)

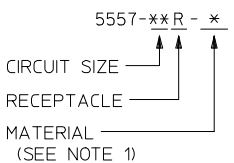
V-0 GLOW WIRE (BLACK)		
	50-36-1667	5557-24R-225 24
*		5557-22R-225 22
*		5557-20R-225 20
	50-36-1668	5557-18R-225 18
	50-36-1669	5557-16R-225 16
	50-36-2293	5557-14R-225 14
	50-36-1674	5557-12R-225 12
	50-36-1671	5557-10R-225 10
	50-36-1713	5557-08R-225 8
	50-36-1672	5557-06R-225 6
	50-30-4461	5557-04R-225 4
	50-36-1673	5557-02R-225 2
	EDP. NO.	ENG. NO. NO. OF CKTS.

V-0 (BLACK)			V-0 (NATURAL)		
	39-03-9242	5557-24R-400 24	39-01-2245	5557-24R-210 24	24
*	39-03-9222	5557-22R-400 22	39-01-2225	5557-22R-210 22	22
*	39-03-9202	5557-20R-400 20	39-01-2205	5557-20R-210 20	20
	39-03-9182	5557-18R-400 18	39-01-2185	5557-18R-210 18	18
	39-03-9162	5557-16R-400 16	39-01-2165	5557-16R-210 16	16
	39-03-9142	5557-14R-400 14	39-01-2145	5557-14R-210 14	14
	39-03-9122	5557-12R-400 12	39-01-2125	5557-12R-210 12	12
	39-03-9102	5557-10R-400 10	39-01-2105	5557-10R-210 10	10
	39-03-9082	5557-08R-400 8	39-01-2085	5557-08R-210 8	8
	39-03-9062	5557-06R-400 6	39-01-2065	5557-06R-210 6	6
	39-03-9042	5557-04R-400 4	39-01-2045	5557-04R-210 4	4
	39-03-9022	5557-02R-400 2	39-01-2025	5557-02R-210 2	2
	EDP. NO.	ENG. NO. NO. OF CKTS.	EDP. NO.	ENG. NO. NO. OF CKTS.	NO. OF CKTS.

* = CONSULT FACTORY FOR AVAILABILITY.

V-2 (GREEN)			V-2 (YELLOW)			V-2 (RED)			V-2 (BLACK)			V-2 (NATURAL)				
		24			24	-	-	24	*	39-01-3245	5557-24R-BL	24	39-01-2240	5557-24R	24	
		22			22	-	-	22		39-01-3225	5557-22R-BL	22	39-01-2220	5557-22R	22	
		20			20	-	-	20		39-01-3205	5557-20R-BL	20	39-01-2200	5557-20R	20	
		18			18	-	-	18	*	39-01-3185	5557-18R-BL	18	39-01-2180	5557-18R	18	
		16			16	-	-	16	*	39-01-3165	5557-16R-BL	16	39-01-2160	5557-16R	16	
		14			14	-	-	14		39-01-3145	5557-14R-BL	14	39-01-2140	5557-14R	14	
		12			12	-	-	12		39-01-3125	5557-12R-BL	12	39-01-2120	5557-12R	12	
		10			10	-	-	10		39-01-3105	5557-10R-BL	10	39-01-2100	5557-10R	10	
		8			8	-	-	8		39-01-3085	5557-08R-BL	8	39-01-2080	5557-08R	8	
*	39-02-7069	5557-06R-GRE	6	*	39-02-8061	5557-06R-YE	6	-	-	6	39-01-3065	5557-06R-BL	6	39-01-2060	5557-06R	6
		4	*	39-02-8041	5557-04R-YE	4	*	39-02-8040	5557-04R-RE	4	39-01-3045	5557-04R-BL	4	39-01-2040	5557-04R	4
*	39-02-7029	5557-02R-GRE	2	*	39-02-8021	5557-02R-YE	2	-	-	2	39-01-3025	5557-02R-BL	2	39-01-2020	5557-02R	2
	EDP. NO.	ENG. NO. NO. OF CKTS.	EDP. NO.	ENG. NO. NO. OF CKTS.	EDP. NO.	ENG. NO. NO. OF CKTS.	EDP. NO.	ENG. NO. NO. OF CKTS.	EDP. NO.	ENG. NO. NO. OF CKTS.	EDP. NO.	ENG. NO. NO. OF CKTS.	EDP. NO.	ENG. NO. NO. OF CKTS.	EDP. NO.	ENG. NO. NO. OF CKTS.

LEGEND



SEE SHEET 1
EC NO: UCP2015-0670
DRWN: DFOX 2014/08/15
CHKD: JBEL 2014/08/15
APPR: FSMITH 2014/08/25

QUALITY SYMBOLS
▽=0
▽=0
▽=0

GENERAL TOLERANCES (UNLESS SPECIFIED)
mm INCH
4 PLACES ± .01 ± .0004
3 PLACES ± .02 ± .0008
2 PLACES ± 0.25 ± .015
1 PLACE ± 0.38 ± .015
0 PLACE ± ±

DIMENSION STYLE IN/MM
SCALE 1:1
DESIGN UNITS METRIC
THIRD ANGLE PROJECTION
DRAWN BY S. MOCHIZUKI DATE '90/02/22
CHECKED BY M. FUKUSHIMA DATE '97/01/08
APPROVED BY FSMITH DATE 2011/02/21
MATERIAL NO. SEE CHART
DOCUMENT NO. SD-5557-003
SHEET NO. 2 OF 2

THIS DRAWING CONTAINS INFORMATION THAT IS PROPRIETARY TO MOLEX INCORPORATED AND SHOULD NOT BE USED WITHOUT WRITTEN PERMISSION