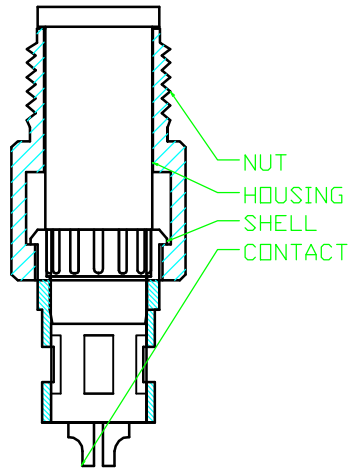
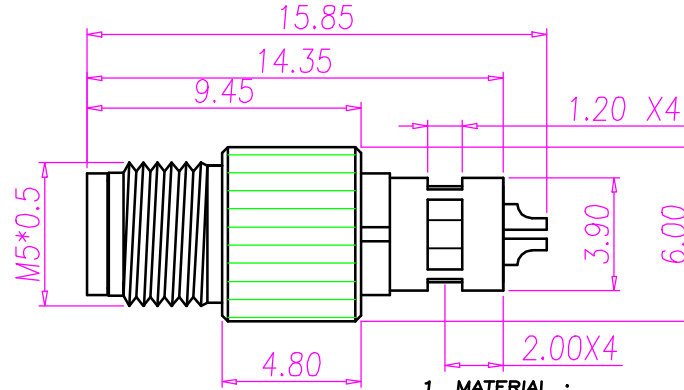
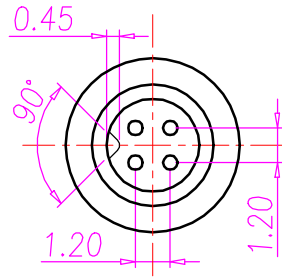


VIEW	TOLERANCE	
	0-10	±1
	11-250	±5
UNIT: mm	251-500	±10
	501-1000	±20
	1001-3000	±50
	3001-5000	±100
	5001- >	±150



1. MATERIAL :
 - 1-1. HOUSING : SEE TABLE A.
 - 1-2. CONTACT : BRASS.
 - 1-3. NUT : BRASS
 - 1-4. SHELL : BRASS.
2. FINISH :
 - 2-1. CONTACT : GOLD FLASH MICRO INCHES MIN.
 - 2-2. NUT : SATING Ni PLATED.
 - 2-3. SHELL : BRIGHT TIN PLATED .
3. ELECTRICAL SPECIFICATION :
 - 3-1. Rated current : 1A
 - 3-2. Rated Voltage : 60V
 - 3-3. Water proof : IP67
4. Environmental :
 - 4-1. Operation Temperature : -20 °C~85°C

5M4P-W-A-8.4-M-1-GF-B-SN (T)	TPU ; COLOR : BLACK
5M4P-W-A-8.4-M-1-GF-B-SN (P)	PBT ; COLOR : BLACK
PART NO	MATERIAL

Date	03.11.2014	Rev.	Revision Detail	Rev.Dt.	Rev.by	Part No		
Designed by	Yeşim AKSOY	-				TT-5M4P-W-A-8.4-P-2-GF		
Checked by	Fatih BOLACA							
						Drawing Nr.	Scale	Sheet No
						-	NONE	1/1



1

2

3

4

5

6

A4