

1

2

3

4

5

6

A

A

B

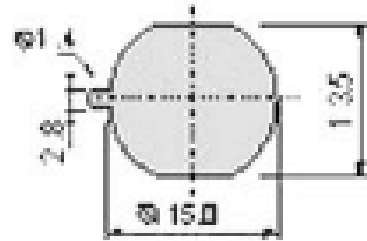
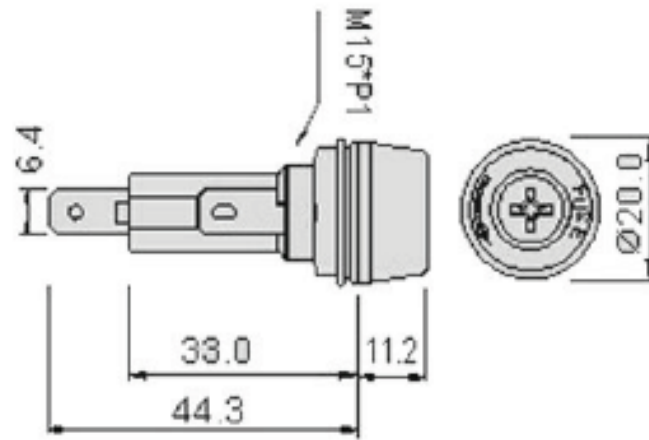
B


C

C

D

D



Date	Rev.	Revision Detail	Rev.Dt.	Rev.by	Part No		
-	-				<b>FS - 07</b>		
Designed by	-						
Checked by	-						
					Drawing Nr.	Scale	Sheet No
					-	NONE	1/1

1

2

3

4

5

6

A4

Form No: FR-01/004 IYT: -10/2003 Rev:06 09/01/2012