
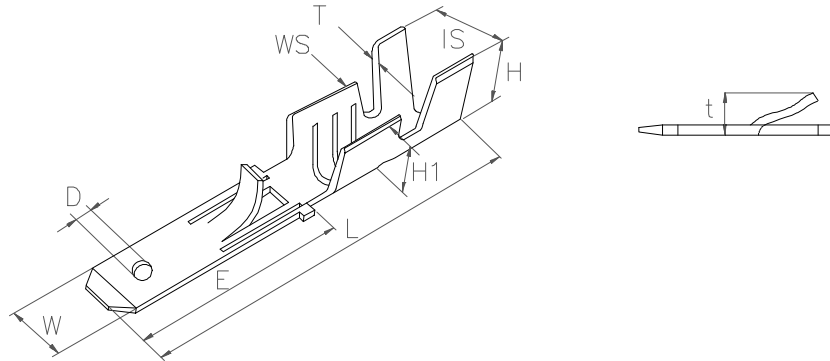


VIEW	TOLERANCE	
	0-10	±1
	11-250	±5
	251-500	±10
	501-1000	±20
	1001-3000	±50
UNIT: mm	3001-5000	±100
	5001->	±150

▲ Order Code : C110-MT

**TTAF
APPROVAL**



DIMENSION: (mm)

T= 0.50±0.03
L= 20.7±0.35
E= 13.0±0.25
D= 1.20±0.20
W= 2.80±0.30
IS= 4.7±0.30
WS= 3.4±0.25
H= 4.10±0.25
H1= 3.2±0.15
t= 1.80±0.25

Date	30.11.2016	Rev.	-	Revision Detail		Rev.Dt.		Rev.by		Part No	C110-MT		
Designed by	Yeşim AKSOY	Checked by	Fatih BOLACA							Drawing Nr.	Scale	Sheet No	
										NONE	1/1		

