

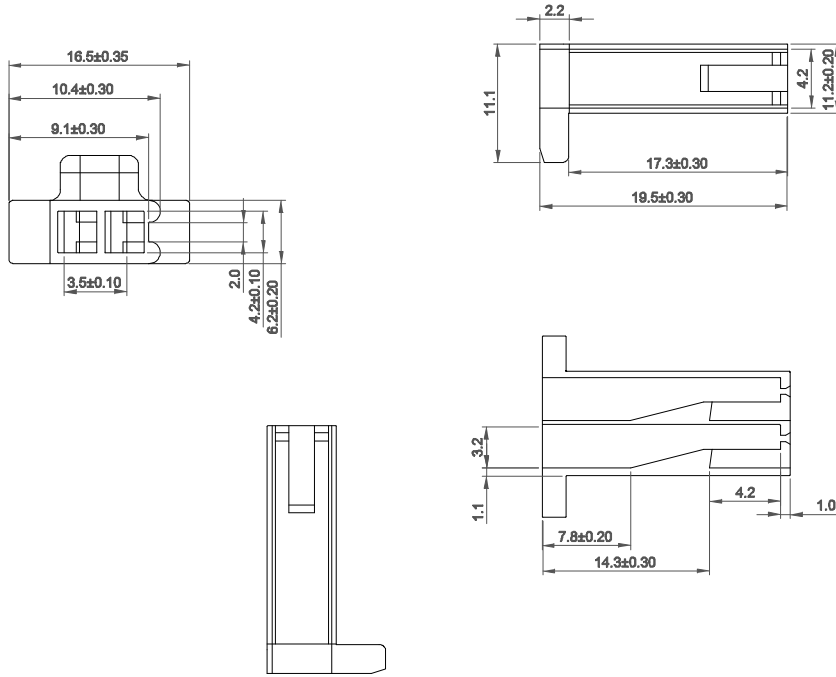
VIEW	TOLERANCE	
	0-10	±1
	11-250	±5
	251-500	±10
	501-1000	±20
UNIT: mm	1001-3000	±50
	3001-5000	±100
	5001- >	±150

Δ Order Code : C110-02-M

**TTAF
APPROVAL**

Δ Material : Nylon 66

Color : Natural
Poles : 2



Date	30.11.2016	Rev.	-	Revision Detail		Rev.Dt.		Rev.by		Part No	C110-02-M		
Designed by	Yeşim AKSOY									Drawing Nr.	Scale	Sheet No	
Checked by	Fatih BOLACA									NONE	1/1		

1

2

3

4

5

6

A4