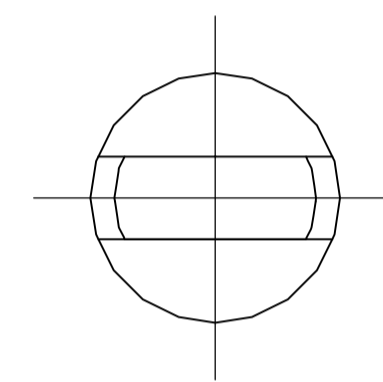
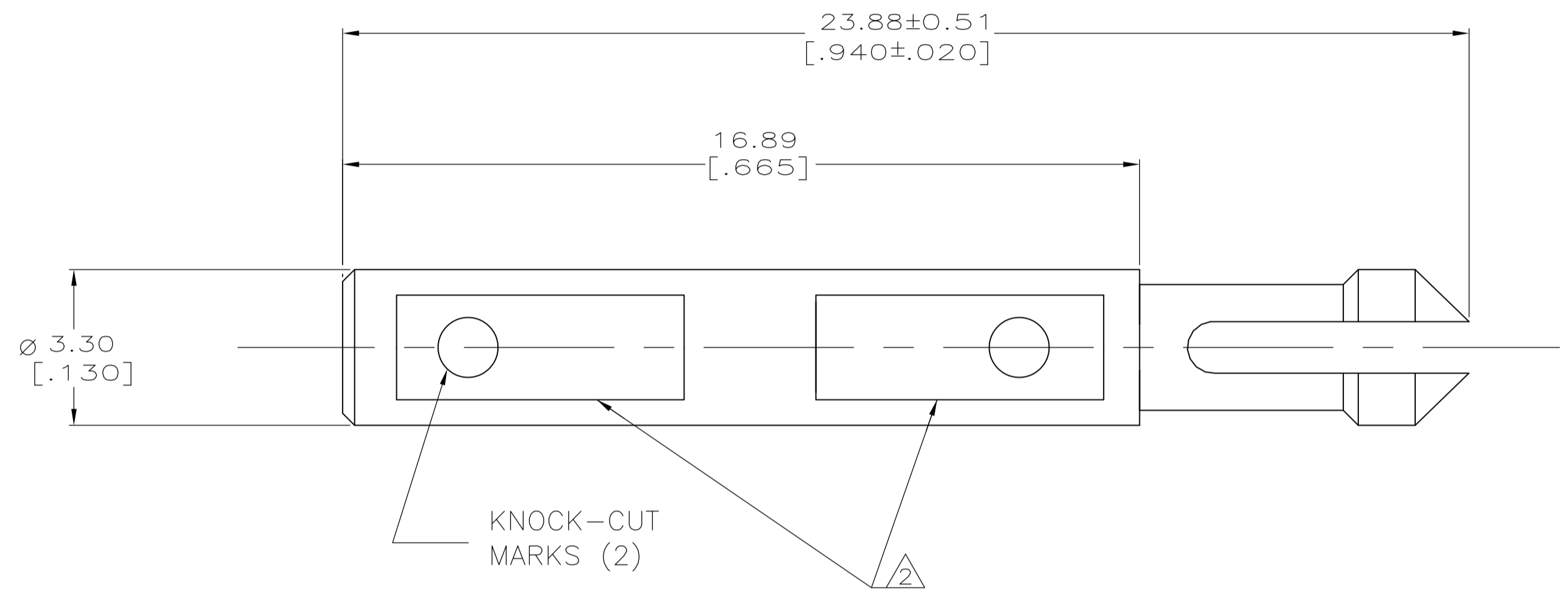
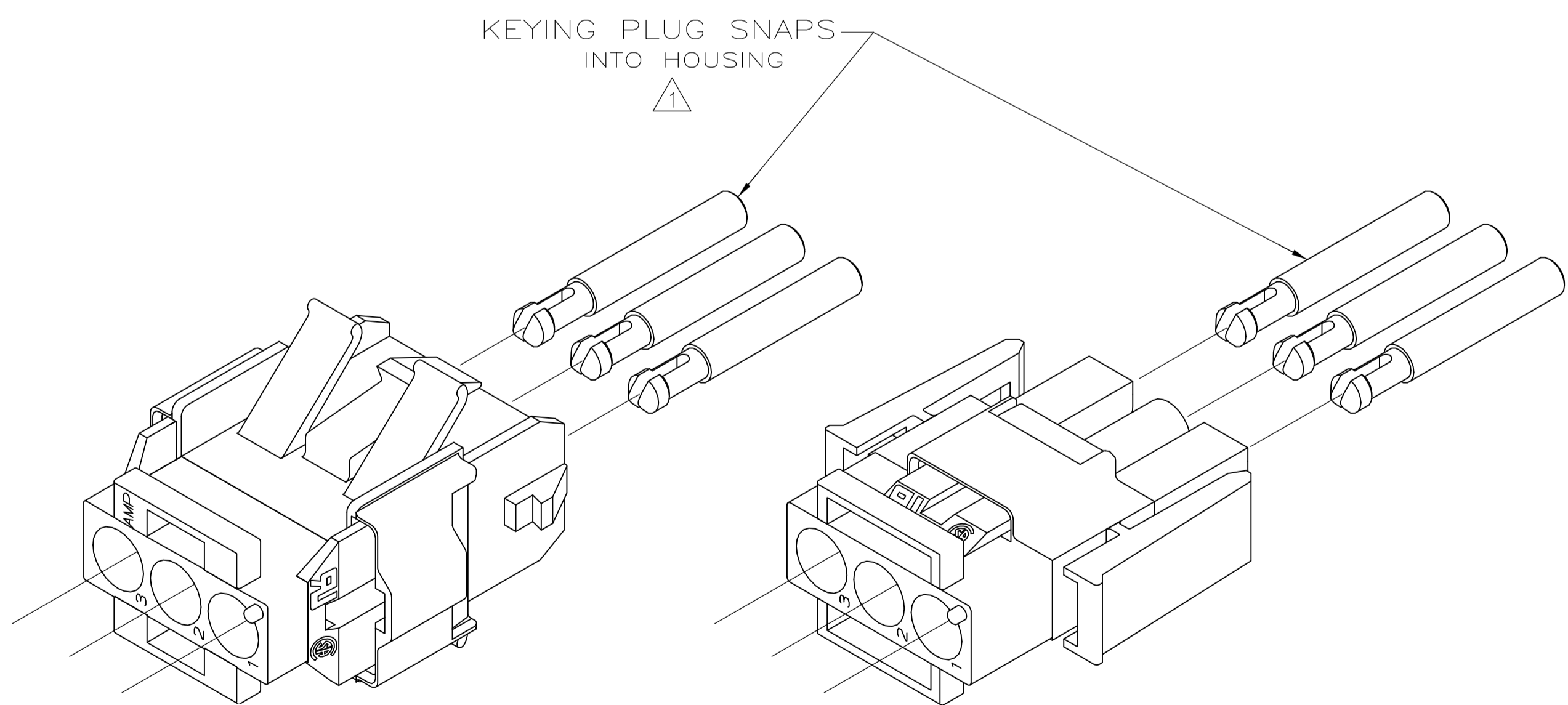


LOC	DIST	REVISIONS			
CM	53	REV	DATE	BY	APP'D
		D	REVISED PER ECR-11-002201	03FEB11	HMR TM



- 1 TO BE USED WITH UNIVERSAL MATE-N-LOK™ II PLUGS AND CAPS.
- 2 AMP LOGO EITHER LOCATION.
- 3 DIMENSIONS IN BRACKETS ARE IN INCHES.



APPLICATION DETAIL
SCALE 2:1

770377-1
PART NUMBER

THIS DRAWING IS A CONTROLLED DOCUMENT.		DWG	K. SALMON	6-18-92	Tyco Electronics Corporation Harrisburg, PA 17105-3608
		CHK	R. SWING	6-18-92	
DIMENSIONS:		APP'D	M. TRULL	6-24-92	NAME KEYING PLUG, UNIVERSAL MATE-N-LOK™ II
mm [INCHES]		PRODUCT SPEC			
TOLERANCES UNLESS OTHERWISE SPECIFIED:		APPLICATION SPEC			SIZE A1
0. PLC	± -	WEIGHT			
1. PLC	± -	SCALE			10:1
2. PLC	± -	SHEET			1 OF 1
3. PLC	± 0.13 [.005]	REV			D
4. PLC	± -	CUSTOMER DRAWING			
ANGLES	± -				
MATERIAL	NYLON,UL94V-0				
FINISH	-				