

THIS DRAWING IS UNPUBLISHED.

RELEASED FOR PUBLICATION

,19

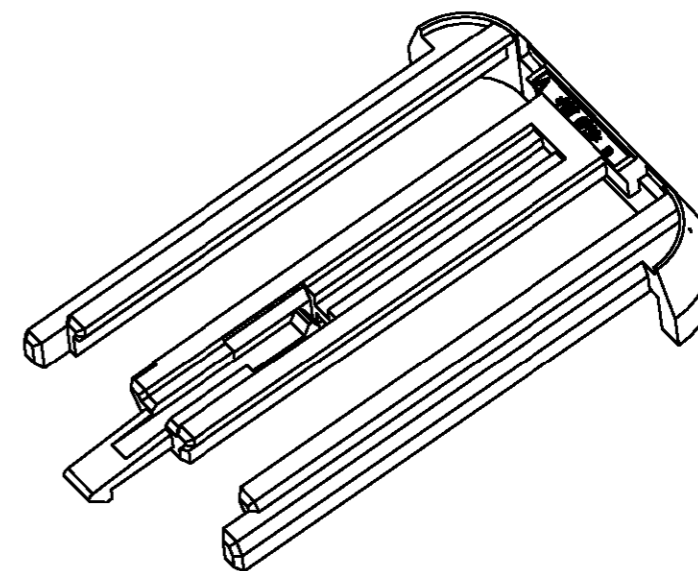
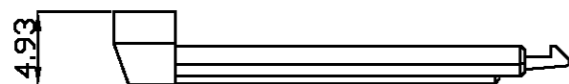
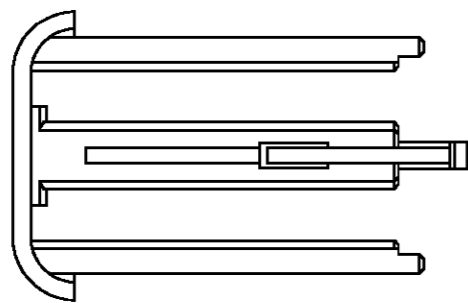
© COPYRIGHT 19

BY AMP INCORPORATED. ALL RIGHTS RESERVED.

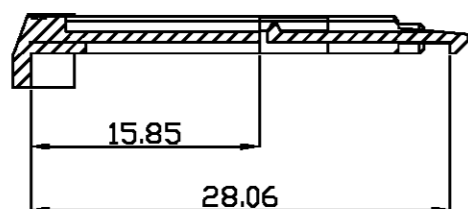
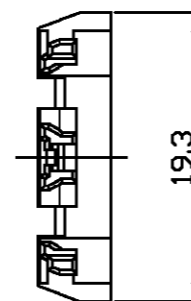
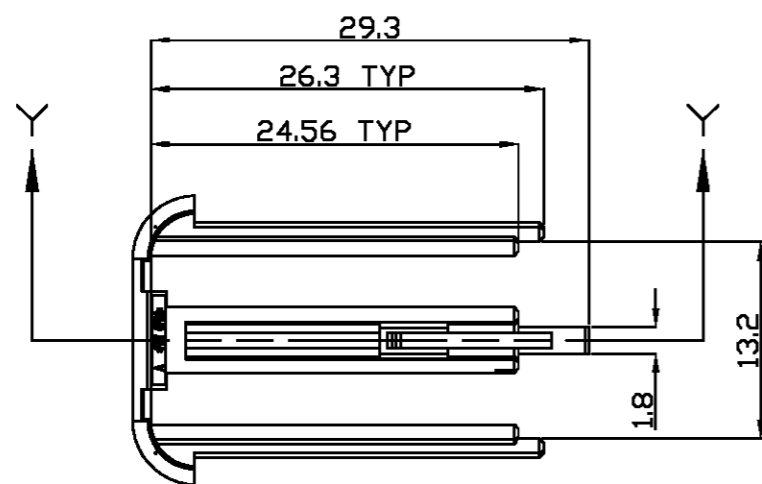
LDC DS DIST

REVISIONS

P	LTR	DESCRIPTION	DATE	DWN	APVD
	□	RELEASED(FC00-0162-00)	15,DEC,'00	HS	CS



3-D VIEW
SCALE 3/1



SECTION Y-Y

NOTES:

1. MATERIAL - P.B.T GF30, COLOR - YELLOW.
2. GENERAL TOLERANCE IS ±0.3
3. APPLIED PLUG ASSEMBLY P/N: 368383.

THIS DRAWING IS A CONTROLLED DOCUMENT FOR AMP INCORPORATED. IT IS SUBJECT TO CHANGE AND THE CONTROLLING ENGINEERING ORGANIZATION SHOULD BE CONTACTED FOR THE LATEST REVISION.

DWN HS BAE

CHK BM JANG

APVD CS LEE

PRODUCT SPEC

APPLICATION SPEC

WEIGHT

AMP

AMP KOREA,
kyungsan, korea

NAME

MQS RETAINER HSG FOR 40POS

SIZE

CAGE CODE

DRAWING NO

A3

00779

C- 368388

SCALE 2/1

SHEET 1 OF 1

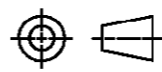
REV □

DIMENSIONS:
MM

TOLERANCES UNLESS OTHERWISE SPECIFIED

0 <XX<10 ± 0.2
 10<XX<30 ± 0.25
 30<XX ± 0.3
 ANGLES ± 3°

3rd ANGLE PROJECTION



MATERIAL

SEE NOTE

FINISH

N/A