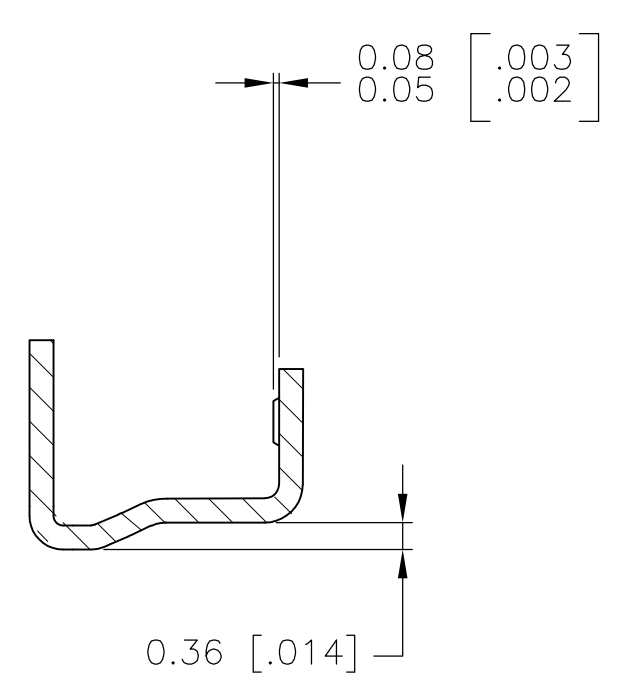
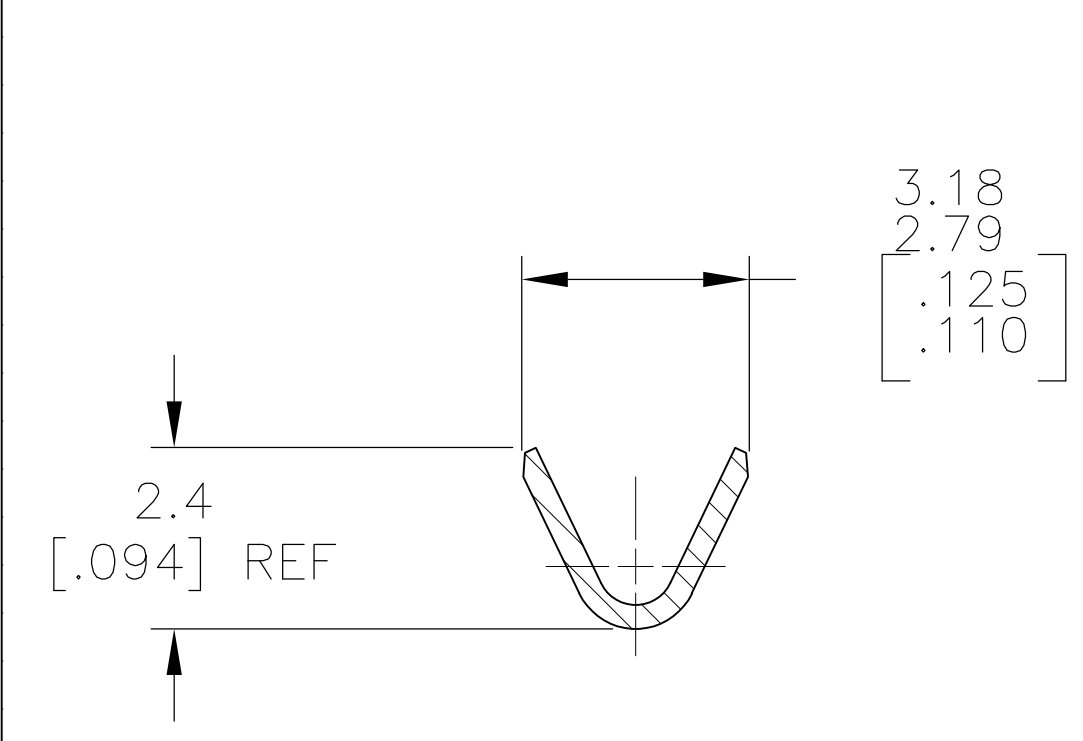
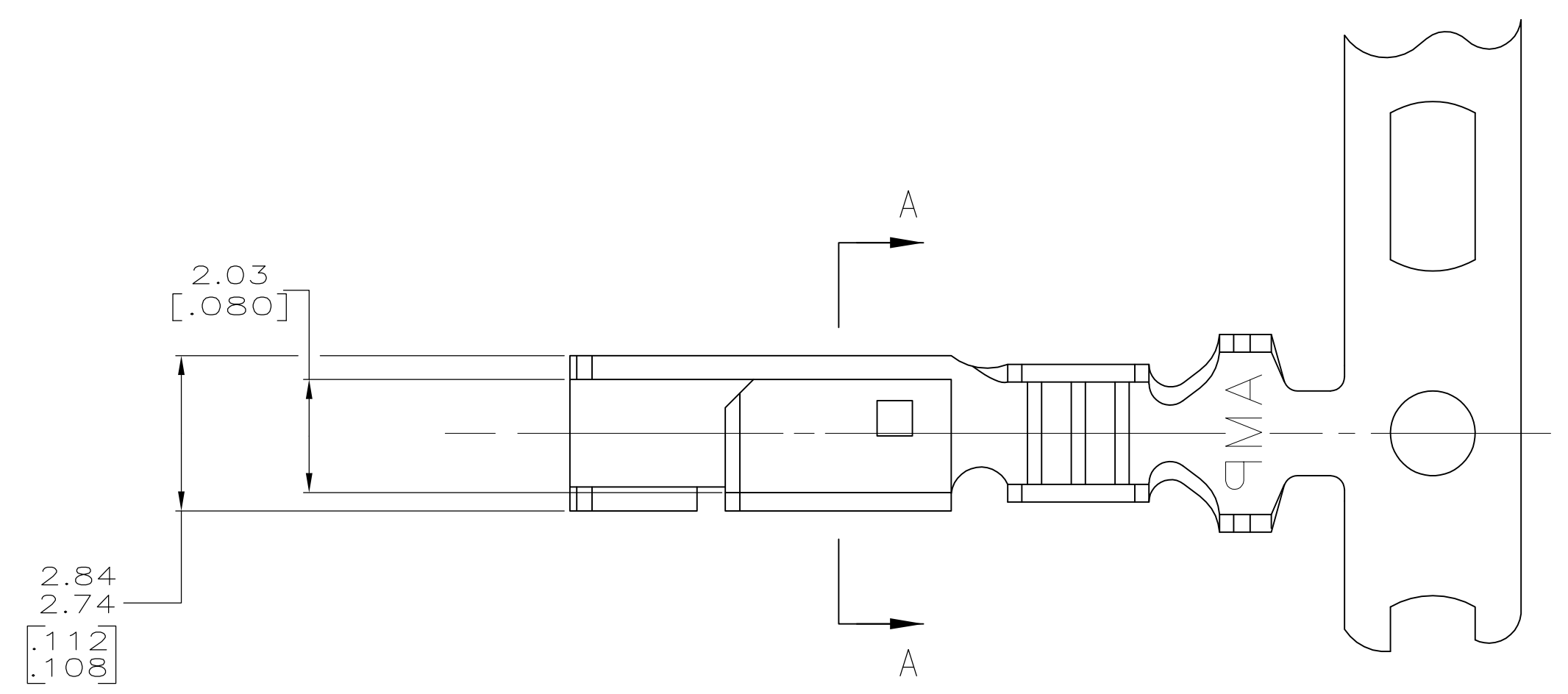


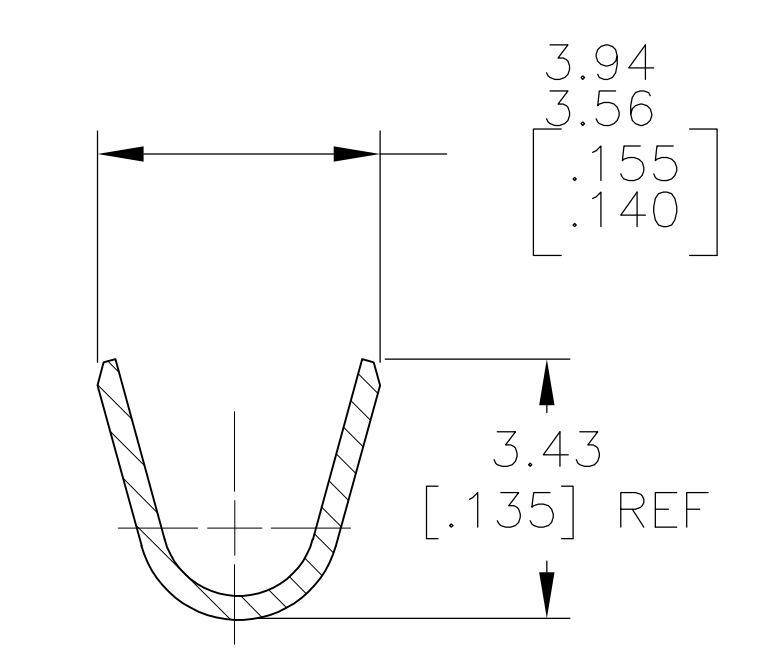
LOC	DIST	REVISIONS			
P	LTR	DESCRIPTION	DATE	DWN	APVD
CM	00				
K1		REVISED PER ECO-11-004587	11MAR11	RK	HMR



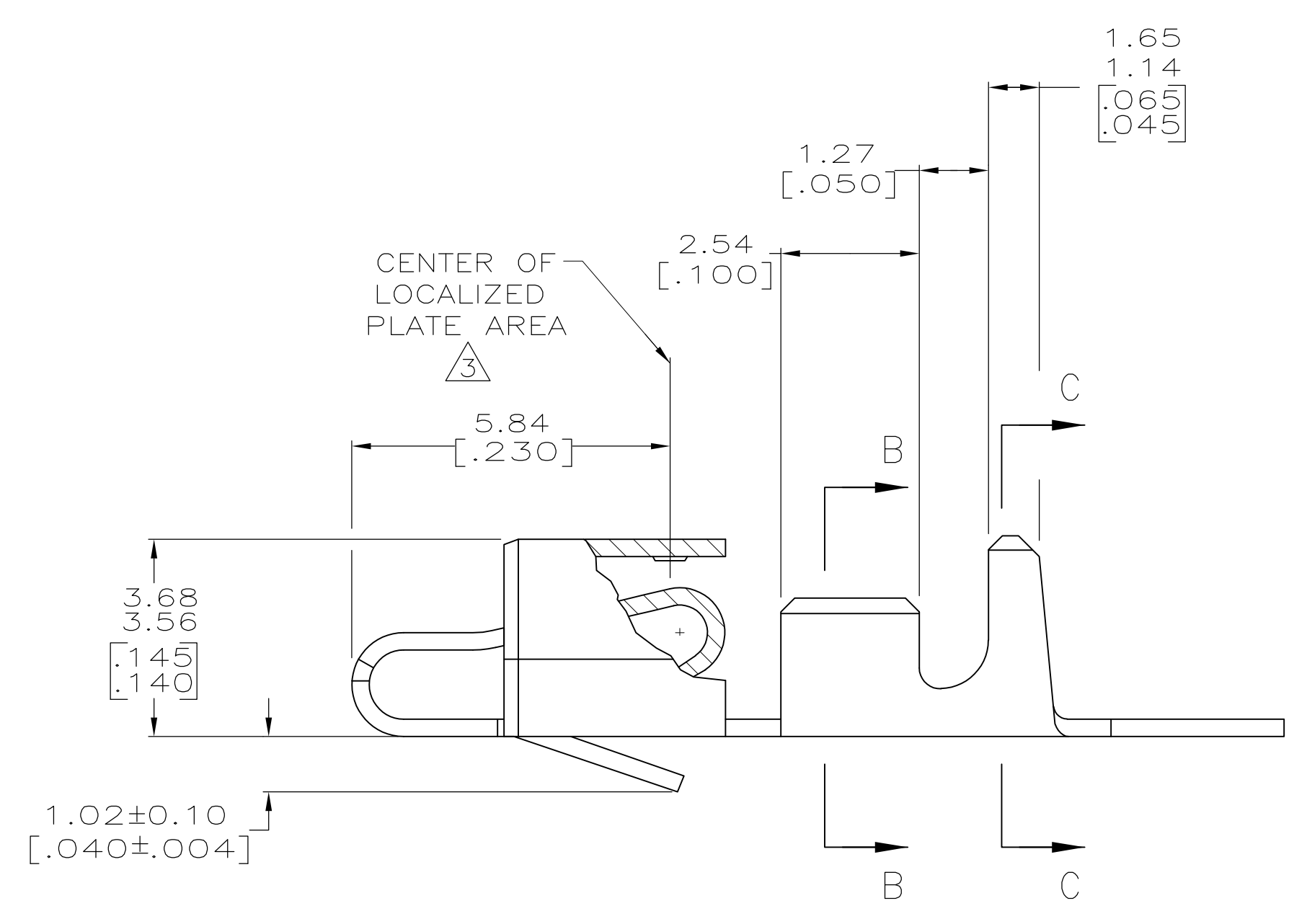
SECTION A-A



SECTION B-B



SECTION C-C



- INSULATION RANGE: 1.09–2.79 [.043–.110]
WIRE RANGE: 0.2–0.9 mm² (24–18) AWG.
- 0.00203 [.000080] MIN BRIGHT TIN-LEAD OVER
0.00127 [.000050] MIN NICKEL.
- 0.00076 [.000030] MIN THICK GOLD STRIPES IN
LOCALIZED PLATE AREA ON BEAM AND DIMPLE OVER
0.00127 [.000050] MIN THICK NICKEL OVER ENTIRE
CONTACT.
- DIMENSIONS IN BRACKETS ARE IN INCHES.
- 0.00203 [.000080] MIN TIN OVER
0.00127 [.000050] MIN NICKEL.

△3	3-770476-1
△3	770476-2
△2	770476-1
FINISH	PART NO.

METRIC

THIS DRAWING IS A CONTROLLED DOCUMENT.

DIMENSIONS: mm [INCHES]	TOLERANCES UNLESS OTHERWISE SPECIFIED:	DIN K. WHITAKER 180CT2004	CHK J. ELLIS	NAME
0 PLC ± -	1 PLC ± -	APVD J. ELLIS	PRODUCT SPEC	STE TE Connectivity
2 PLC ± -	3 PLC ± .005	APPLICATION SPEC	SIZE	RECEPTACLE, SL-156
4 PLC ± -	ANGLES ± 0°30'	WEIGHT	A1 00779C=770476	RESTRICTED TO
MATERIAL	FINISH	CUSTOMER DRAWING	SCALE 10:1	SHEET 1 OF 1

Mouser Electronics

Authorized Distributor

Click to View Pricing, Inventory, Delivery & Lifecycle Information:

[TE Connectivity:](#)

[3-770476-1](#)