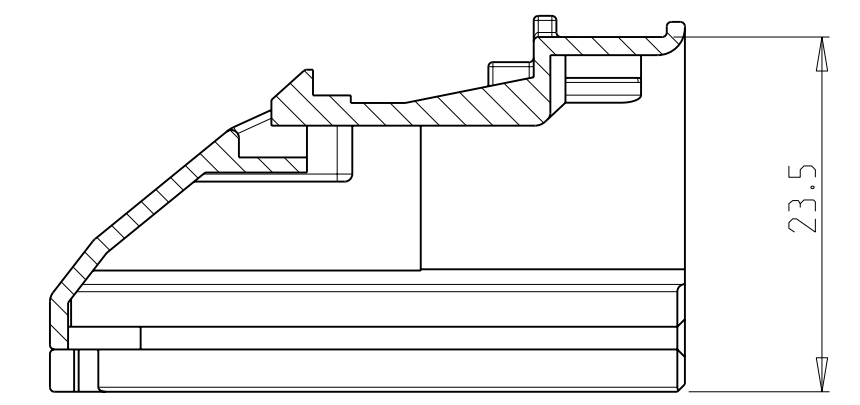
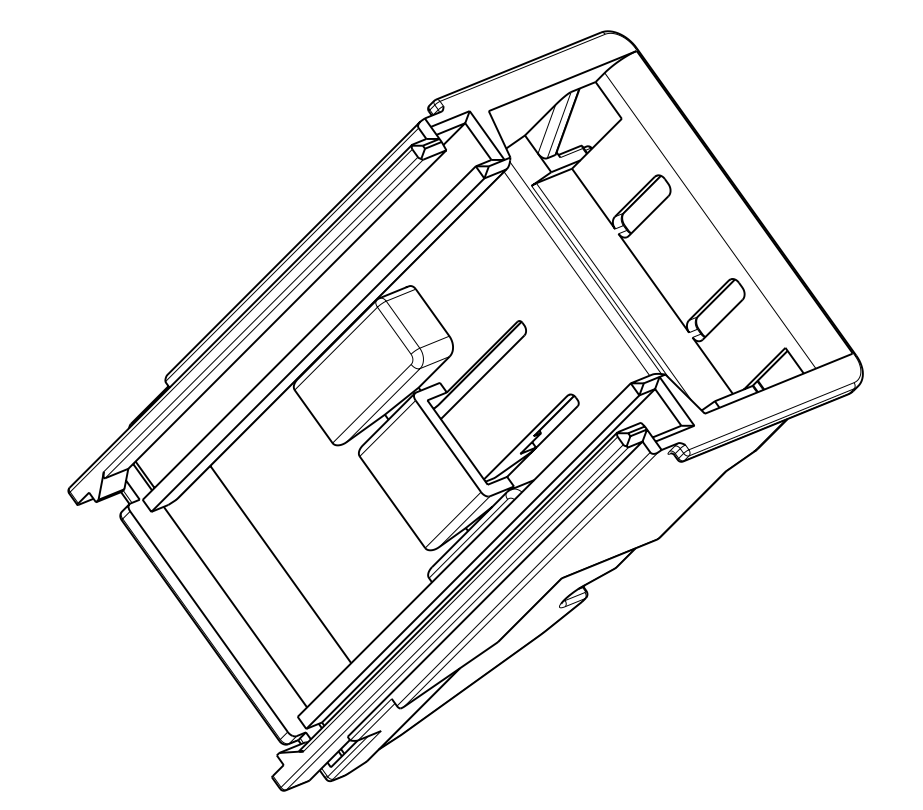
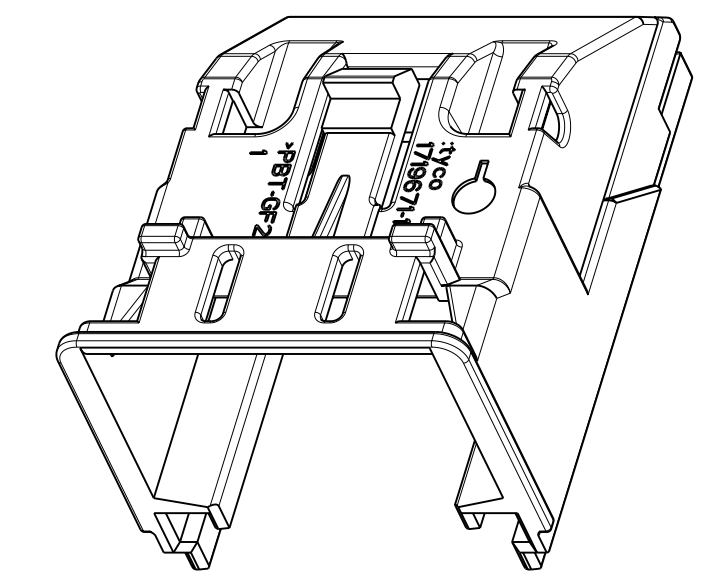
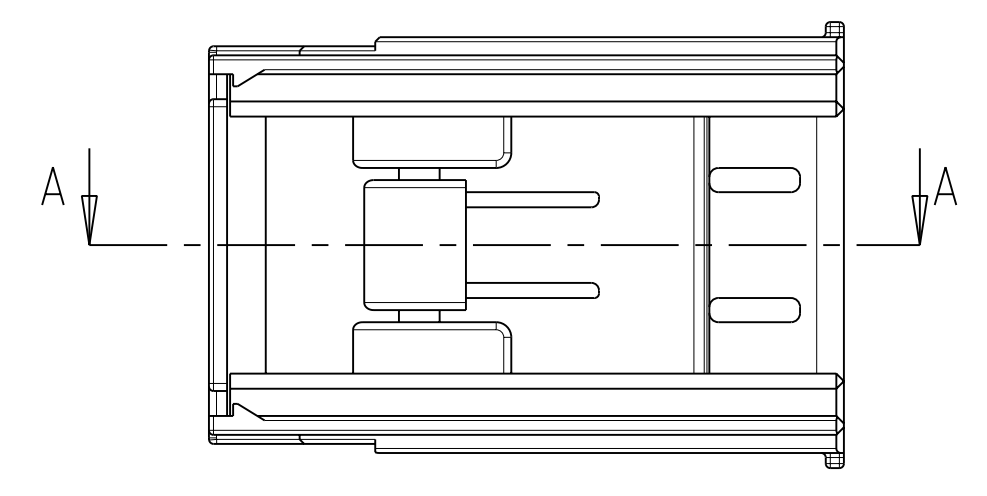
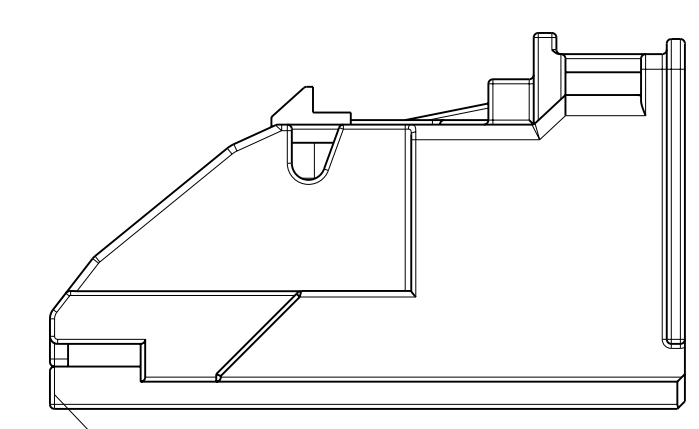
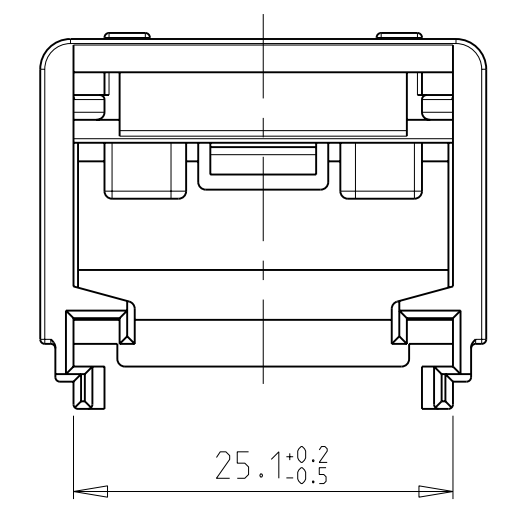


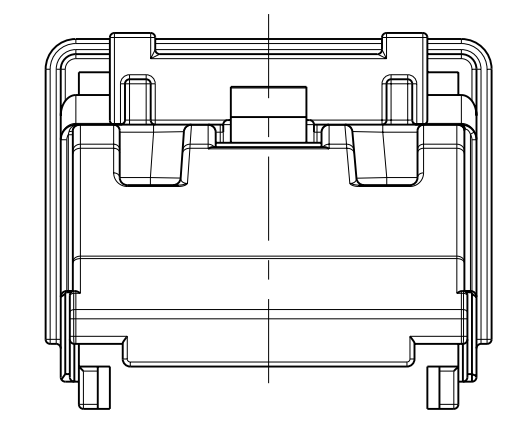
| LOC | DIST | REVISIONS             |           |     |      |
|-----|------|-----------------------|-----------|-----|------|
| REV | LTB  | DESCRIPTION           | DATE      | DWN | APVD |
| A   |      | NEW PART. NEW DRAWING | 26MAY2006 | MK  | KR   |
| B   |      | E-06-028097           | 04JAN2007 | MK  | KR   |
| B1  |      | ECR-07-011418         | 15MAY2007 | GP  | GM   |
| B2  |      | E-07-028159           | 22NOV2007 | MK  | GM   |



A-A



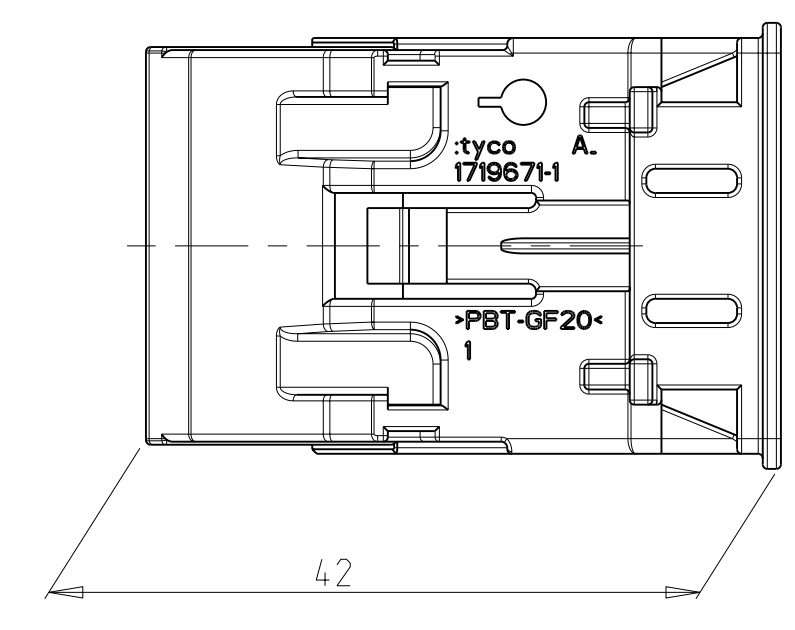
MEASURE POINT FOR DIMENSION 25.1



NOTES:  
Bemerkungen:

- PACKAGING: LOOSE PIECE IN CARDBOARD BOX  
Verpackung: Teile lose beigelegt in Karton
- MATED WITH:  
verwendet mit:  

|                   |           |
|-------------------|-----------|
| REC. HSG. 48 POS. | 0-1719678 |
| REC. HSG. 48 POS. | 0-1719683 |
| REC. HSG. 48 POS. | 0-1418416 |
| REC. HSG. 48 POS. | 0-1670067 |
| REC. HSG. 48 POS. | 0-1670068 |
| REC. HSG. 48 POS. | 0-1670069 |



| PART NO     | REVISION | MATERIAL | DESCRIPTION                     | COLOUR | ITEM NO. |
|-------------|----------|----------|---------------------------------|--------|----------|
| 0-1719671-1 | B        | PBT-GF20 | COVER FOR 48 POS. PCM CONNECTOR | BLACK  | 1        |

| DIMENSIONS:      |            | TOLERANCES UNLESS OTHERWISE SPECIFIED: |            | DWN                   |           | NAME                      |  |
|------------------|------------|--|------------|-----------------------|-----------|---------------------------|--|
| mm               | 0 PLC ±0.3 | 1 PLC ±0.3                             | 2 PLC ±0.3 | M. Kressmann          | 24MAY2006 | Tyco Electronics          |  |
|                  | 3 PLC ±0.3 | 4 PLC ±0.3                             | ANGLES ±°  | K.ROTH                | 26MAY2006 | Tyco Electronics AMP GmbH |  |
|                  | FINISH     |  |            |                       |           | D - 64625 Bensheim        |  |
| MATERIAL         |            |  |            | PRODUCT SPEC          |           |                           |  |
| CUSTOMER DRAWING |            |  |            | APPLICATION SPEC      |           |                           |  |
| SCALE            |            |  |            | RESTRICTED TO         |           |                           |  |
| 2:1              |            |  |            | A   00779   C=1719671 |           |                           |  |
| SHEET            |            |  |            | REV                   |           |                           |  |
| 1 OF 1           |            |  |            | B2                    |           |                           |  |