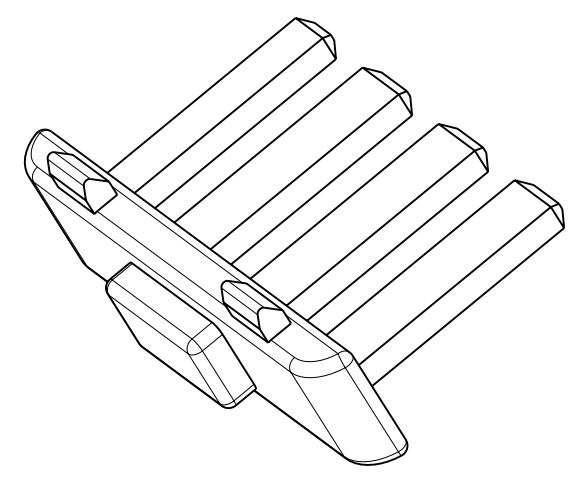
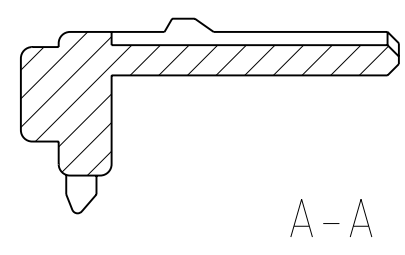
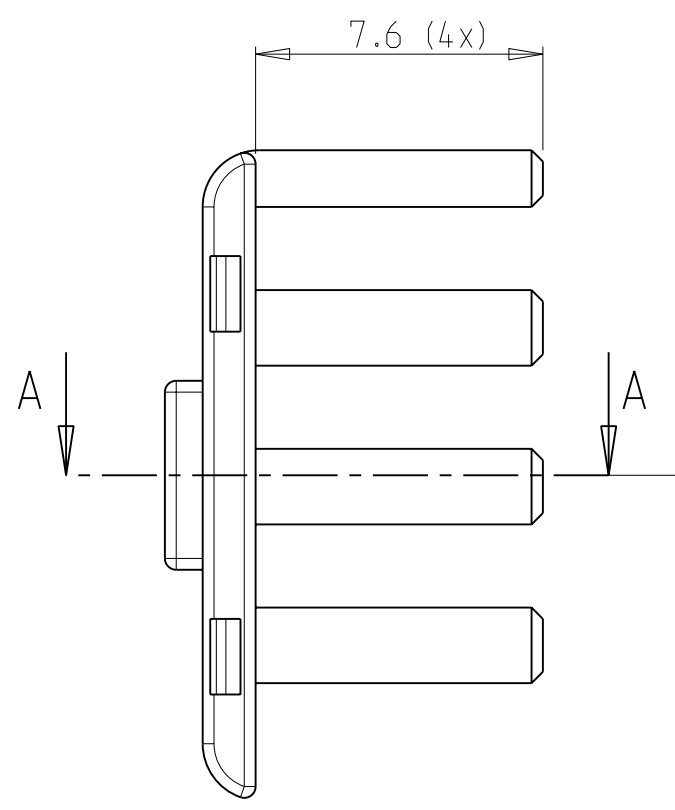
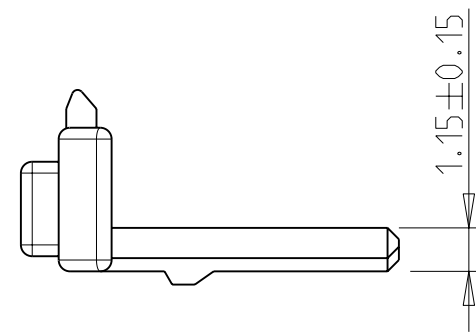
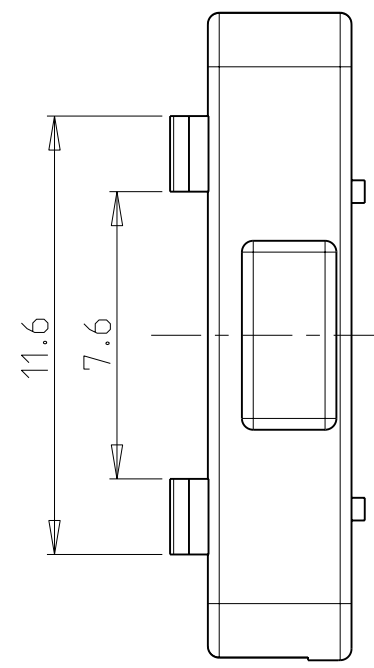
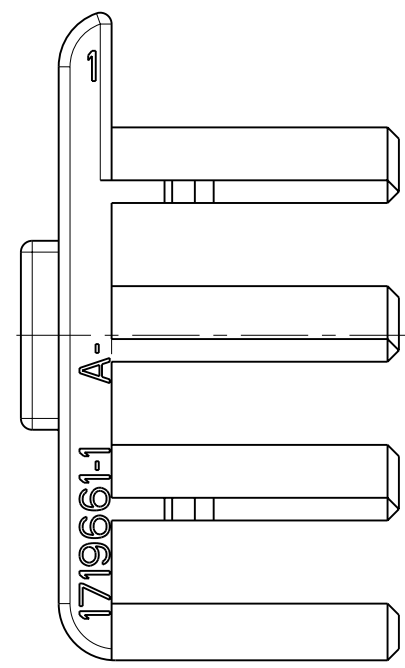
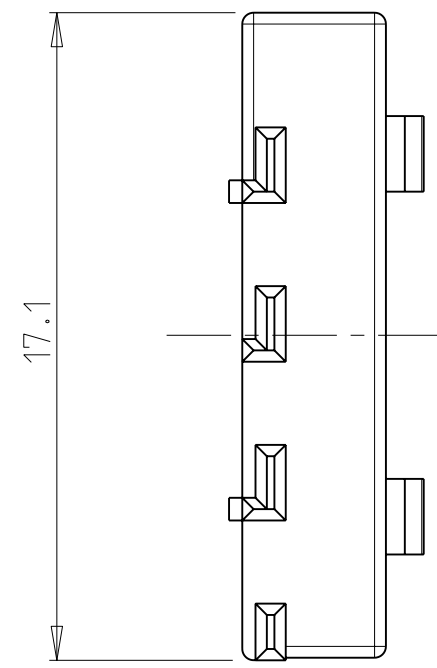


THIS DRAWING IS UNPUBLISHED
 RELEASED FOR PUBLICATION
 2006
 © COPYRIGHT 2006 BY TYCO ELECTRONICS CORPORATION. ALL RIGHTS RESERVED.

LOC	DIST	REVISIONS			
P	LTR	DESCRIPTION	DATE	DWN	APVD
A	-	NEW PART, NEW DRAWING	24MAY2006	MK	KR
B	-	E-06-028097	04JAN2007	MK	KR
B1	-	E-07-028159	22NOV2007	MK	GM



- NOTES:
Bemerkungen:
- 1 PACKAGING: LOOSE PIECE IN CARDBOARD BOX
Verpackung: Teile lose beige stellt in Karton
 - 2 MATED WITH:
verwendet mit:
- | | |
|-------------------|-----------|
| REC. HSG. 32 POS. | 0-1719675 |
| REC. HSG. 32 POS. | 0-1719682 |
| REC. HSG. 32 POS. | 0-1418392 |
| REC. HSG. 32 POS. | 0-1670065 |
| REC. HSG. 32 POS. | 0-1670066 |
| REC. HSG. 48 POS. | 0-1719678 |
| REC. HSG. 48 POS. | 0-1719683 |
| REC. HSG. 48 POS. | 0-1418416 |
| REC. HSG. 48 POS. | 0-1670067 |
| REC. HSG. 48 POS. | 0-1670068 |
| REC. HSG. 48 POS. | 0-1670069 |

0-1719661-1	B	PA66-GF25	2NDRY. LOCK FOR TYCO 1.5 TERMINALS	RED	1
PART NO	REVISION	MATERIAL	DESCRIPTION	COLOUR	ITEM NO

THIS DRAWING IS A CONTROLLED DOCUMENT FOR TYCO ELECTRONICS CORPORATION IT IS SUBJECT TO CHANGE AND THE CONTROLLING ENGINEERING ORGANIZATION SHOULD BE CONTACTED FOR THE LATEST REVISION.		DWN M. Kressmann 19.05.2006	tyco Electronics AMP GmbH D - 64625 Bensheim		
DIMENSIONS: mm		CHK K.Roth 24.05.2006	NAME 2NDRY. LOCK FOR 32/48 POS. 2NDRY. LOCK		
TOLERANCES UNLESS OTHERWISE SPECIFIED: 0 PLC ±0.3 1 PLC ±0.3 2 PLC ±0.3 3 PLC ± 4 PLC ± ANGLES ±1° FINISH		APVD -	PRODUCT SPEC -	APPLIC. SPEC -	RESTRICTED TO -
MATERIAL -		WEIGHT -	SIZE A2	CAGE CODE 00779	DRAWING NO 1719661
CUSTOMER DRAWING			SCALE 5:1	SHEET 1 OF 1	REV B1