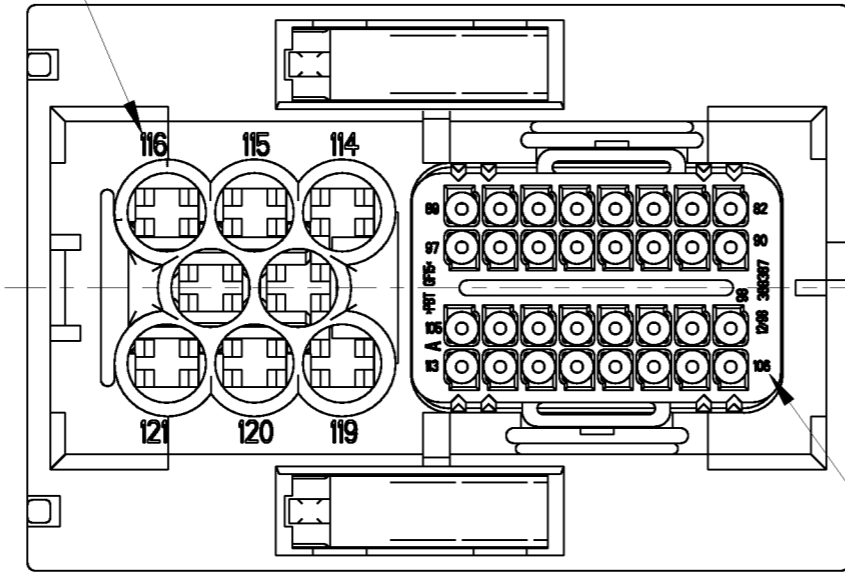


THIS DRAWING IS UNPUBLISHED. RELEASED FOR PUBLICATION 20
 © COPYRIGHT 20 ALL RIGHTS RESERVED.

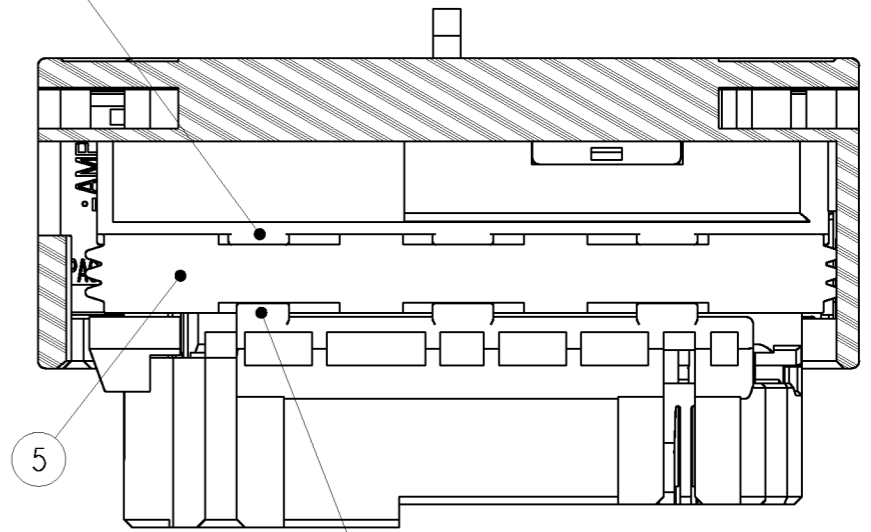
LOC		DIST		REVISIONS			DATE	DWN	APVD
P	LTR	DESCRIPTION							
	A2	REVISED PER ECO-11-005140			09APR2011	RK	HMR		

CIRCUIT NUMBER



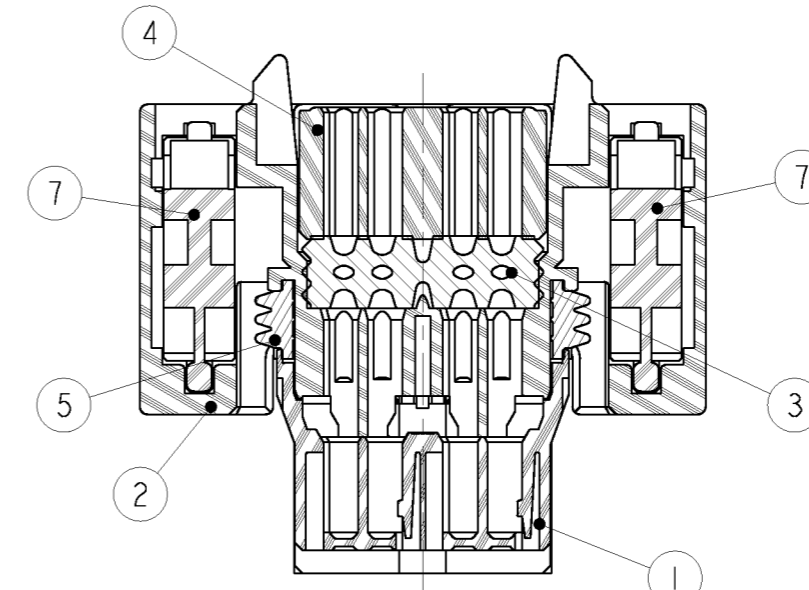
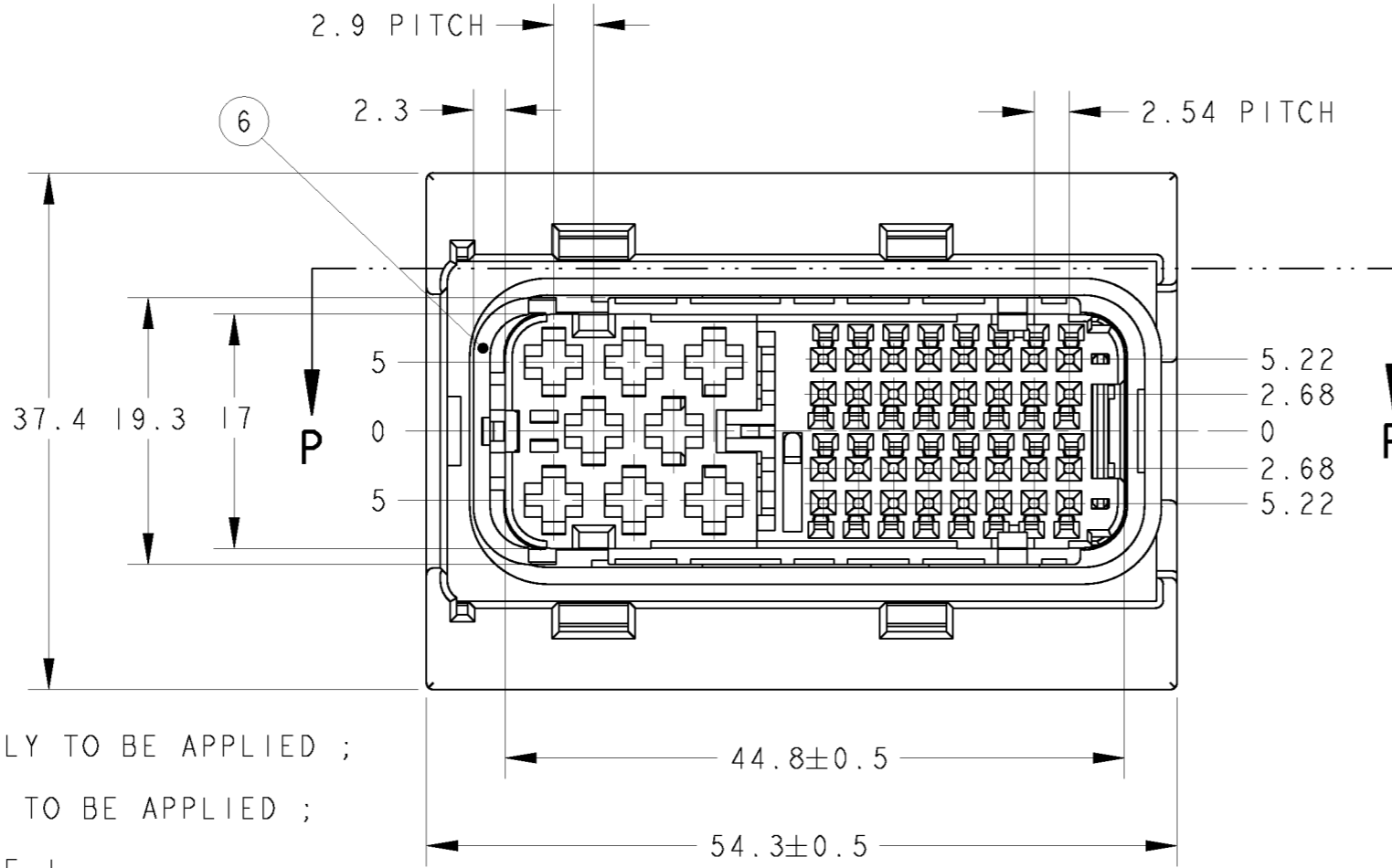
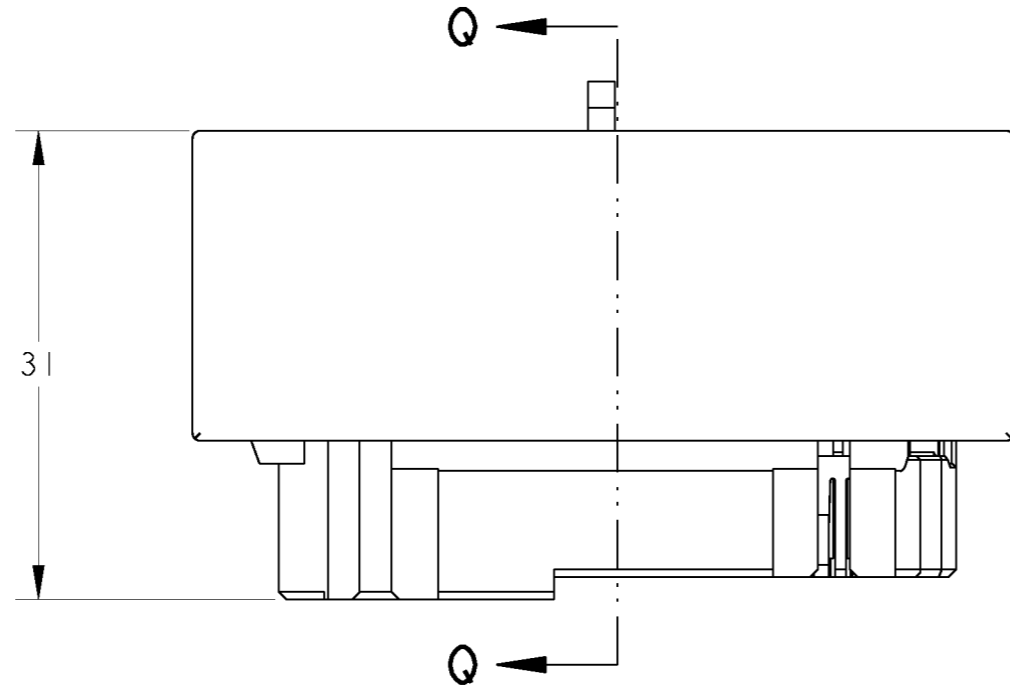
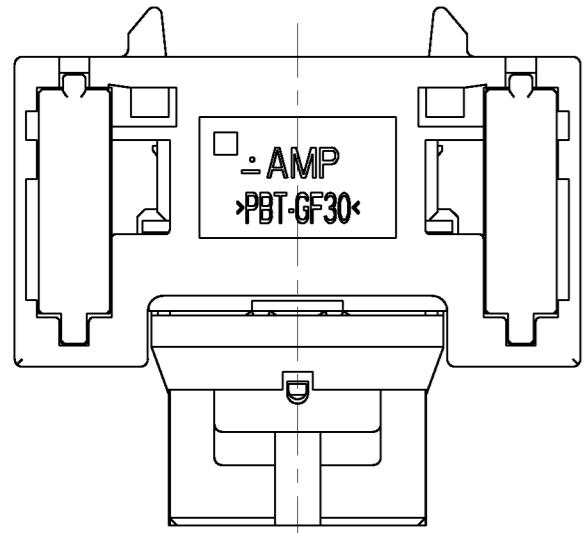
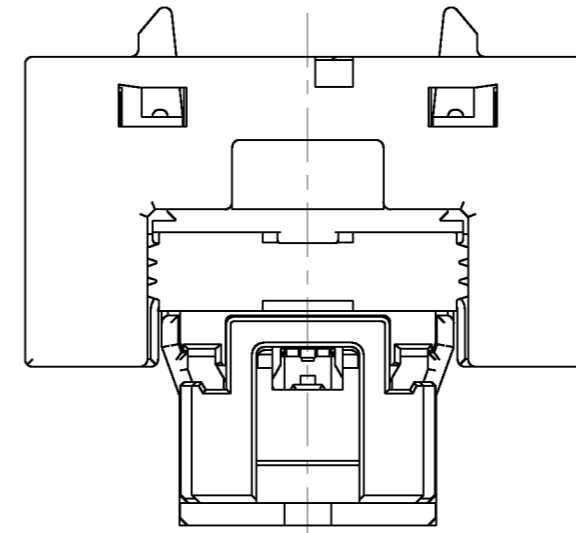
CIRCUIT NUMBER

BOSS OF MAIN CAVITY BLOCK. IT HOLD A PERIPHERAL SEAL. (8PLC)

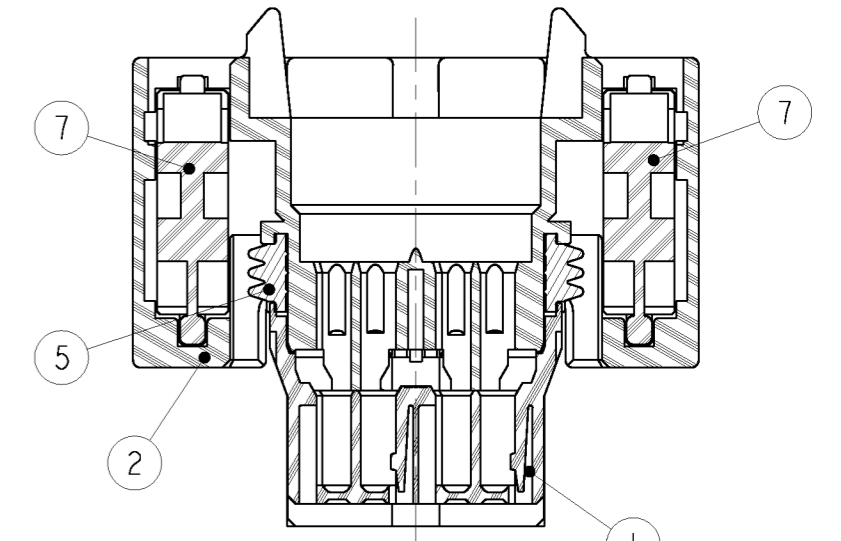


P-P

BOSS OF FRONT CAVITY BLOCK. IT HOLD A PERIPHERAL SEAL. (6PLC)



Q-Q 1473252-1



Q-Q 1473252-2

- PART NUMBER OF LEVER ASSEMBLY TO BE APPLIED ; P/N 1473255-1
- PART NUMBER OF MQS RETAINER TO BE APPLIED ; P/N 368388-1
- APPLIED TERMINAL ; SEE TABLE-I
- PART NUMBER OF CAP HOUSING TO BE MATED ; P/N 1241434-1
- INSTRUCTION SHEET NO ; 411-78008

- 適合レバーアセンブリ型番は、P/N 1473255-1
- 適合MQSリテーナ型番は、P/N 368388-1
- 適合端子はTABLE-I参照
- 嵌合相手型番は、P/N 1241434-1
- 取扱説明書 NO ; 411-78008

TABLE-I

CONTACT	MQS		JPT		
PART NUMBER	968220-1	968221-1	964282-2	964286-2	964273-2
WIRE SIZE (mm ²)	0.2~0.5	0.75	0.2~0.5	0.5~1.0	>1.0~2.5

2	2	PA66	SLIDER	BLACK	7
1	1	PBT	JPT RETAINER	YELLOW	6
1	1	SILICONE	PERIPHERAL SEAL	ORANGE	5
-	1	PBT	SEAL RETAINER	BLACK	4
-	1	SILICONE	32POS FAMILY SEAL	ORANGE	3
1	1	PBT	MAIN CAVITY BLOCK	BLACK	2
1	1	PA66	FRONT CAVITY BLOCK	BLACK	1
-2	-1	MATERIAL	PART NAME	FINISH/COLOR	NO

THIS DRAWING IS A CONTROLLED DOCUMENT.

DWN: Y. KAWAHARA 10OCT01
 CHK: N. SAI 10OCT01
 APVD: K. SHIMIZU 10OCT01

PRODUCT SPEC: 108-5793
 APPLICATION SPEC: 114-18021, 114-18030

MATERIAL: SEE TABLE
 FINISH: SEE TABLE

WEIGHT: 32.2g

SCALE: 2:1
 SHEET: 1 OF 1
 REV: A2

RESTRICTED TO

STE TE Connectivity

NAME: PLUG HOUSING ASSY
 SEALD 40POS. PLUG HSG MQS CLEAN BODY/JPT

SIZE: A2
 CAGE CODE: 00779
 DRAWING NO: C-1473252