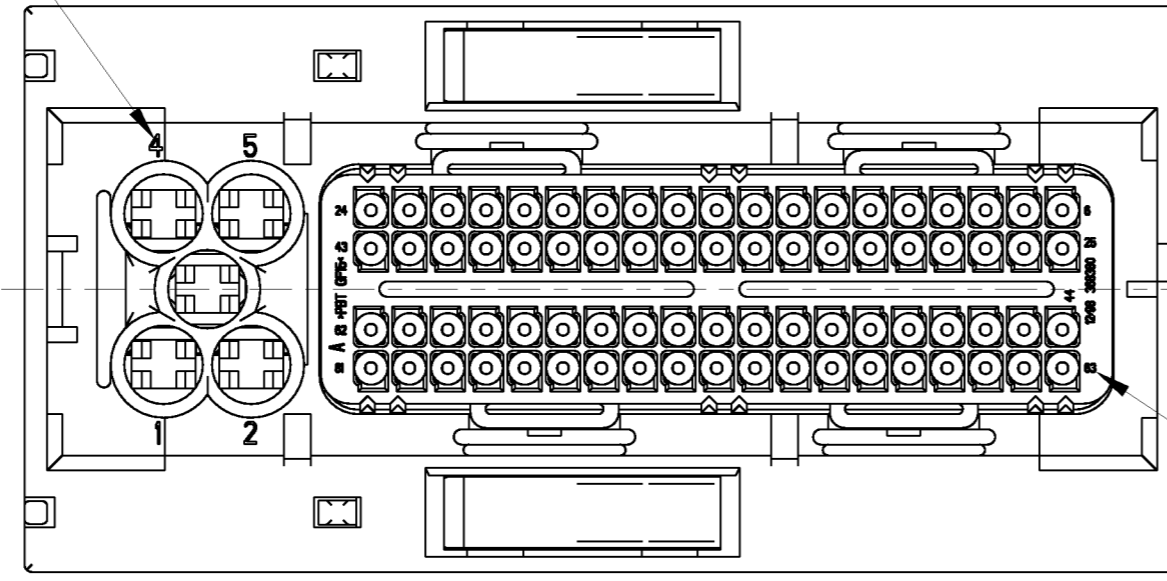


THIS DRAWING IS UNPUBLISHED. RELEASED FOR PUBLICATION 20
 (C) COPYRIGHT 20 ALL RIGHTS RESERVED.

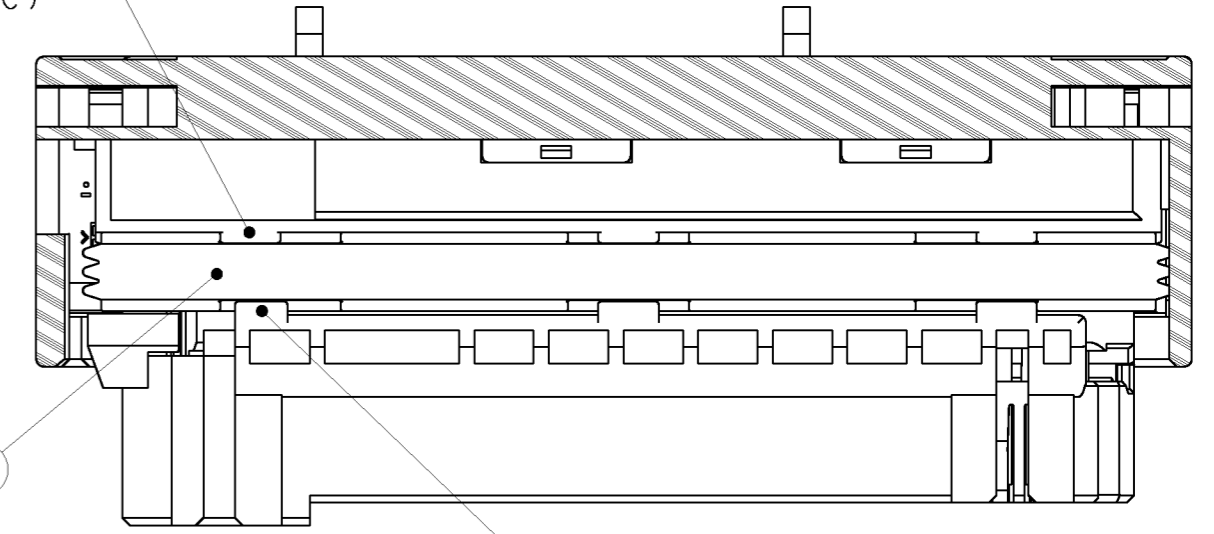
LOC		DIST		REVISIONS				
P	LTR	DESCRIPTION	ECN	DATE	DWN	APVD		
	B4	REVISED PER ECO-11-005140		05APR2011	RK	HMR		

CIRCUIT NUMBER



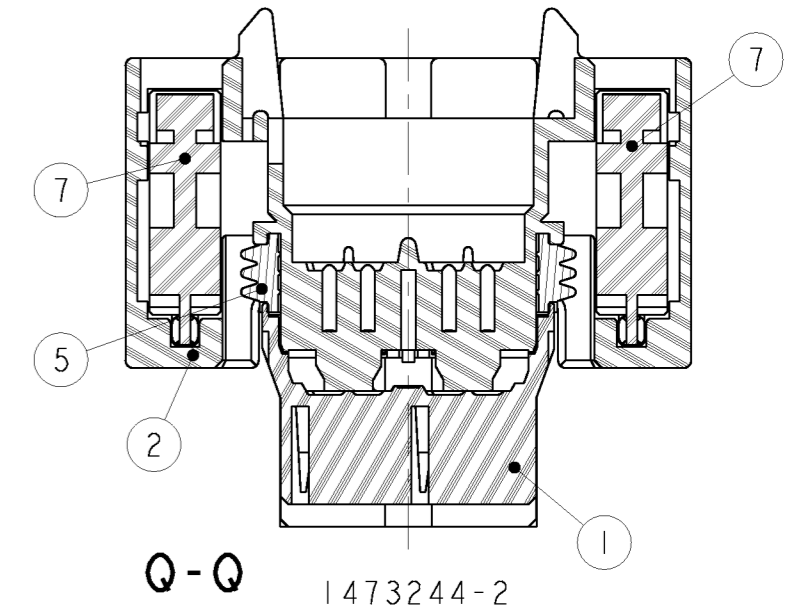
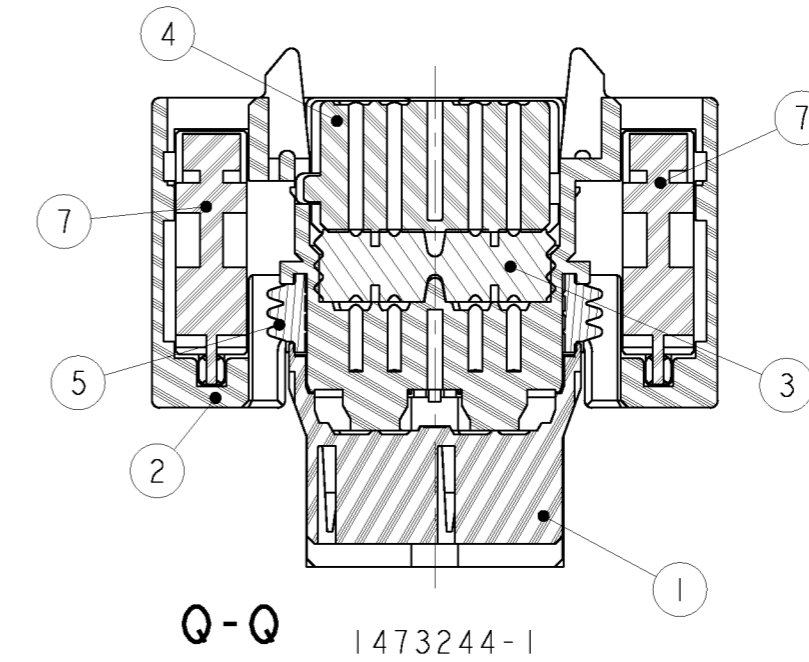
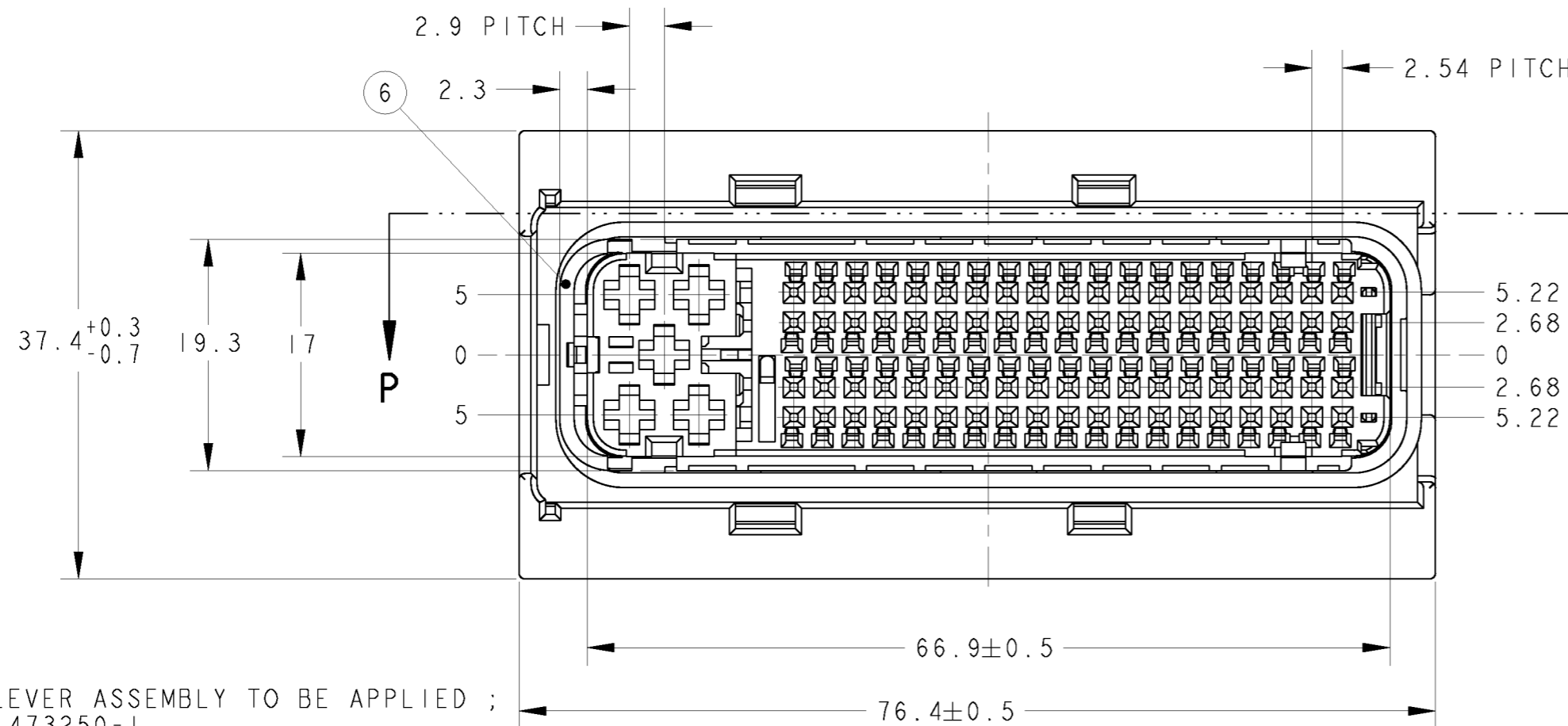
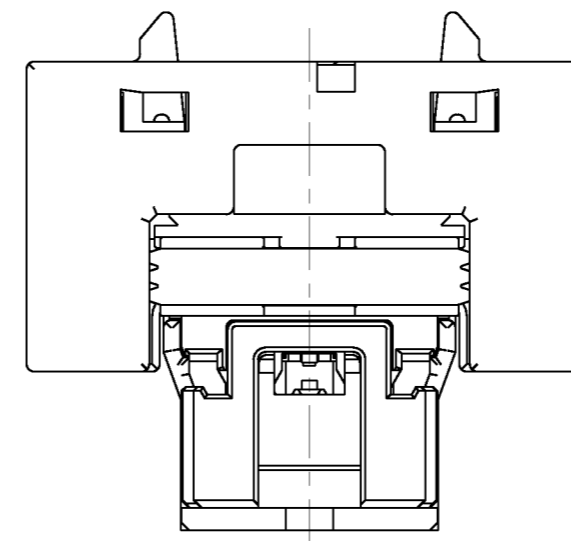
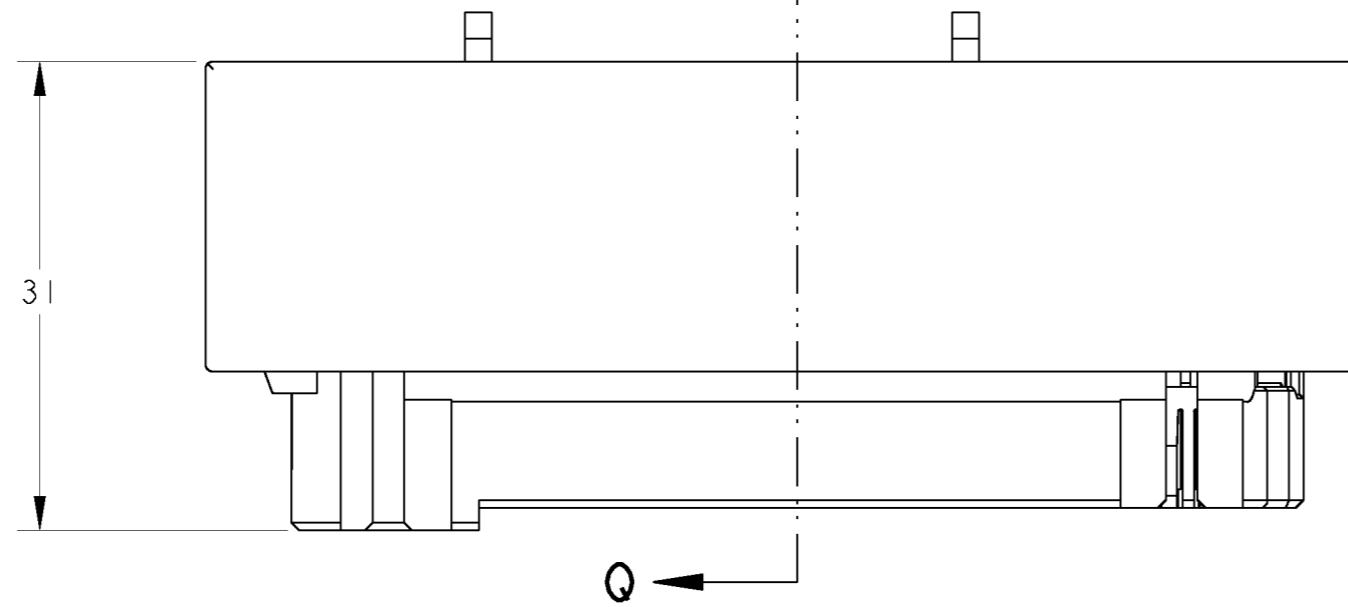
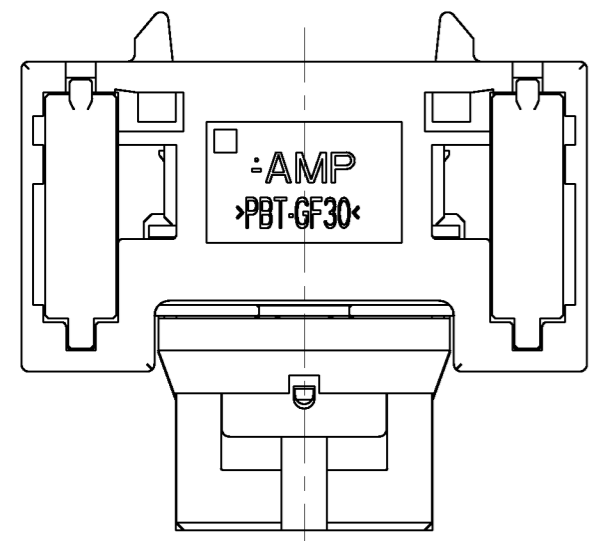
BOSS OF MAIN CAVITY BLOCK.
IT HOLD A PERIPHERAL SEAL.
(8PLC)

CIRCUIT NUMBER



BOSS OF FRONT CAVITY BLOCK.
IT HOLD A PERIPHERAL SEAL.
(6PLC)

P-P



- PART NUMBER OF LEVER ASSEMBLY TO BE APPLIED ; P/N 1473247-1, 1473250-1
- PART NUMBER OF MQS RETAINER TO BE APPLIED ; P/N 368382-1
- APPLIED TERMINAL ; SEE TABLE-1
- PART NUMBER OF CAP HOUSING TO BE MATED ; P/N 1241434-1
- INSTRUCTION SHEET NO ; 411-78008

- 適用レバーアッセンブリ型番は、P/N 1473247-1, 1473250-1
- 適用MQSリテーナ型番は、P/N 368382-1
- 適用端子はTABLE-1参照
- 嵌合相手型番は、P/N 1241434-1
- 取扱説明書 NO ; 411-78008

TABLE-1

CONTACT	MQS		JPT		
PART NUMBER	968220-1	968221-1	964282-2	964286-2	964273-2
WIRE SIZE (mm ²)	0.2~0.5	0.75	0.2~0.5	0.5~1.0	>1.0~2.5

SEE DRAWING 1473244-3	2	2	PA66	SLIDER	BLACK	7
	1	1	PBT	JPT RETAINER	YELLOW	6
	1	1	SILICONE	PERIPHERAL SEAL	ORANGE	5
	-	1	PBT	SEAL RETAINER	BLACK	4
	-	1	SILICONE	76POS FAMILY SEAL	ORANGE	3
	1	1	PBT	MAIN CAVITY BLOCK	BLACK	2
	1	1	PA66	FRONT CAVITY BLOCK	BLACK	1
	-3	-2	-1	MATERIAL	PART NAME	FINISH/COLOR NO

THIS DRAWING IS A CONTROLLED DOCUMENT.

DIMENSIONS: 単位: ㎜	TOLERANCES UNLESS OTHERWISE SPECIFIED: 公差: ±0.3
0-PLC ±	1-PLC ±0.5
2-PLC ±0.13	3-PLC ±0.013
4-PLC ±0.0001	ANGLES ±3°00'
MATERIAL 材質	FINISH 仕上
SEE TABLE	SEE TABLE

DWN Y. KAWAHARA 10OCT2001	CHK N. SAI 10OCT2001	APVD K. SHIMIZU 10OCT2001
PRODUCT SPEC 108-5793		
APPLICATION SPEC 114-18021, 114-18050		
WEIGHT 46.5g	CUSTOMER DRAWING	

STE TE Connectivity		NAME 名義	
PLUG HOUSING ASSY		SEALED 8IPOS. PLUG HSG MQS CLEAN BODY/JPT	
SIZE A200779	CAGE CODE G-1473244	DRAWING NO	RESTRICTED TO
SCALE 尺度 2:1	SHEET 1 OF 1	REV B4	