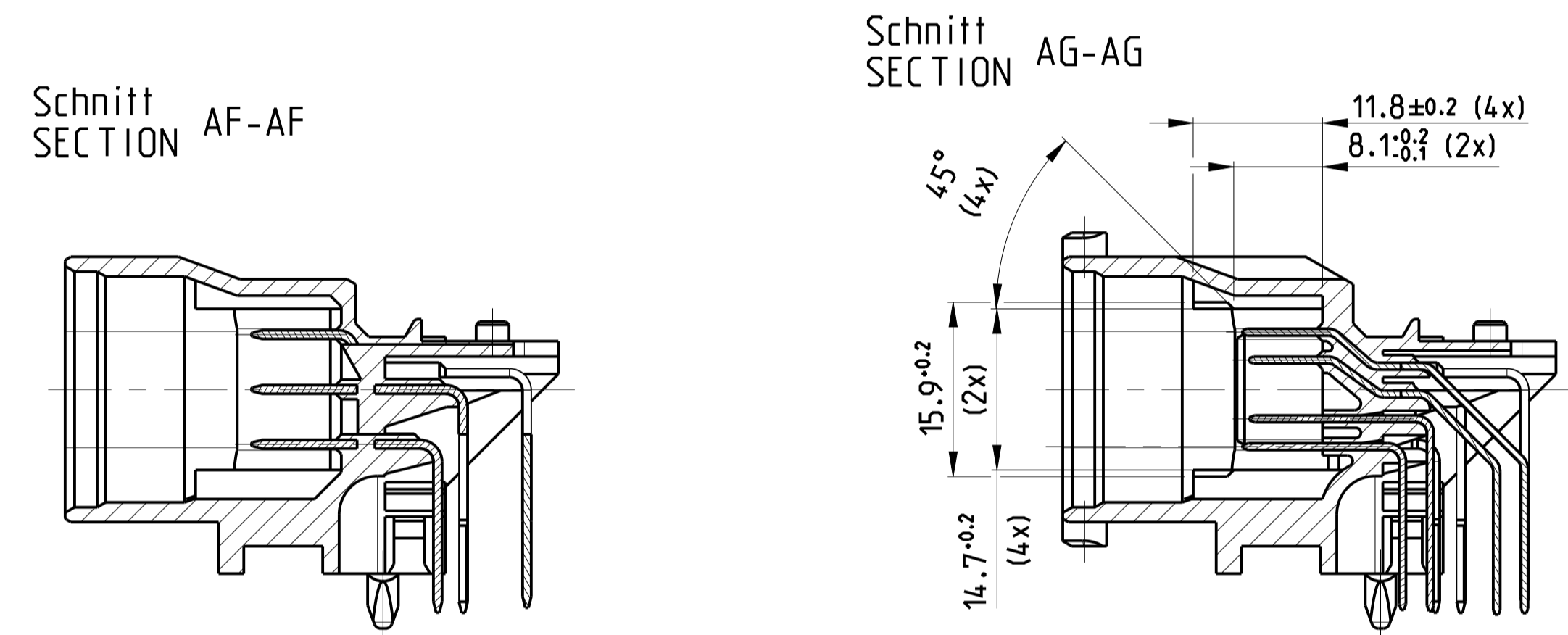
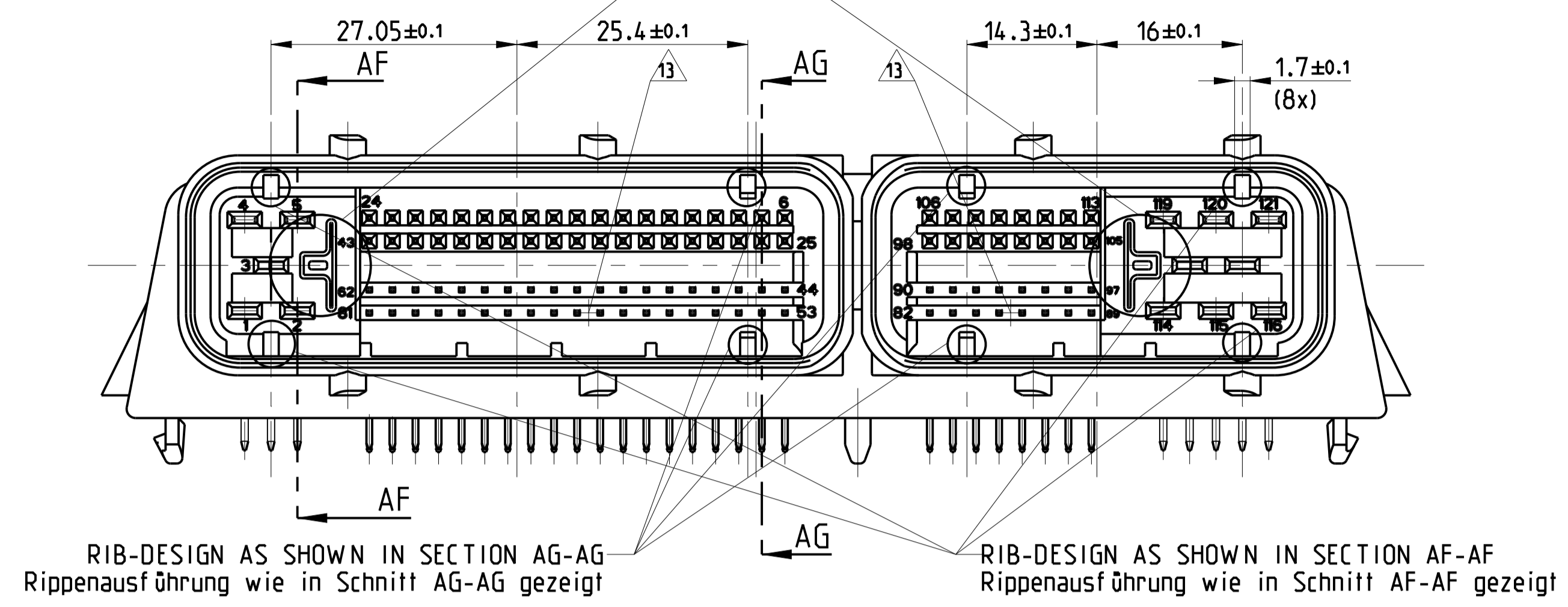


REVISIONS				
P. LTR.	DESCRIPTION	DATE	DWR	APVD
-	SEE SHEET 1	-	-	-

0-1241434-1; -3 Kodierung A wie gezeichnet Darstellung ohne Zentrierplatte
 CODING A Kodierung A
 0-1241434-1; -3 CODING A AS SHOWN SHOWN WITHOUT CENTERPLATE



0-1241434-2. Kodierung B wie gezeichnet Darstellung ohne Zentrierplatte
 CODING B Kodierung B
 0-1241434-2. CODING B AS SHOWN SHOWN WITHOUT CENTERPLATE

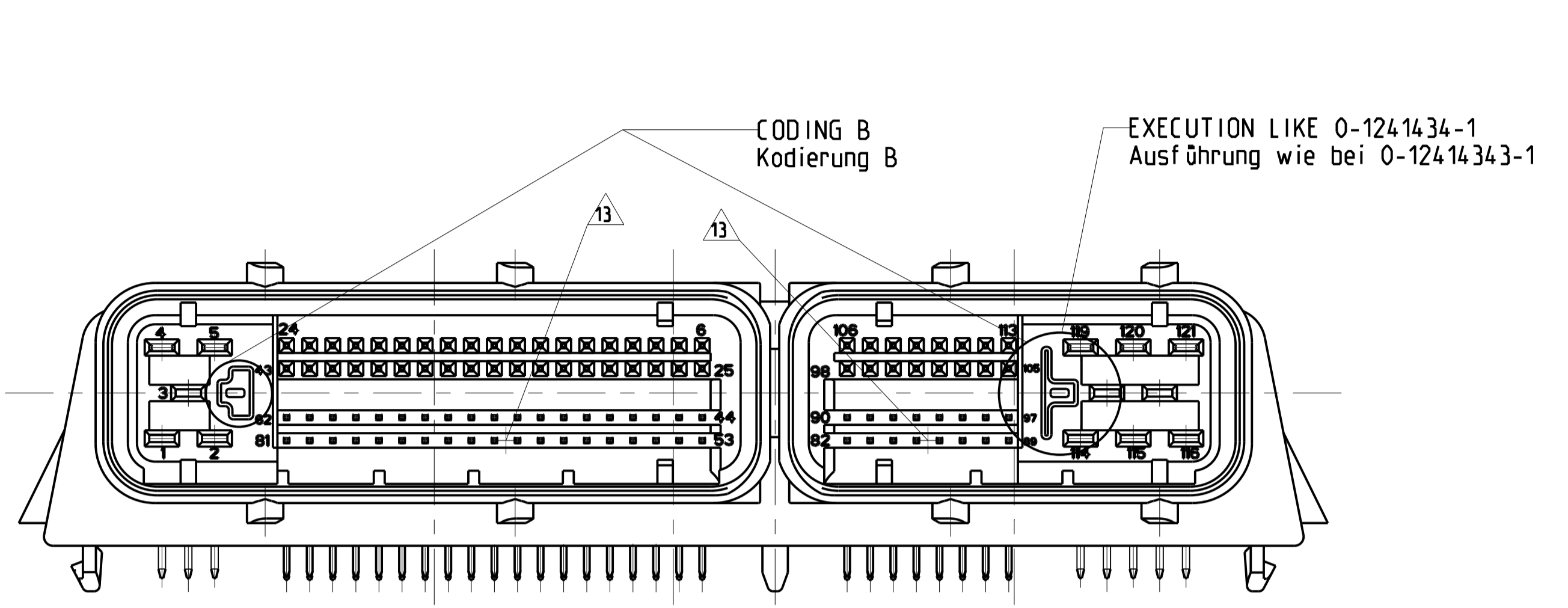


Tabelle 2 / TABLE 2

Stift-/Tab-Leiste PIN-/TAB-HEADER	Passende Buchsenstecker SUITABLE RECEPTACLE-HOUSINGS	
	40pol 40POSN. TE Teil-Nr. TE PART-NO.	81pol. 81POSN. TE Teil-Nr. TE PART-NO.
1241434-1	1355172-1	1355171-1
1241434-2	1355172-1	1355171-2
1241434-3	1355172-1	1355171-1

REVISION	C	C	C	C	C	C					
CODING/Kodierung	A	B	A	A	A	A					
	0-1241434-3	0-1241434-2	9-1241434-1	8-1241434-1	7-1241434-1	0-1241434-1					
	X	X	X	X	X	X	PIN HOUSING, Stiftwanne	1	9	BLACK Schwarz	PA66-GF 30
	X	X	X	X	X	X	TAB 2.8x0.8; LONG Flachstecker 2.8x0.8 lang	5	8	3	CuSn 6
	X	X	X	X	X	X	TAB 2.8x0.8; MIDDLE Flachstecker 2.8x0.8 mittel	3	7	3	CuSn 6
	X	X	X	X	X	X	TAB 2.8x0.8; SHORT Flachstecker 2.8x0.8 kurz	5	6	3	CuSn 6
	X						PIN 0.63; MIDDLE Stift 0.63 mittel	27	3	2	CuFe 2
	X						PIN 0.63; SHORT Stift 0.63 kurz	27	2	2	CuFe 2
	X	X	X	X	X	X	PIN 0.63; VERY LONG Stift 0.63 sehr lang	27	5	1	CuSn 6
	X	X	X	X	X	X	PIN 0.63; LONG Stift 0.63 lang	27	4	1	CuSn 6
		X	X	X	X	X	PIN 0.63; MIDDLE Stift 0.63 mittel	27	3	1	CuSn 6
		X	X	X	X	X	PIN 0.63; SHORT Stift 0.63 kurz	27	2	1	CuSn 6
	X	X	X	X	X	X	CENTERPLATE Zentrierplatte	1	1	BLACK Schwarz	PA66-GF 50
	ORDER-NO. Bestell-Nr.						SINGLE-PART DESCR. Einzelteil-Benennung	QTY. Stück	ITEM. Pos.	COLOR. Farbe	MATERIAL Material

THIS DRAWING IS A CONTROLLED DOCUMENT. DIMENSIONS: mm. TOLERANCES UNLESS OTHERWISE SPECIFIED: 0 PLC, 1 PLC, 2 PLC, 3 PLC, 4 PLC, ANGLES. MATERIAL: SEE TABLE. FINISH: -.

DWG: G.Fischer, 26-FEB-99. CHK: B.Kirsch, 19-MAR-99. APVD: H.Bleicher, 30-OCT-06. NAME: PRODUCT SPEC. APPLICATION SPEC. WEIGHT: 73 g. Customer Drawing.

STE TE Connectivity
 PIN-/TAB 2.8x0.8 HEADER, Stift-/Flachstecker 2.8x0.8 Leiste, 108+13POSN. TSMT / JPT
 SIZE: A1. CAGE CODE: 00779. DRAWING NO: 1241434. SHEET 2 OF 2. REV C14.