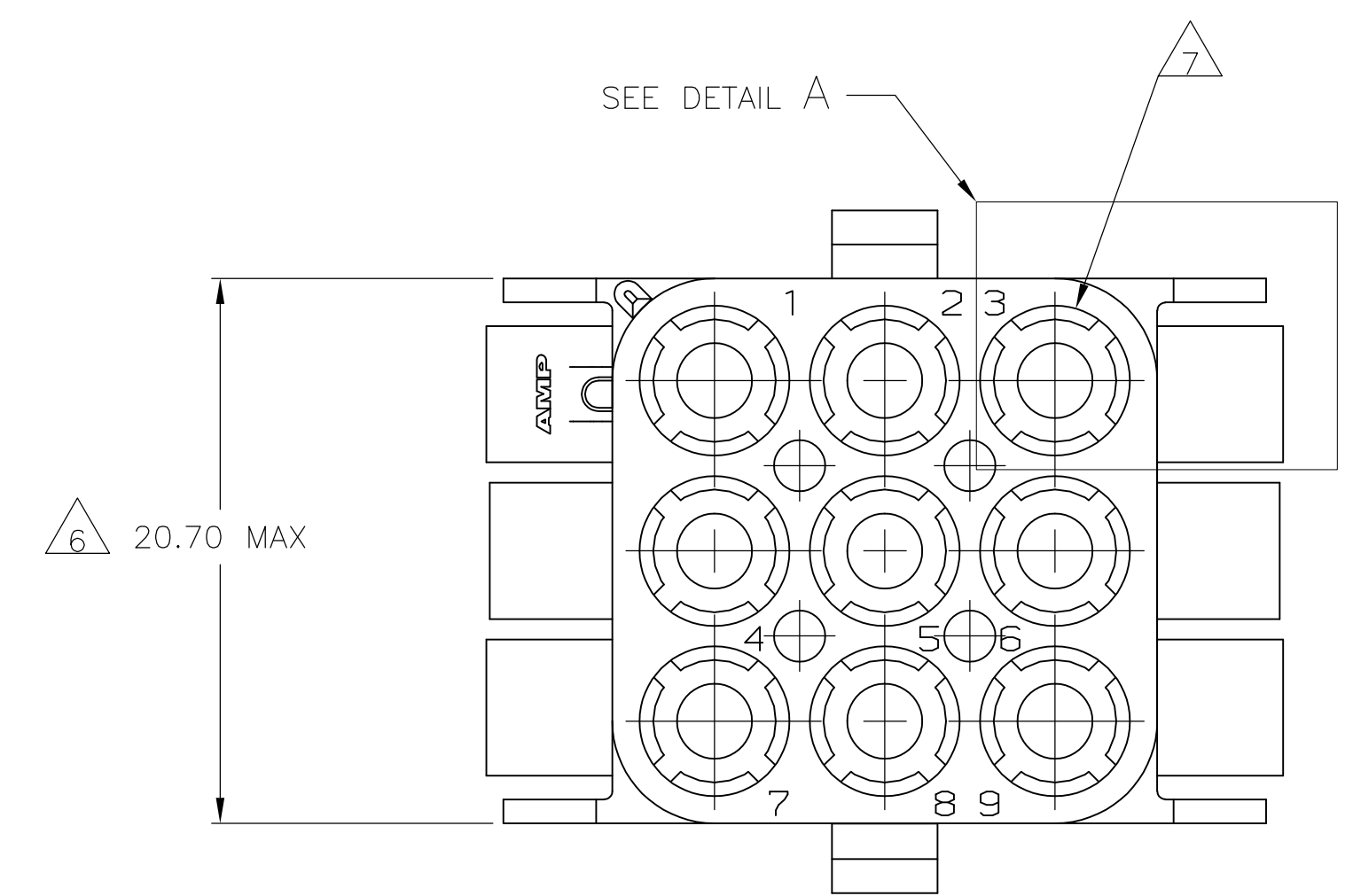
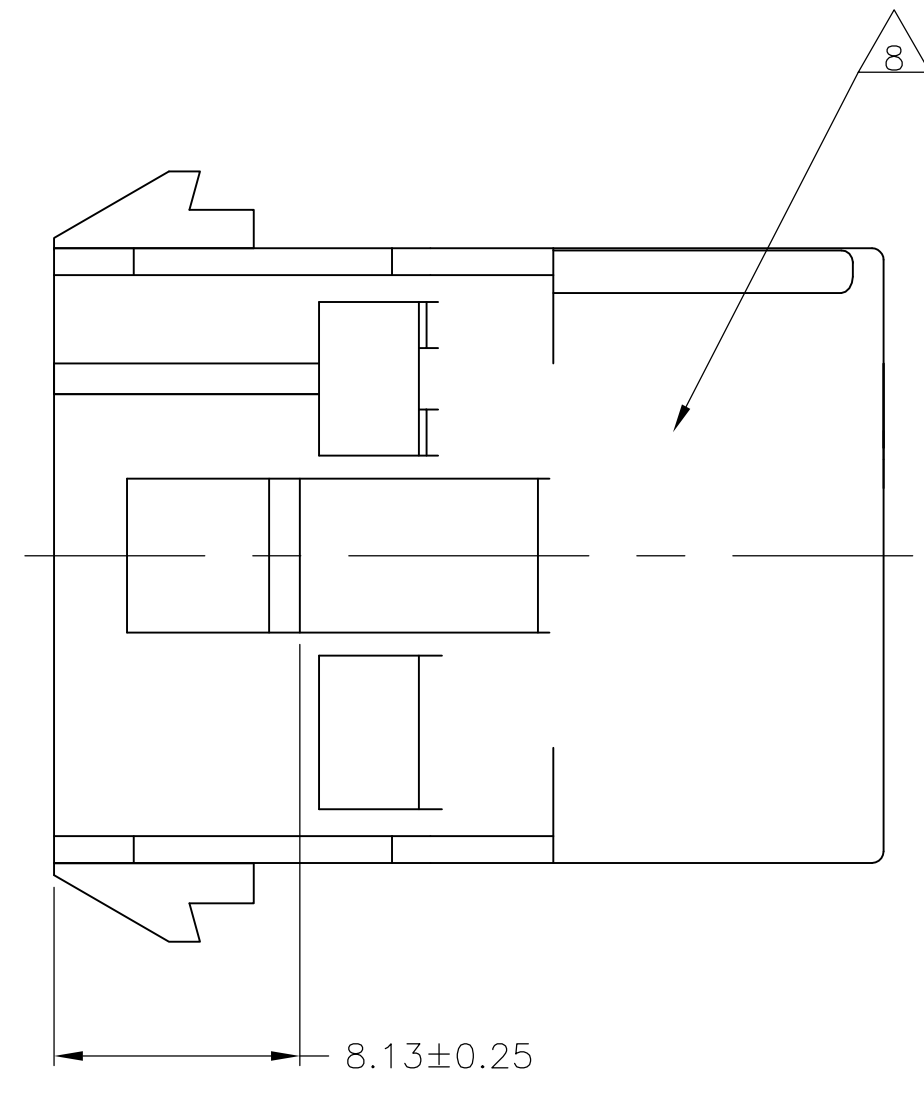
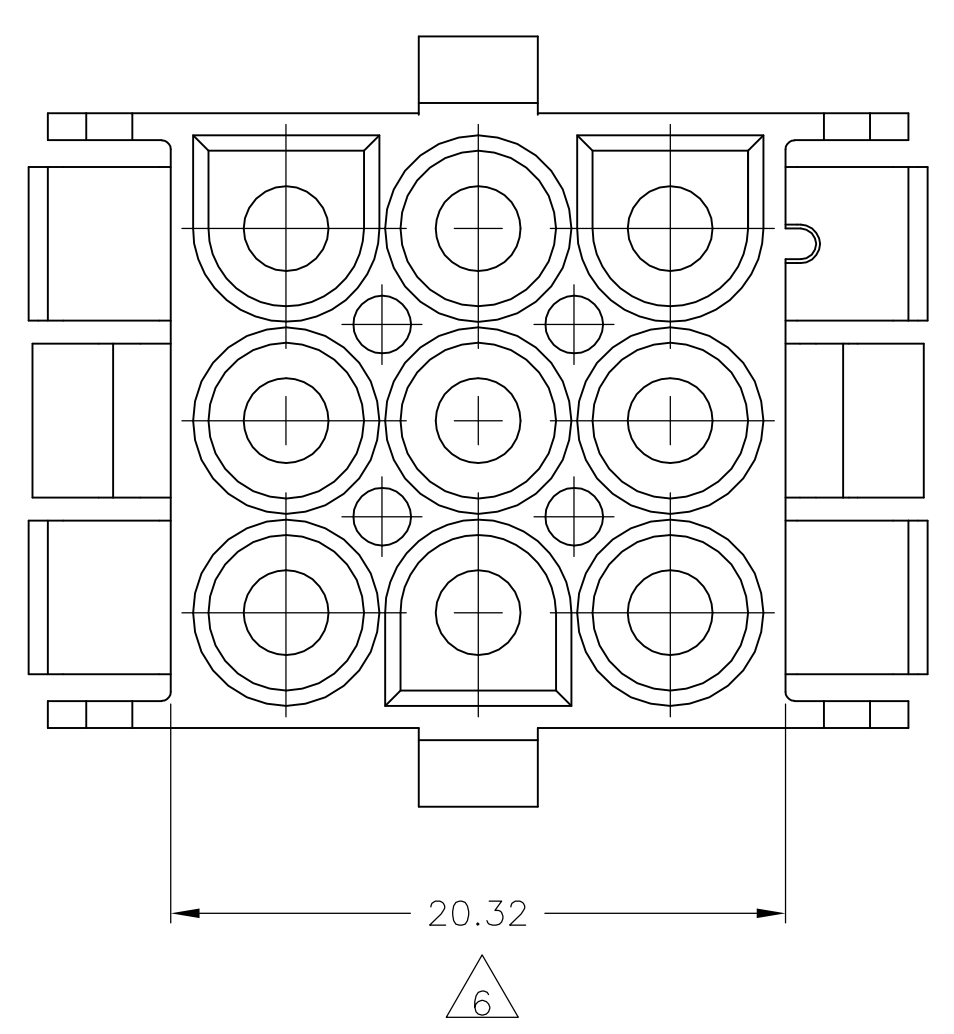
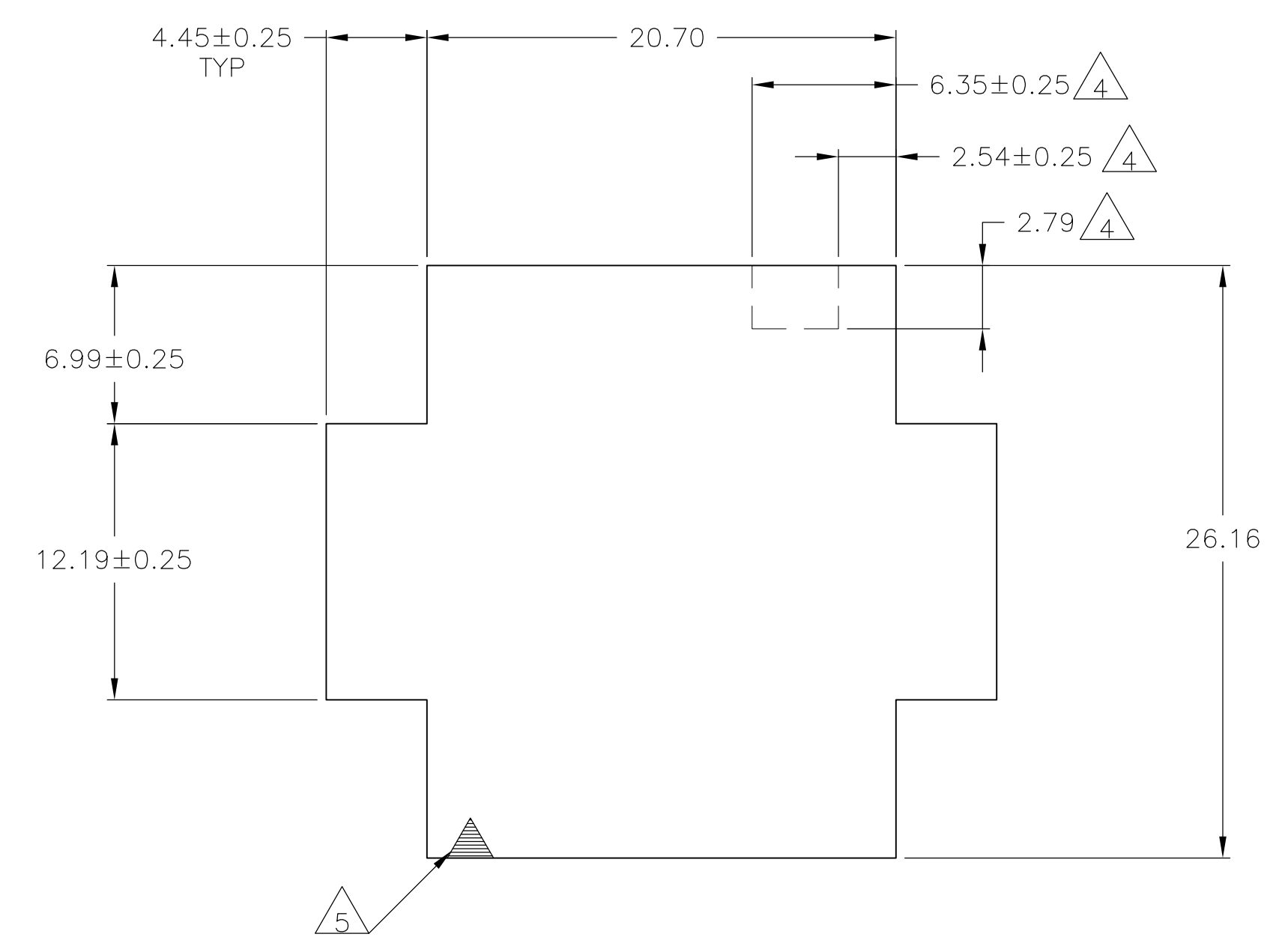
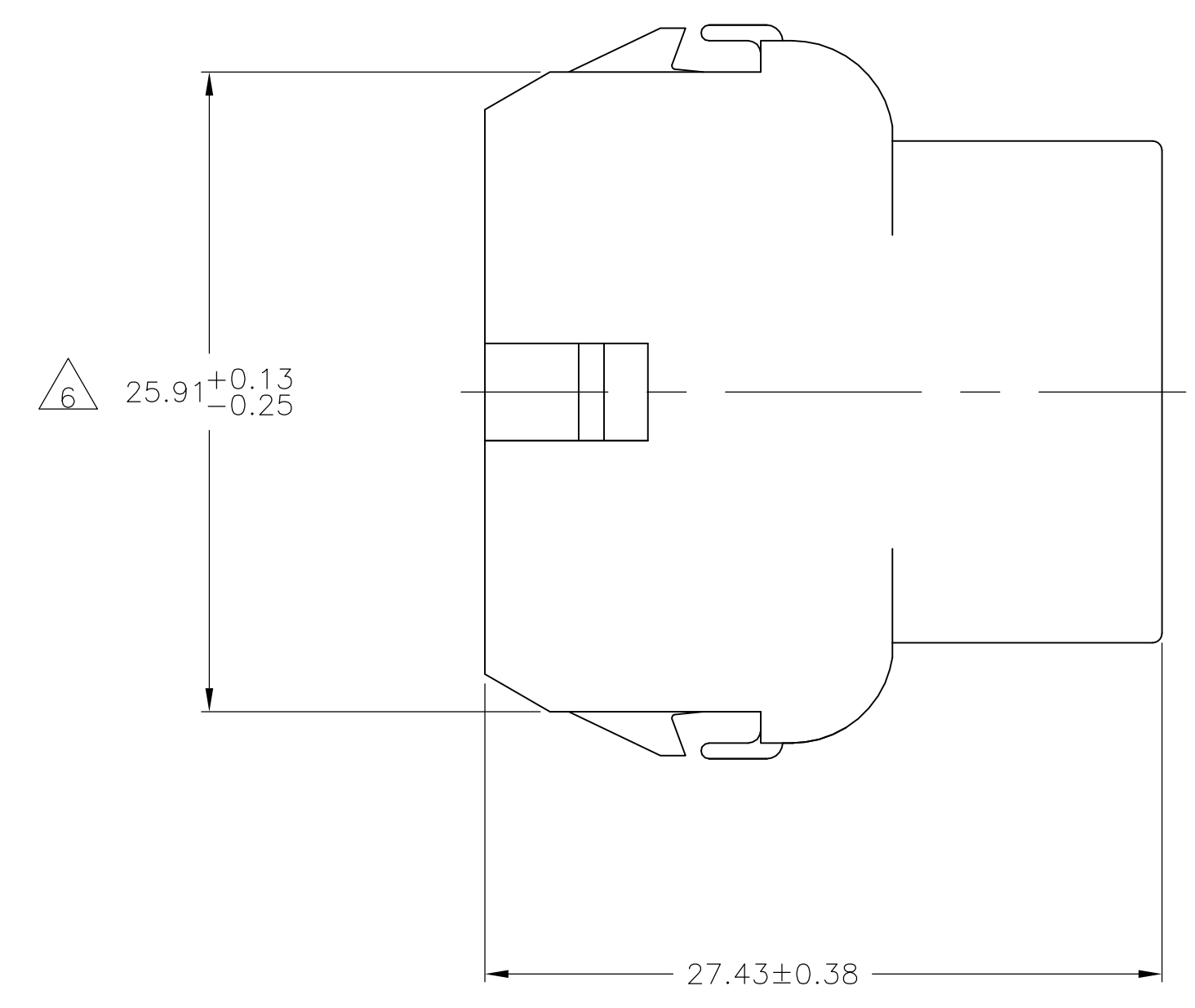
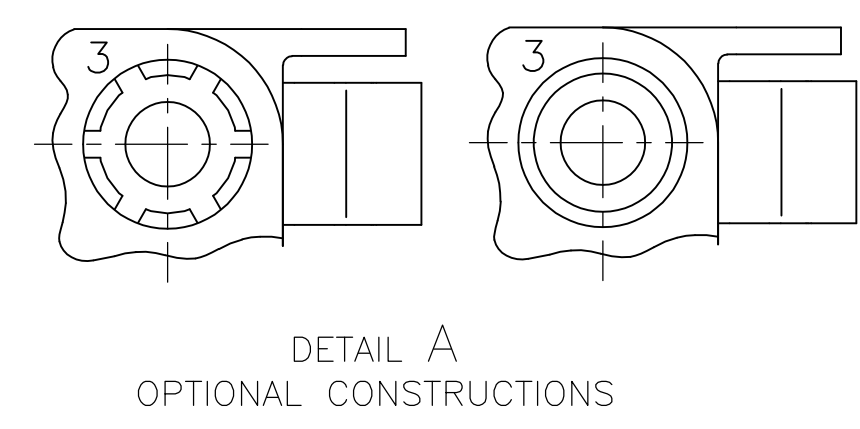


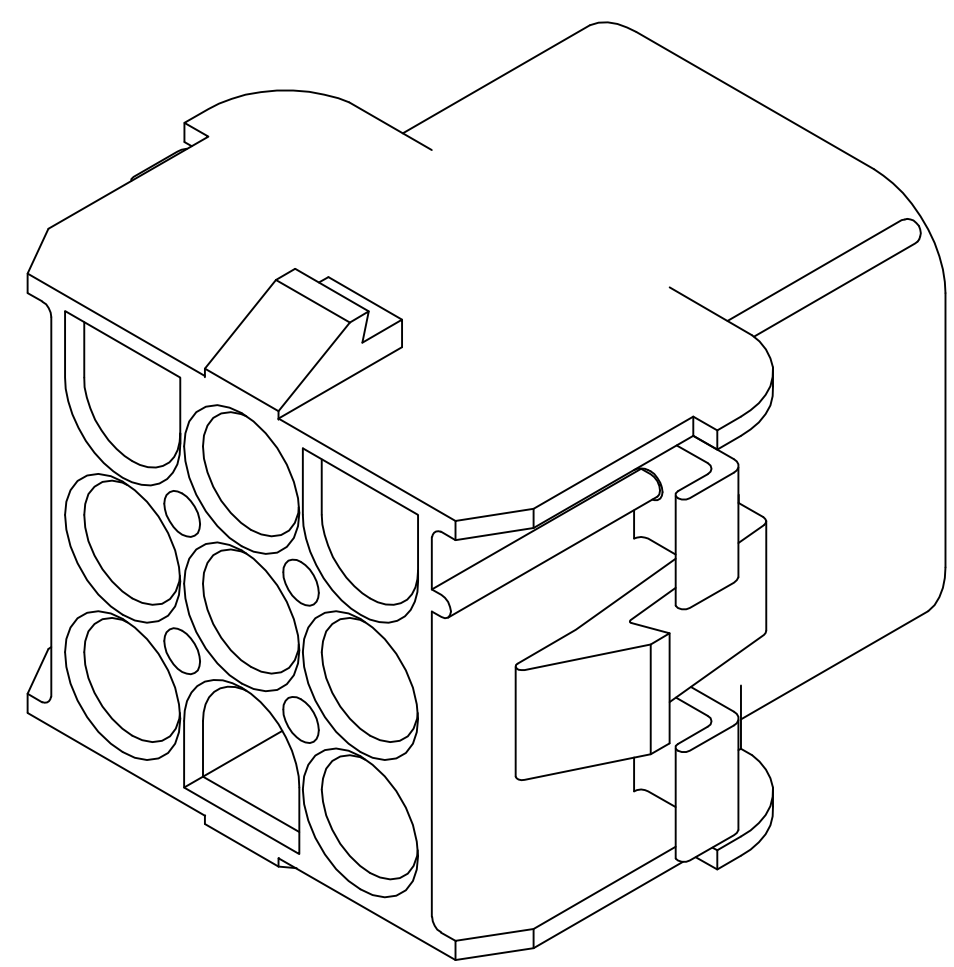
LOC	DIST	REVISIONS				
CM	00	REV	DESCRIPTION	DATE	BY	APPV
		AK2	REVISED PER ECO-11-004587	11MAR11	RK	HMR
		AL	REVISED PER ECR-14-016405	07APR2015	AV	DZ



1. MATES WITH APPROPRIATE UNIVERSAL MATE-N-LOK™ PLUG.
2. RECOMMENDED PANEL THICKNESS 0.76 - 2.29.
3. PANEL MUST BE PUNCHED SO THAT THE HOUSING ENTERS THE PANEL IN THE SAME DIRECTION AS THE PUNCH.
4. OPTIONAL FOR KEYING HOUSING IN PANEL.
5. CIRCUIT NUMBER 1 LOCATION.
6. DIMENSION REPRESENTS POTENTIAL MAXIMUM GROWTH DUE TO MOISTURE ABSORPTION.
7. FOUR RIBS EQUALLY SPACED, NO SPECIFIC ORIENTATION. NO RIBS OR SIX RIBS EQUALLY SPACED, NO SPECIFIC ORIENTATION, OPTIONAL.
8. UNDERWRITERS RECOGNIZED COMPONENT LOGO AND CSA CERTIFICATION LOGO TO BE LOCATED ONCE EACH ON SIDE OF HOUSING.
9. OBSOLETE PARTS: OBSOLETE CIS STREAMLINING PER D.RENAUD/D.SINISI



RECOMMENDED PANEL CUT OUT



3-DIMENSIONAL MODEL  
NTS

6.35	.250	-	-
4.45	.175	27.43	1.080
2.79	.110	26.43	1.041
2.54	.100	25.91	1.020
2.29	.090	20.70	.815
0.76	.030	20.32	.800
0.38	.015	12.19	.480
0.25	.010	8.13	.320
0.13	.005	6.99	.275
MM	IN	MM	IN

CONVERSION TABLE

Color	Part No
BLACK	1-480707-9
GRAY	<del>1-480707-8</del>
BLUE	<del>1-480707-6</del>
GREEN	<del>1-480707-5</del>
YELLOW	<del>1-480707-4</del>
ORANGE	<del>1-480707-3</del>
RED	1-480707-2
BROWN	1-480707-1
NATURAL	1-480707-0
COLOR	PART NO

9 OBSOLETE  
SUPERSEDED BY 1-480707-0

METRIC

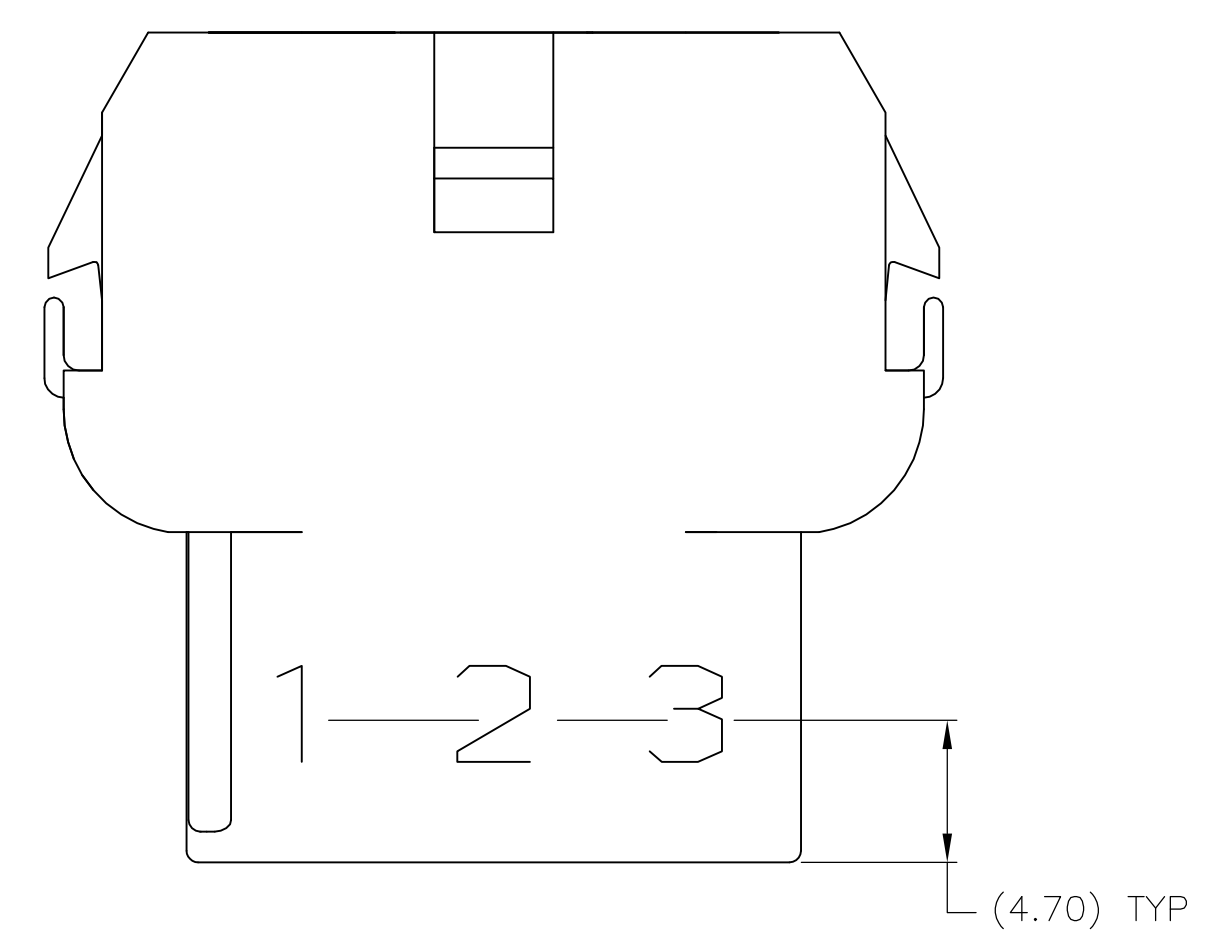
THIS DRAWING IS A CONTROLLED DOCUMENT.

DIMENSIONS:	TOLERANCES UNLESS OTHERWISE SPECIFIED:	DWG	K. WHITAKER	29JUL04
mm	0. PLC ± -	CHK	S. RIDGILL	29JUL04
	1. PLC ± -	APPV	S. RIDGILL	29JUL04
	2. PLC ± 0.13	NAME		
	3. PLC ± -	PRODUCT SPEC		
	4. PLC ± -	APPLICATION SPEC		
	ANGLES ± 0.30°	SIZE	CAGE CODE	DRAWING NO
MATERIAL	FINISH	WEIGHT		RESTRICTED TO
NYLON, UL94V-2			A1	00779

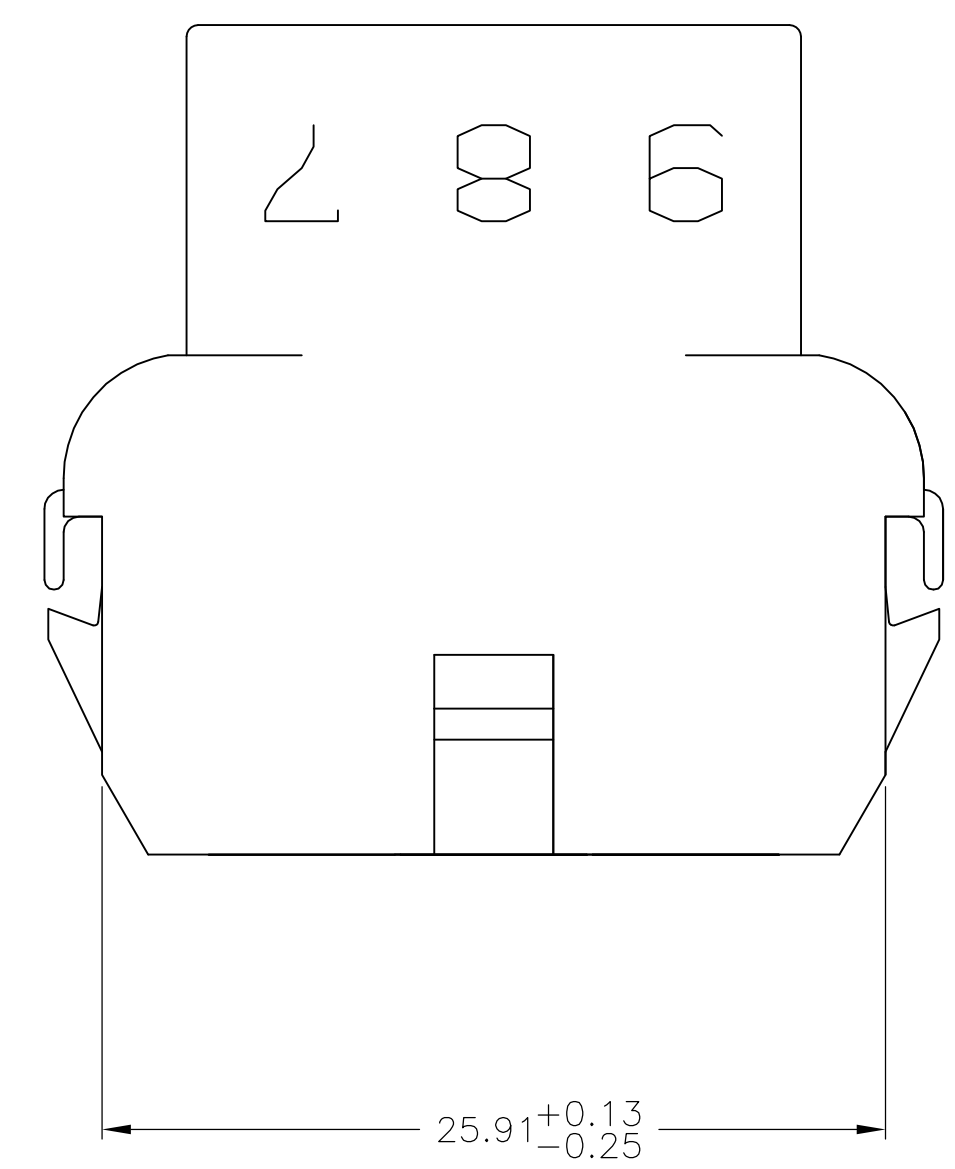
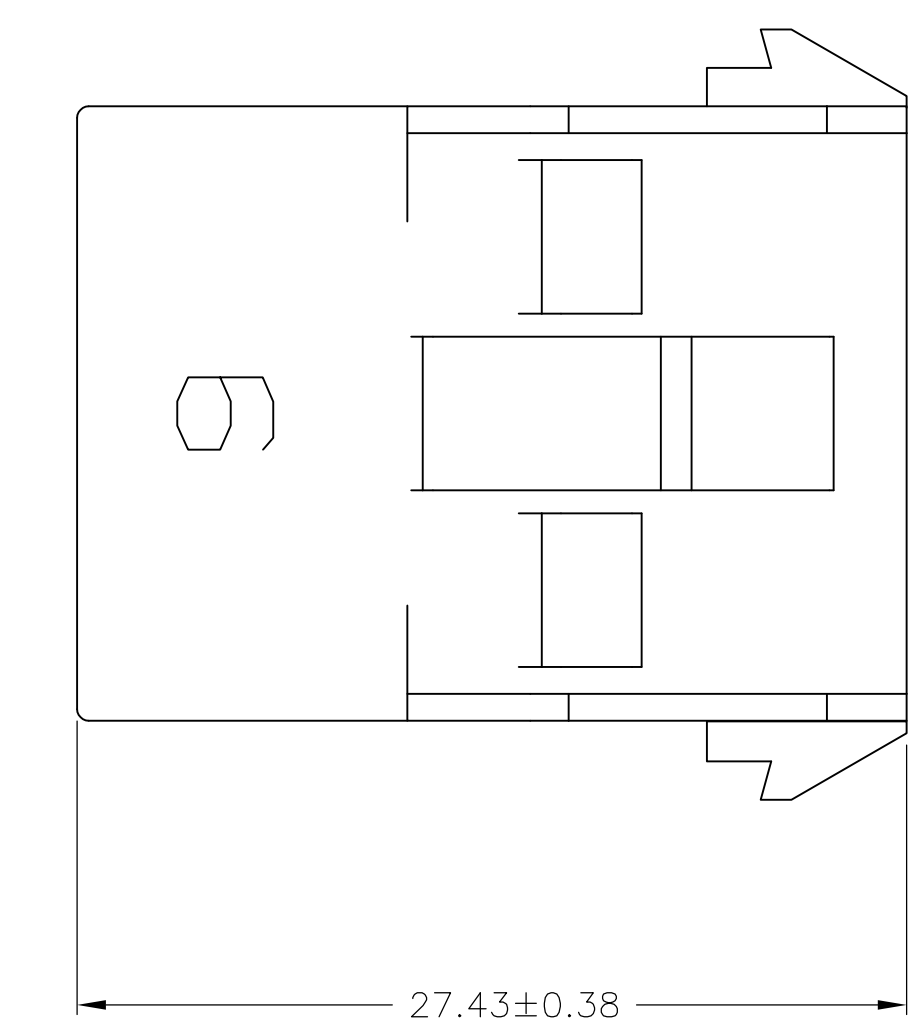
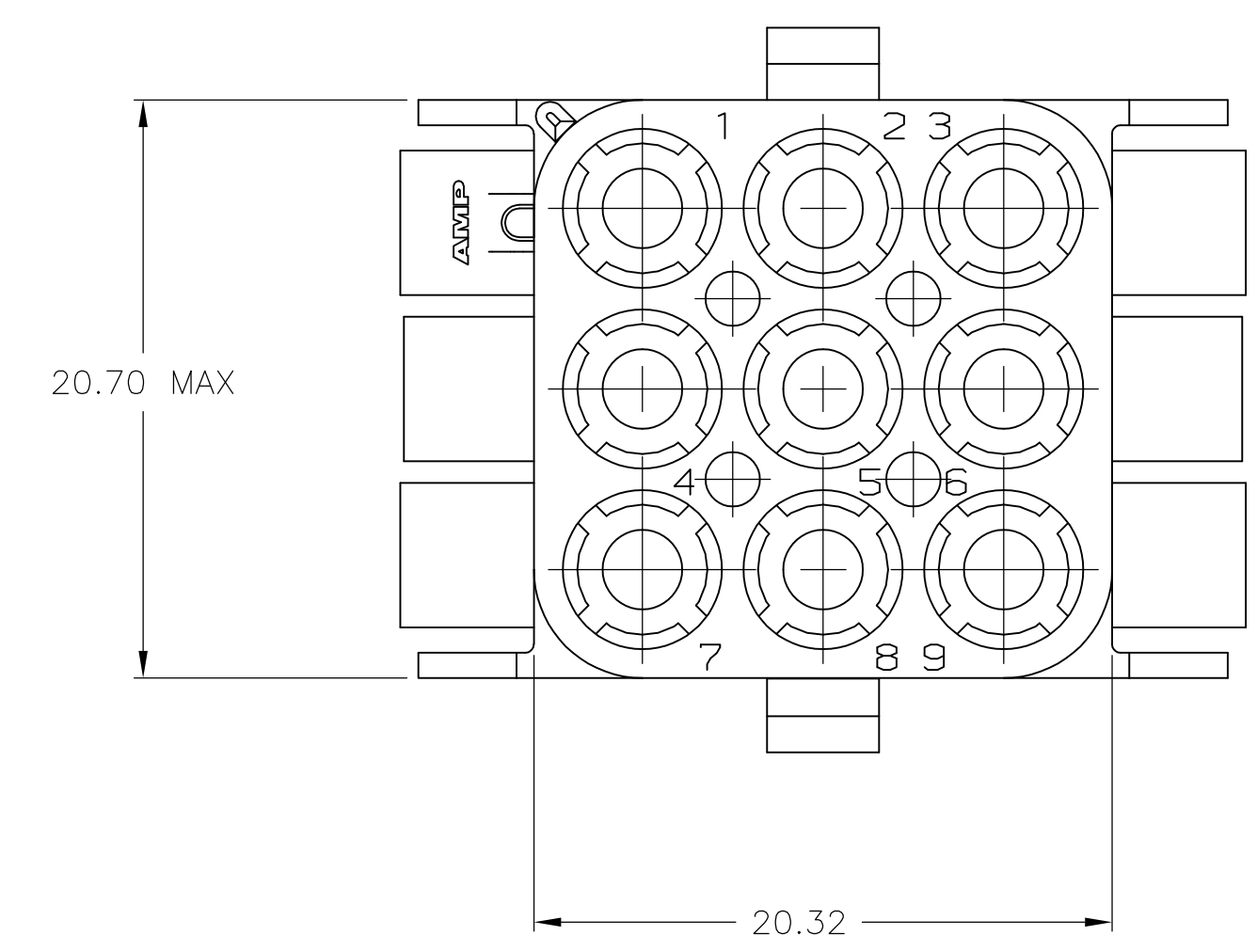
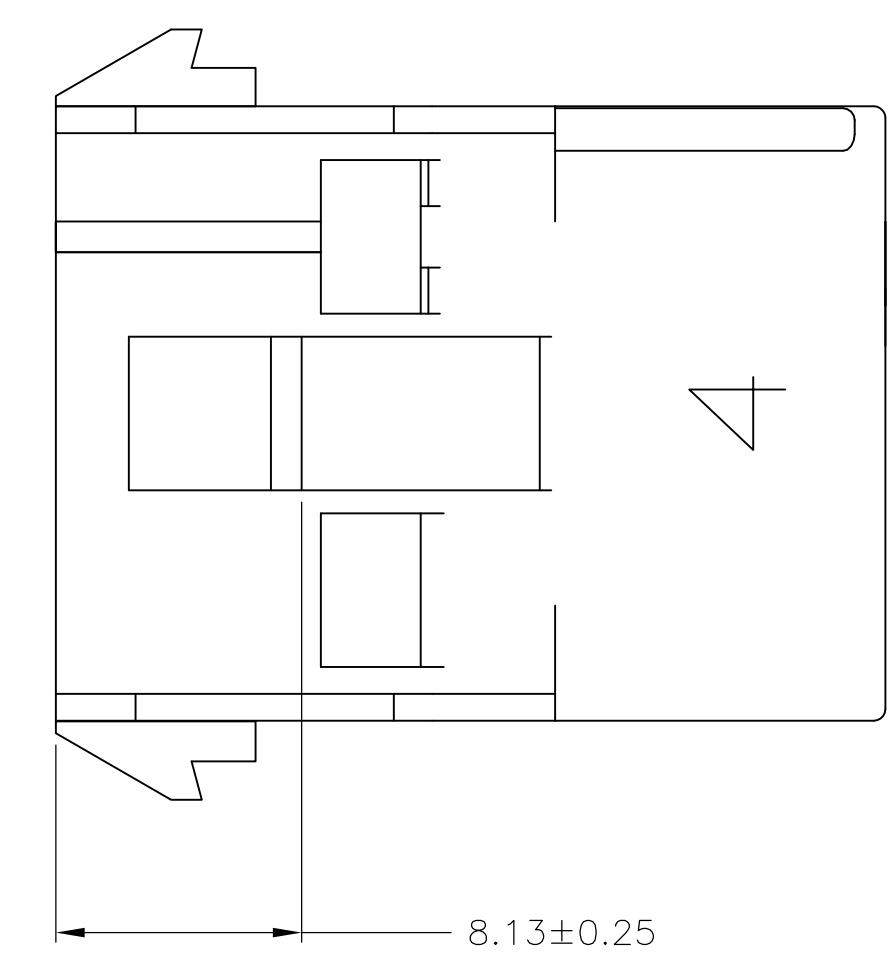
STE TE Connectivity

CAP.  
9 CIRCUIT,  
UNIVERSAL MATE-N-LOK(TM)

CUSTOMER DRAWING SCALE 4:1 SHEET 1 OF 2 REV AL

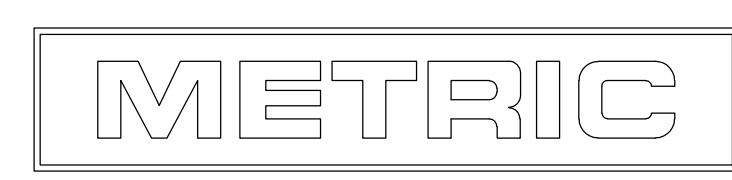


1. STAMP NUMBERS 3.18 HIGH AT WIRE END OF HOUSING (12 POINT DAVID TYPE); CLARIFICATION MARKS UNDER THE 6 & 9.
2. CHARACTERS TO BE STAMPED ON HOUSING IN A MANNER AS TO BE READ FROM WIRE END ONLY.
3. VIOLET, BLACK, BROWN, AND BLUE COLORED BLOCKS TO BE STAMPED WITH WHITE CHARACTERS. ALL OTHER COLORED BLOCKS TO BE STAMPED WITH BLACK CHARACTERS.



5.08	.200	-	-
4.70	.185	27.43	1.080
3.18	.125	25.91	1.020
0.38	.015	20.70	.815
0.25	.010	20.32	.800
0.13	.005	8.13	.320
MM	IN	MM	IN

CONVERSION TABLE



THIS DRAWING IS A CONTROLLED DOCUMENT.		DIN K. WHITAKER 29JUL04	NATURAL 2-480707-0	
		CHK S. RIDGILL 29JUL04	COLOR PART NO	
		APVD S. RIDGILL 29JUL04	TE Connectivity	
DIMENSIONS: mm TOLERANCES UNLESS OTHERWISE SPECIFIED: 0. PLC ± - 1. PLC ± - 2. PLC ± 0.13 3. PLC ± - 4. PLC ± - ANGLES ± 0°30'		NAME	CAP. 9 CIRCUIT, UNIVERSAL MATE-N-LOK(TM)	
MATERIAL NYLON, UL94V-2 FINISH -		APPLICATION SPEC	SIZE	RESTRICTED TO
		WEIGHT	A1 00779	480707
		CUSTOMER DRAWING	SCALE 4:1	SHEET 2 OF 2 REV AL