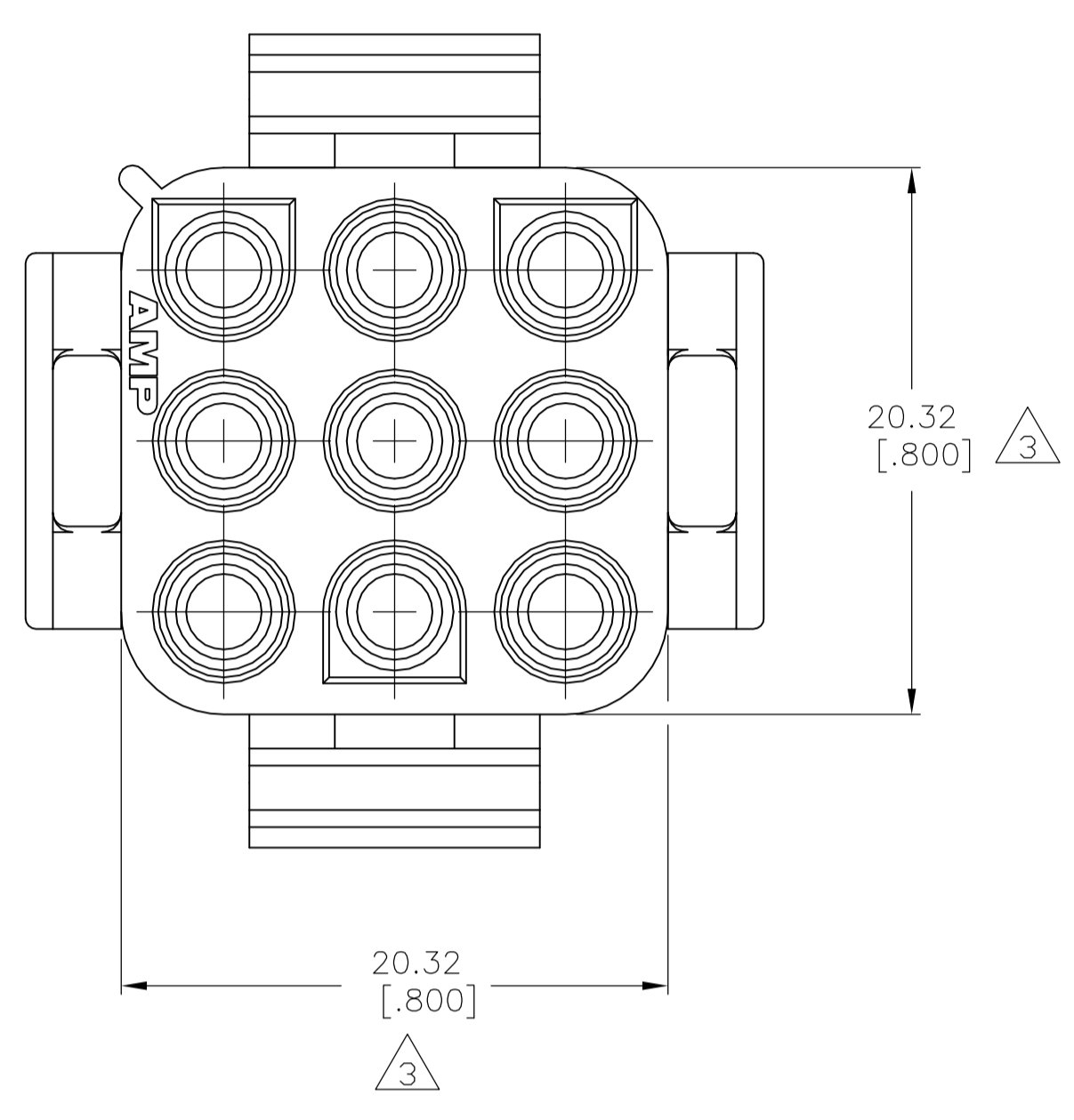
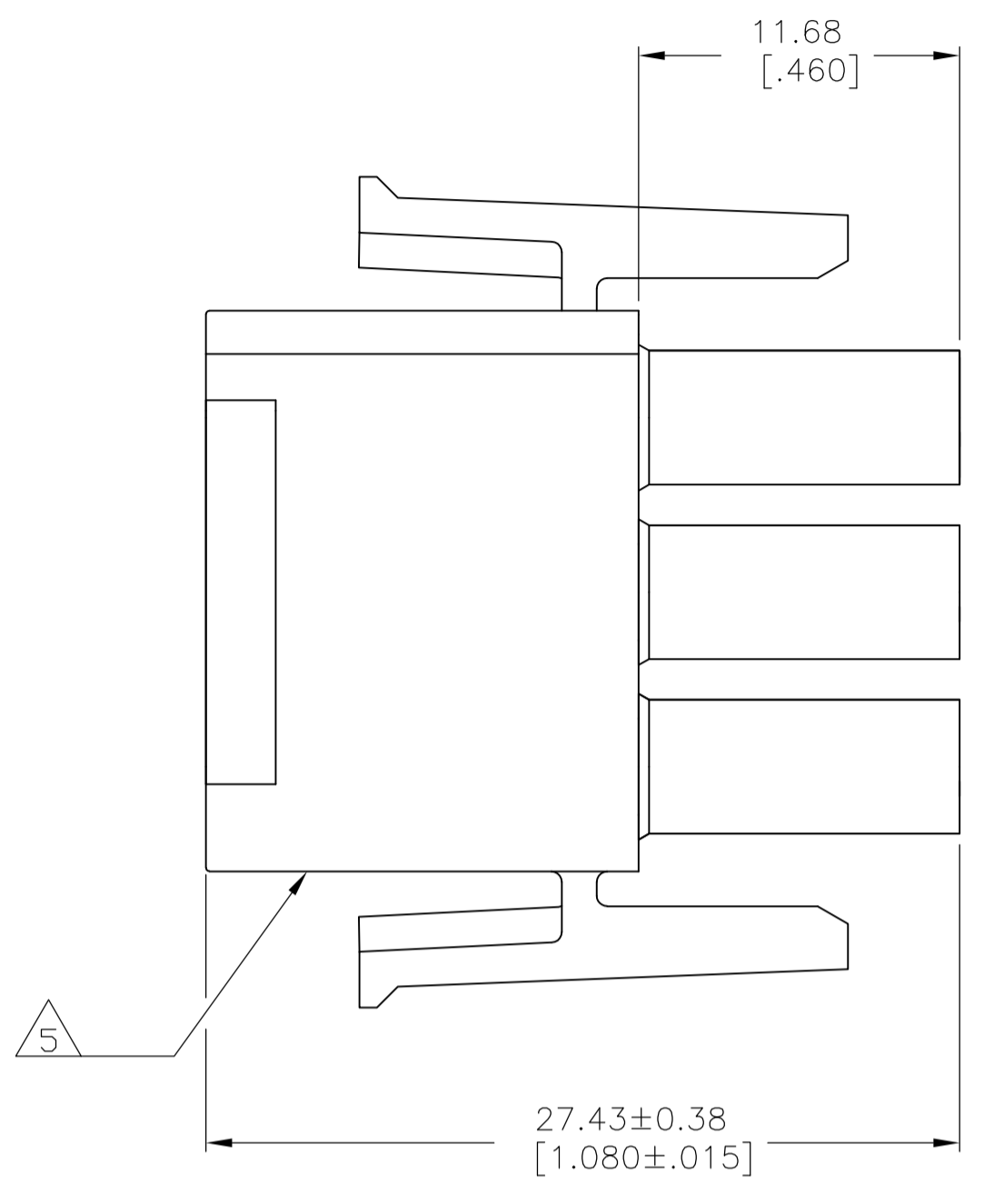
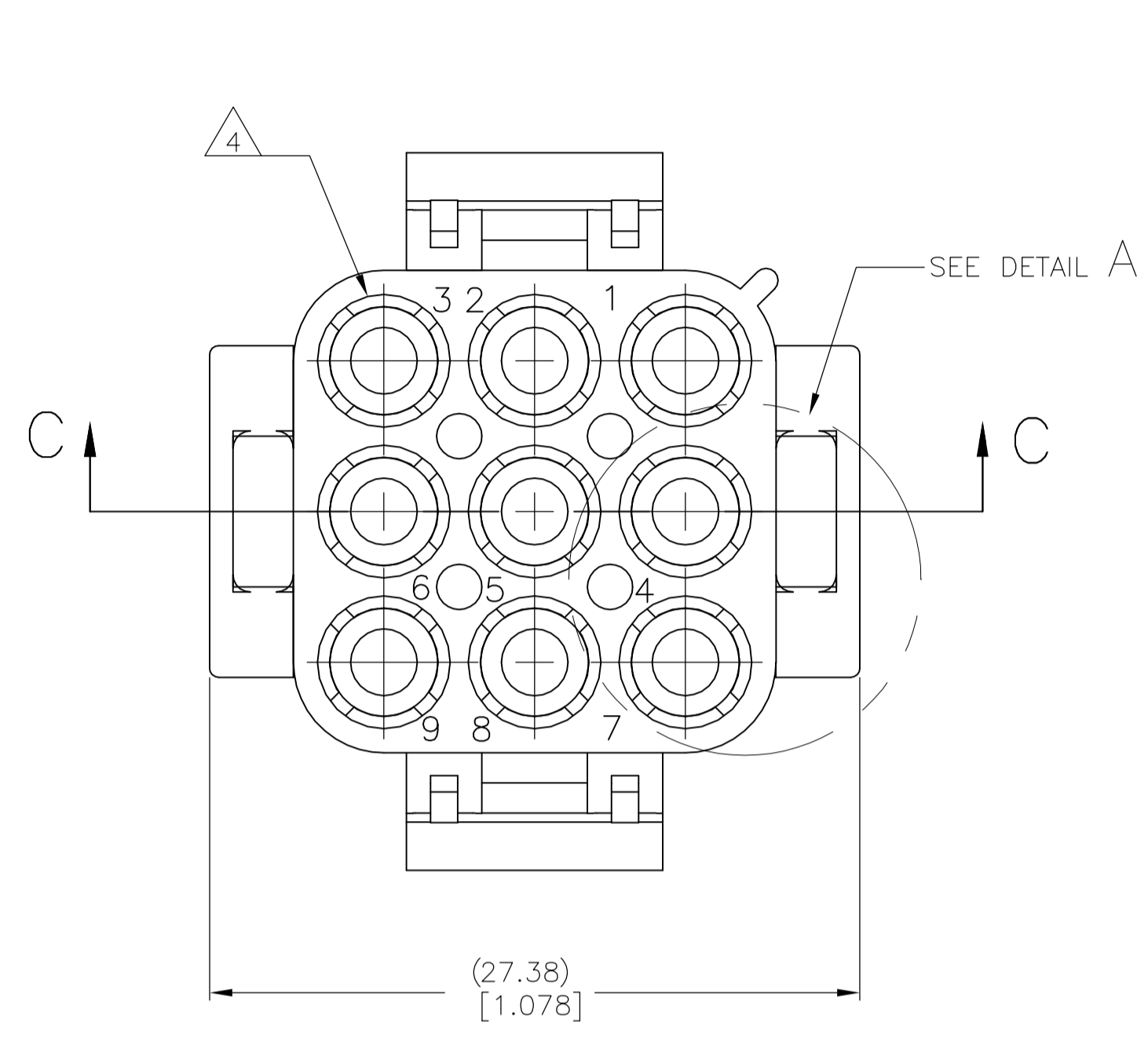
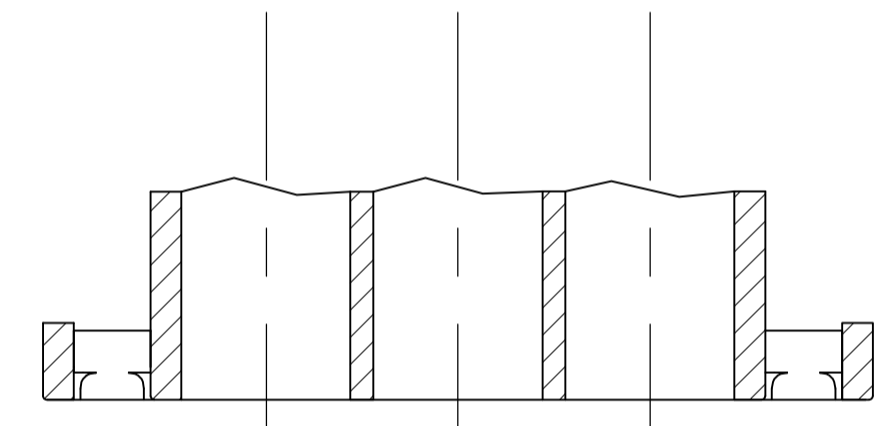


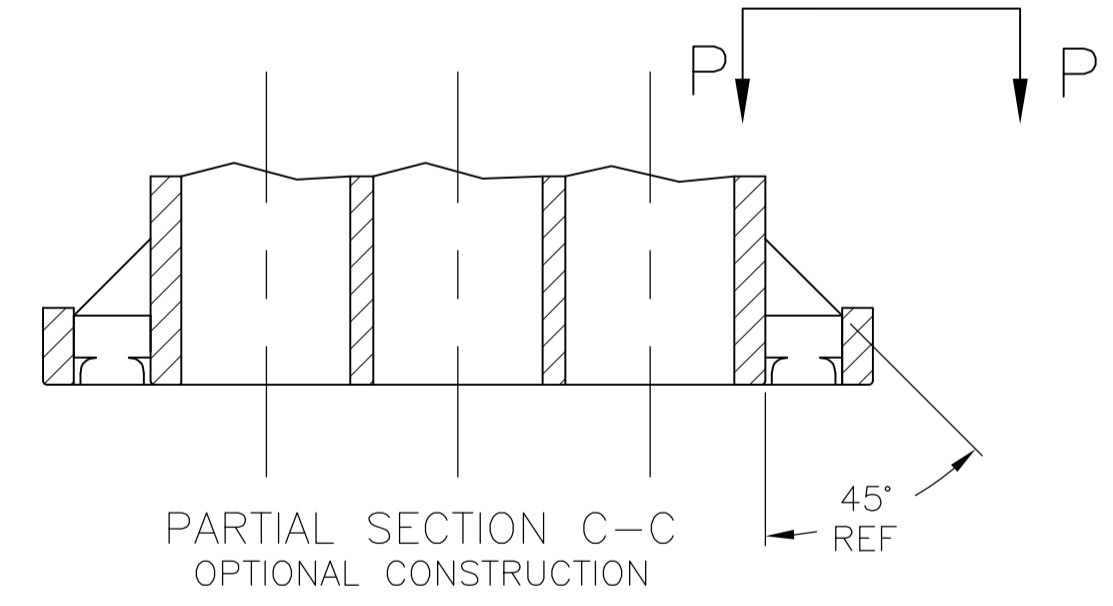
LOC		DIST		REVISIONS			
P	LTR	DESCRIPTION	DATE	DWN	APVD		
AL		REVISED PER ECO-13-000258	09JUL13	JR	TM		



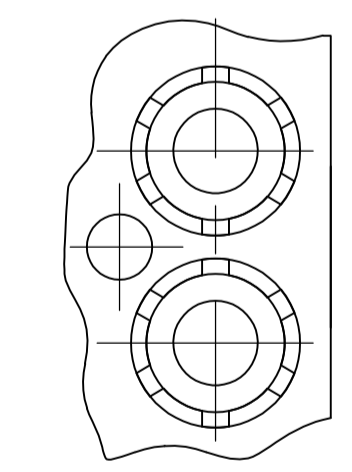
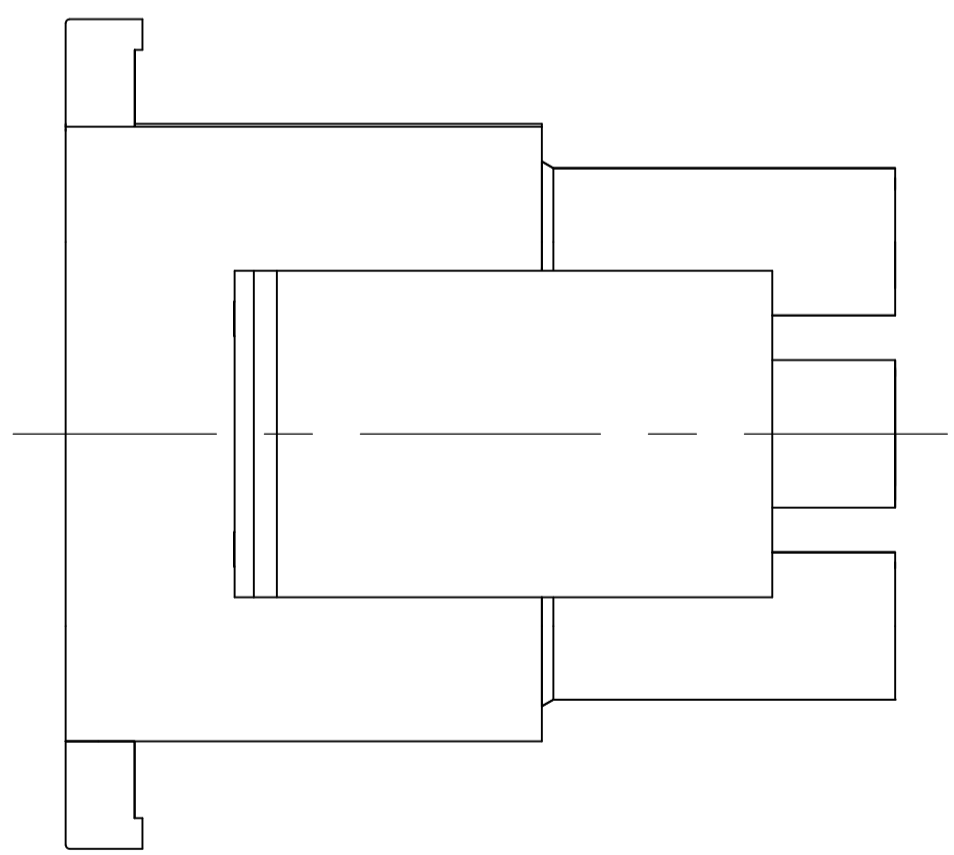
- MATES WITH APPROPRIATE UNIVERSAL MATE-N-LOK™ CAP OR HEADER.
- SMALL NICKS ARE PERMITTED ON THE CIRCUIT TOWERS WHICH COULD INCREASE THE INITIAL HOUSING MATING FORCE BY UP TO 4.4 NEWTONS [1.0 LBS]. NO INDIVIDUAL NICKED TOWER SHALL INCREASE THIS FORCE BY OVER 2.2 NEWTONS [.5 LBS].
- DIMENSION INDICATED IS AS MOLDED. ADDITIONAL GROWTH DUE TO SUBSEQUENT MOISTURE ABSORPTION MAY OCCUR.
- FOUR RIBS EQUALLY SPACED, NO SPECIFIC ORIENTATION, OR SIX RIBS EQUALLY SPACED, NO SPECIFIC ORIENTATION, OPTIONAL.
- UNDERWRITERS RECOGNIZED COMPONENT LOGO AND CSA CERTIFICATION LOGO TO BE LOCATED ONCE EACH ON SIDE OF HOUSING.
- OBSOLETE PARTS: OBSOLETE CIS STREAMLINING PER D.RENAUD/D.SINISI



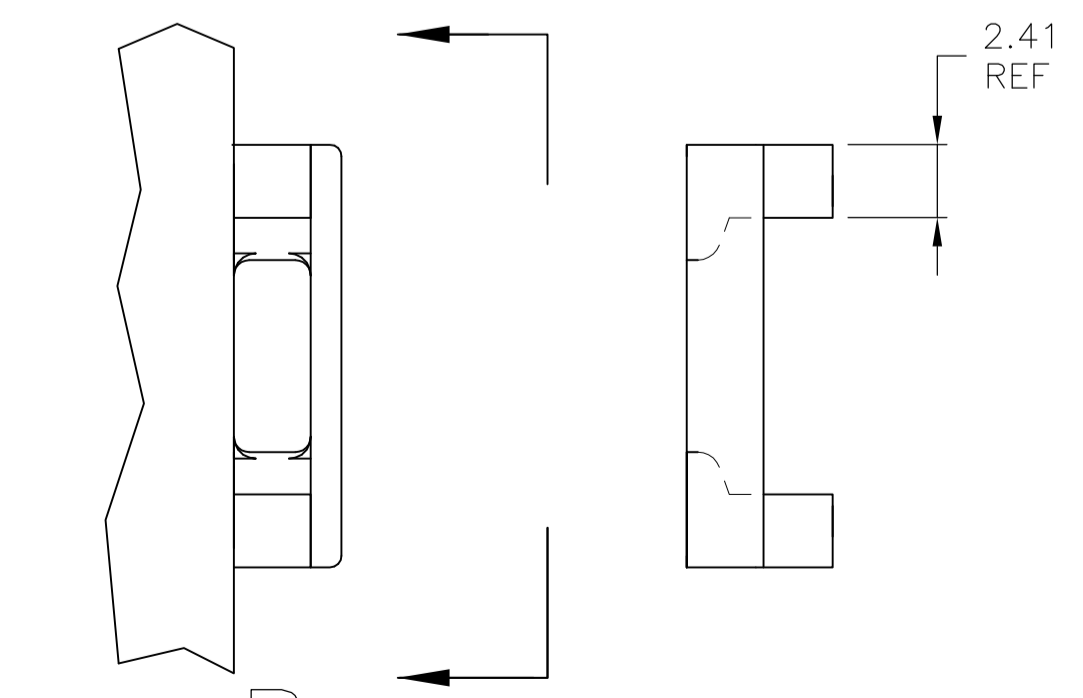
PARTIAL SECTION C-C



PARTIAL SECTION C-C
OPTIONAL CONSTRUCTION



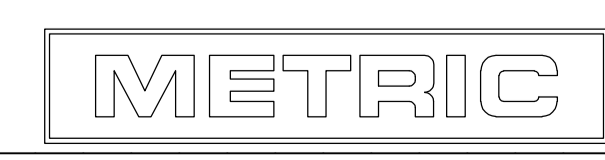
PARTIAL DETAIL A
OPTIONAL CONSTRUCTIONS

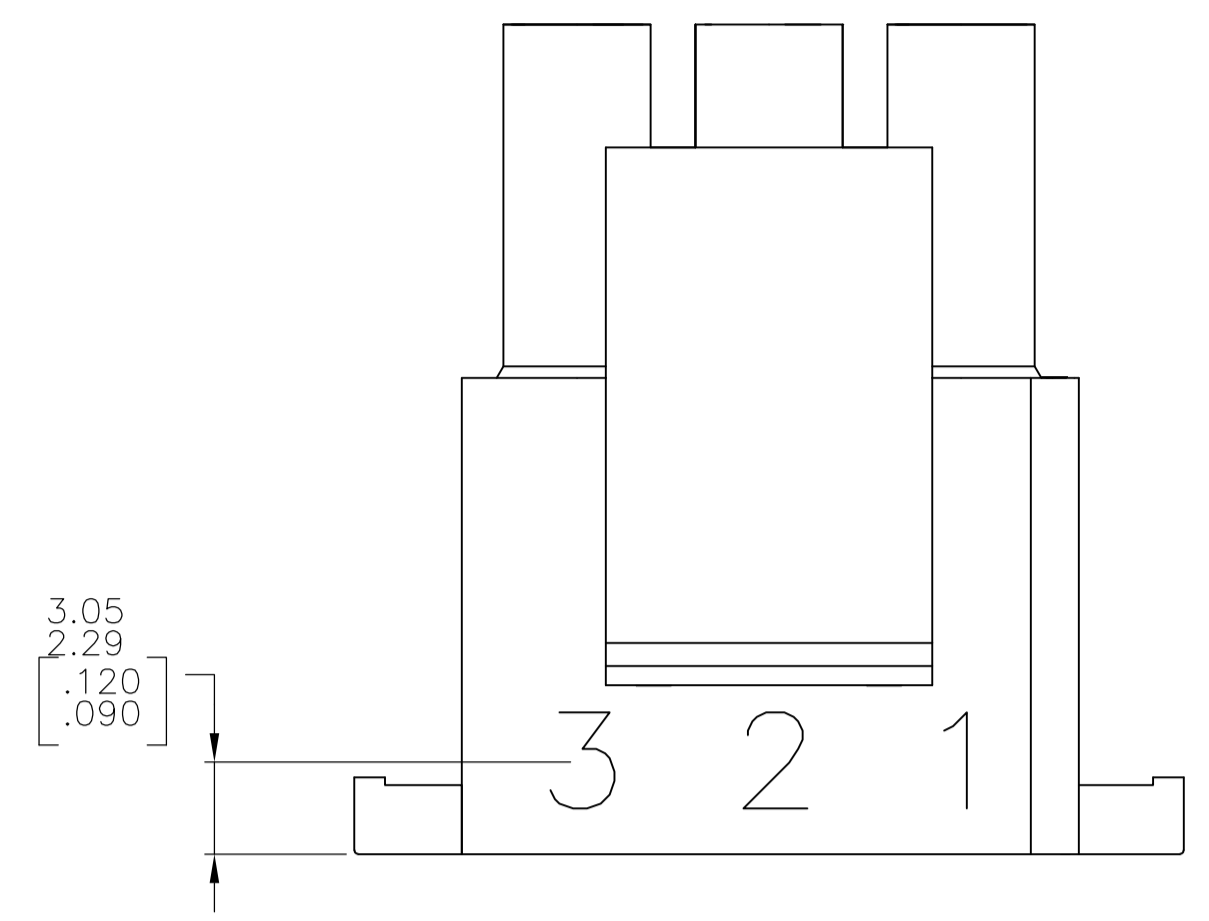


VIEW P
OPTIONAL CONSTRUCTIONS

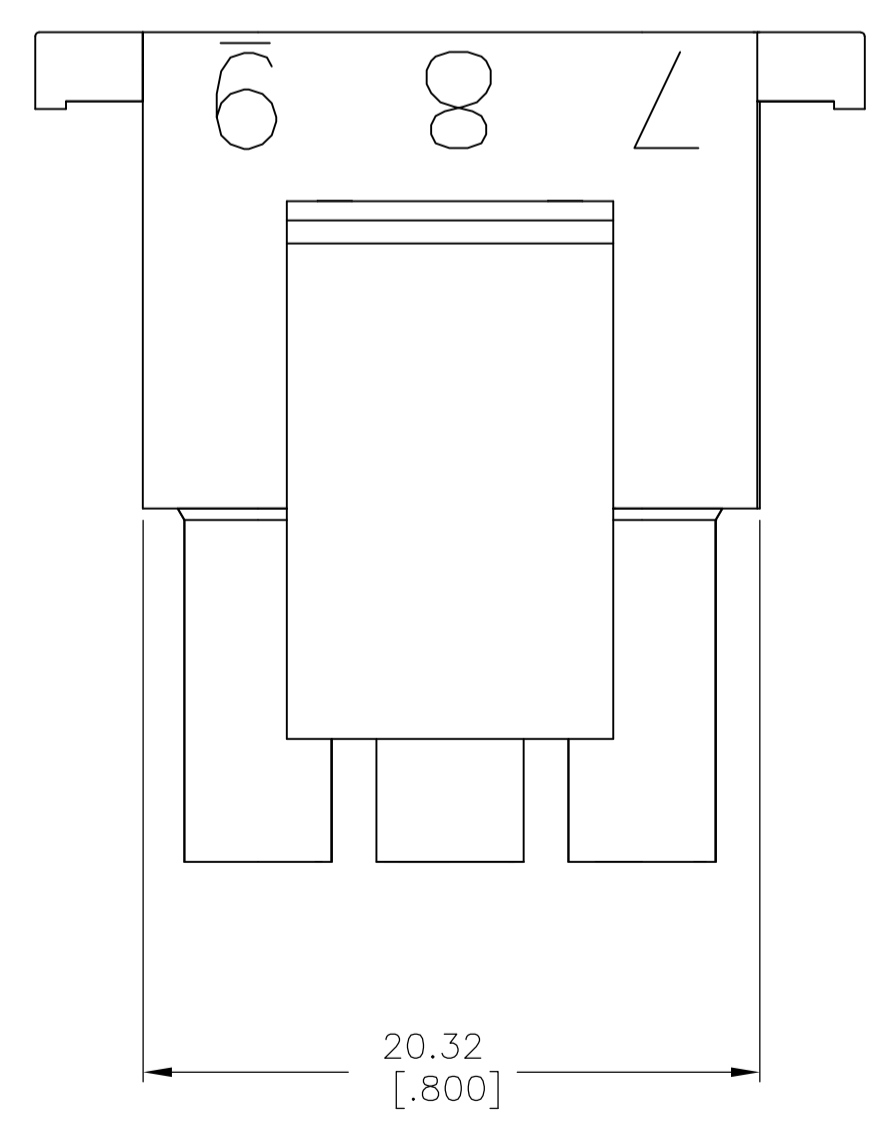
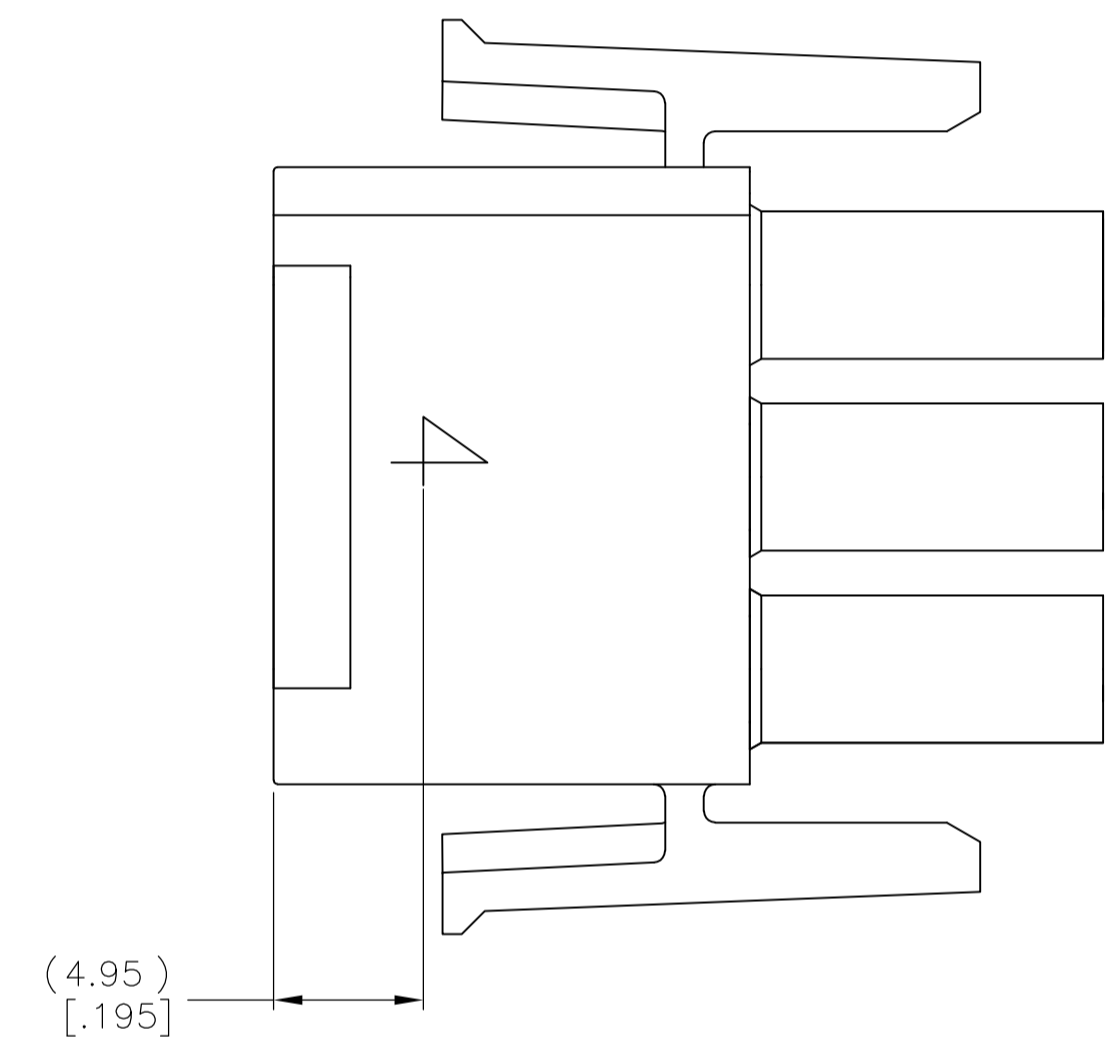
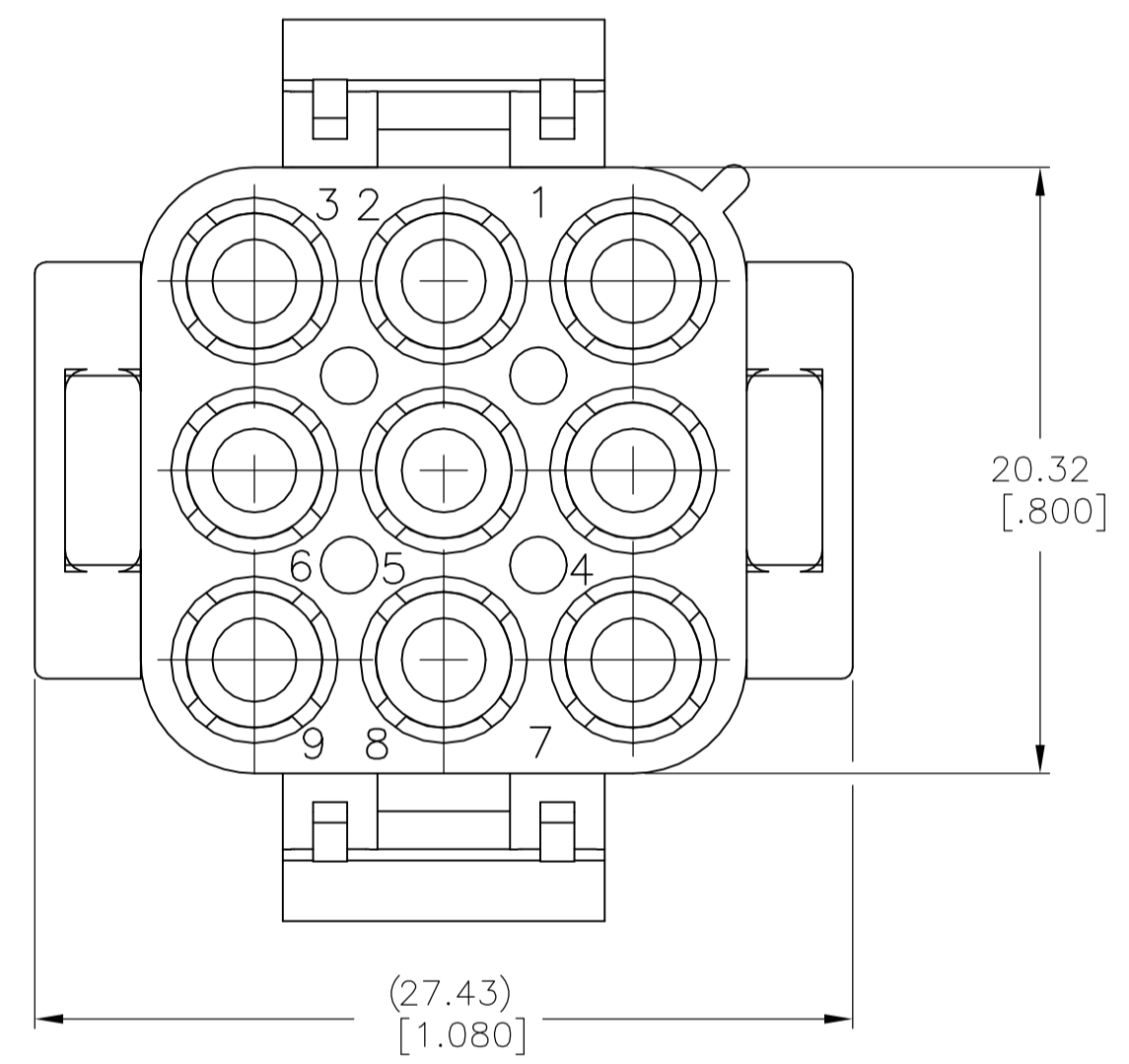
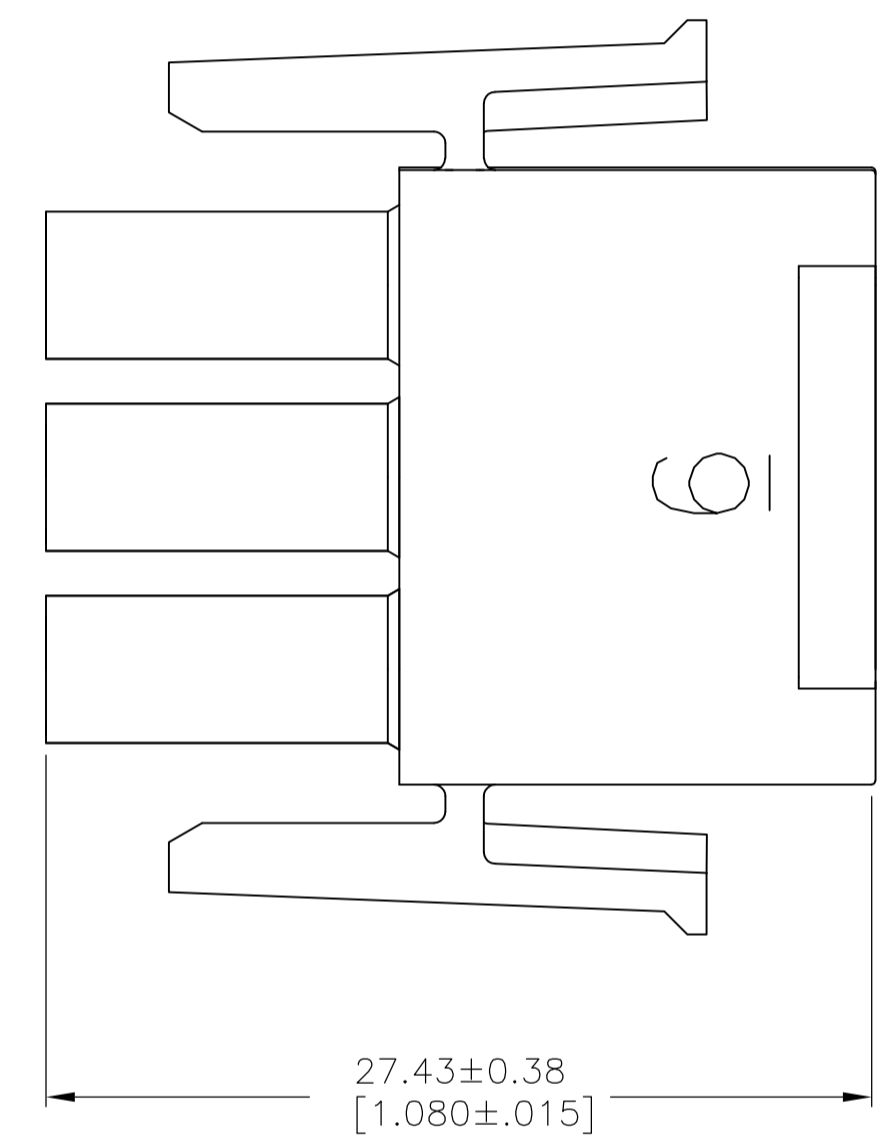
OBSCOLETE	COLOR	PART NO.
	BLACK	1-480706-9
6 SUPERCEDED BY 1-480706-0	GRAY	1-480706-8
	BLUE	1-480706-6
6 OBSOLETE	GREEN	1-480706-5
	YELLOW	1-480706-4
	ORANGE	1-480706-3
	RED	1-480706-2
	BROWN	1-480706-1
	NATURAL	1-480706-0
	COLOR	PART NO.

THIS DRAWING IS A CONTROLLED DOCUMENT.		DIN K. WHITAKER 01SEP04	STE TE Connectivity	
DIMENSIONS: mm [INCHES]		CHK S. RIDGILL 01SEP04	NAME PLUG, 9 CIRCUIT, UNIVERSAL MATE-N-LOK™	
TOLERANCES UNLESS OTHERWISE SPECIFIED:		APVD S. RIDGILL 01SEP04	SIZE CAGE CODE DRAWING NO. A1 00779 C=480706	
0. PLC ± -	1. PLC ± -	PRODUCT SPEC	RESTRICTED TO	
2. PLC ± 0.13 [0.005]	3. PLC ± -	APPLICATION SPEC	WEIGHT -	
4. PLC ± -	ANGLES ± 0.30°	FINISH -	CUSTOMER DRAWING	
MATERIAL NYLON, UL94V-2	FINISH -	SCALE 4:1	SHEET 1 OF 2	REV AL





1. STAMP NUMBERS 3.18 [.125] HIGH AT WIRE END OF HOUSING (12 POINT DAVID TYPE).
2. CHARACTERS TO BE POSITIONED ON HOUSING TO BE READ FROM WIRE END ONLY.
3. VIOLET, BLACK, BROWN, AND BLUE COLORED BLOCKS TO BE STAMPED WITH WHITE CHARACTERS. ALL OTHER COLORED BLOCKS TO BE STAMPED WITH BLACK CHARACTERS.



NATURAL	2-480706-0
COLOR	PART NUMBER

THIS DRAWING IS A CONTROLLED DOCUMENT.		DIN K. WHITAKER 01SEP2004		NATURE	
DIMENSIONS: mm [INCHES]		CHK S. RIDGILL 01SEP2004		COLOR	
TOLERANCES UNLESS OTHERWISE SPECIFIED:		APVD S. RIDGILL 01SEP2004		NATURE	
0 PLC	± -	NAME		PLUG, 9 CIRCUIT, UNIVERSAL MATE-N-LOK	
1 PLC	± -	PRODUCT SPEC		SIZE	
2 PLC	± 0.13 [.005]	APPLICATION SPEC		CAGE CODE	
3 PLC	± -	WEIGHT		DRAWING NO	
4 PLC	± -	CUSTOMER DRAWING		480706	
ANGLES	± 0.30°	SCALE		SHEET	
MATERIAL	FINISH	SCALE 4:1		SHEET 2 OF 2	
		REV		AL	

METRIC