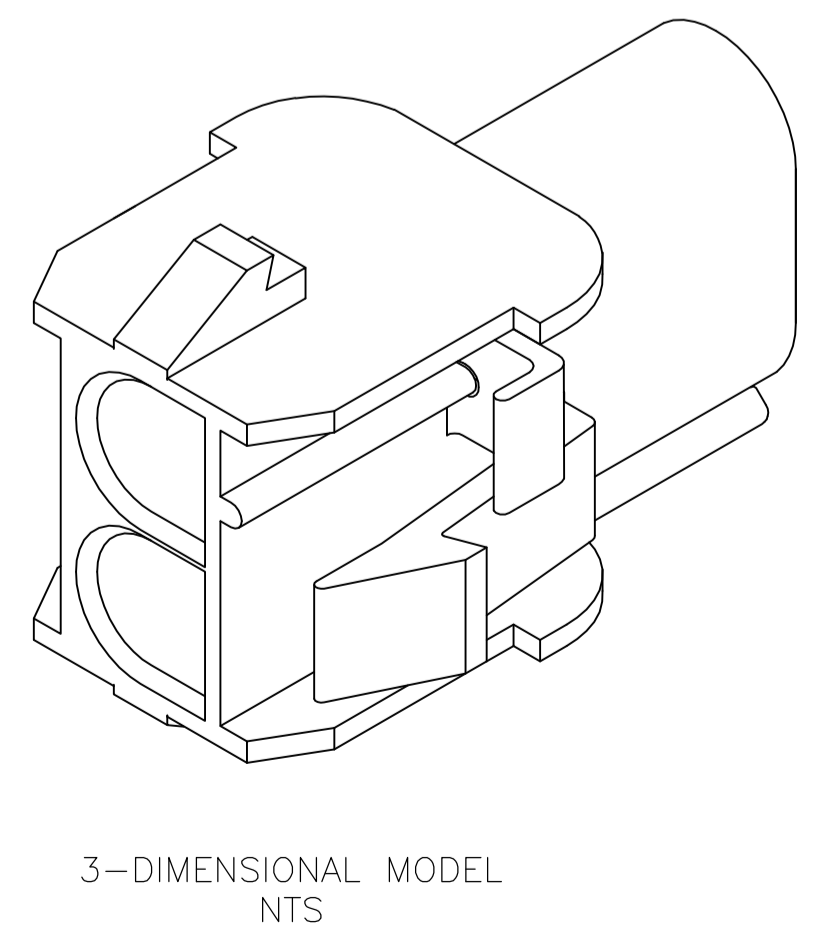
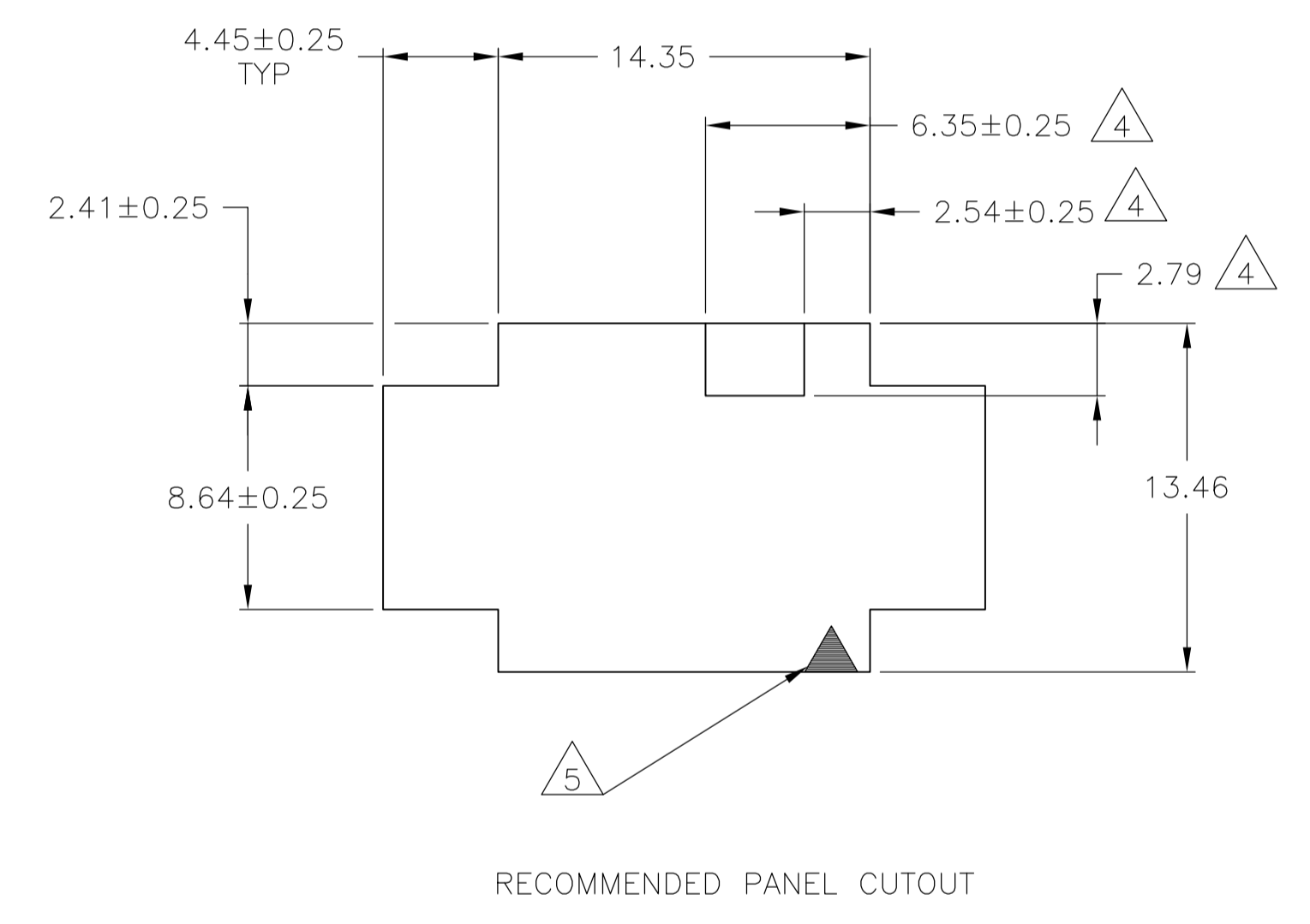
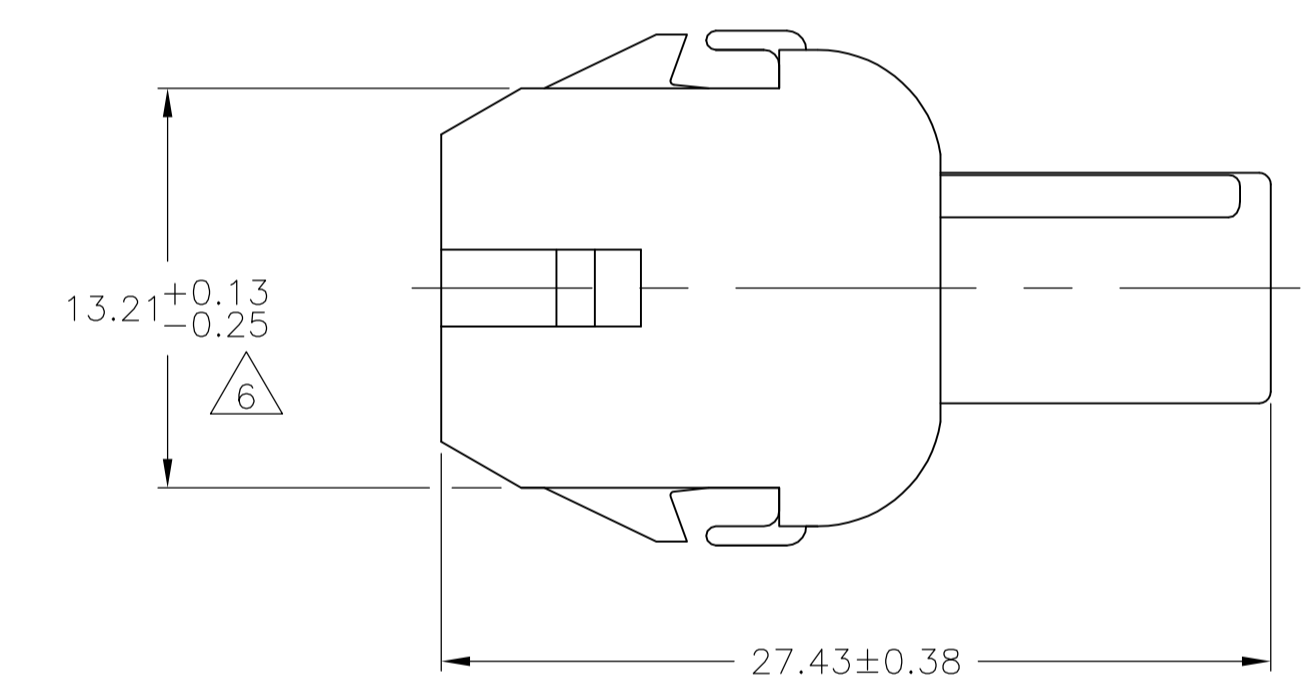
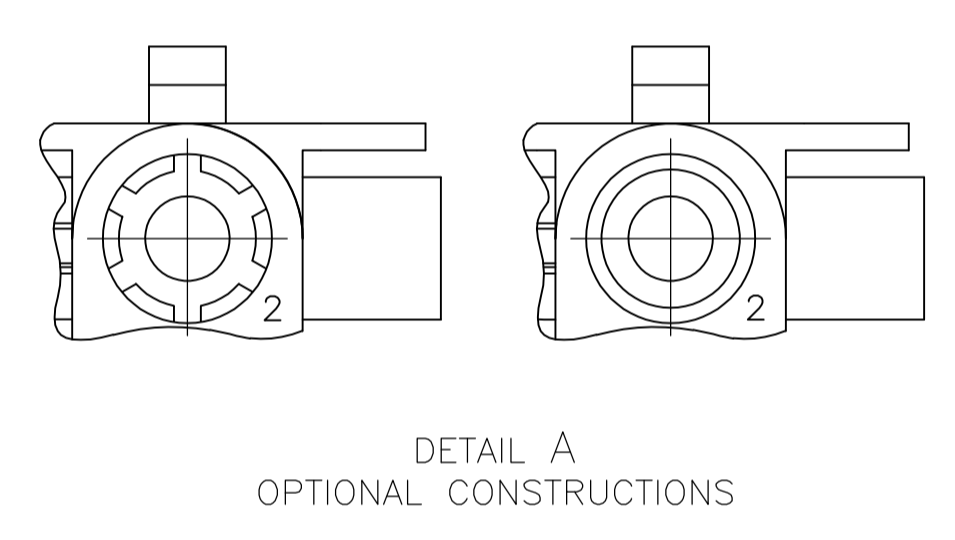


- MATES WITH APPROPRIATE UNIVERSAL MATE-N-LOK™ PLUG.
  - RECOMMENDED PANEL THICKNESS 0.76 - 2.29.
  - PANEL MUST BE PUNCHED SO THAT THE HOUSING ENTERS THE PANEL IN THE SAME DIRECTION AS THE PUNCH.
- △4 OPTIONAL FOR KEYING HOUSING IN PANEL.
  - △5 CIRCUIT NUMBER 1 LOCATION.
  - △6 DIMENSION INDICATED IS AS MOLDED. ADDITIONAL GROWTH DUE TO SUBSEQUENT MOISTURE ABSORPTION MAY OCCUR.
  - △7 FOUR RIBS EQUALLY SPACED, NO SPECIFIC ORIENTATION. NO RIBS OR SIX RIBS EQUALLY SPACED, NO SPECIFIC ORIENTATION, OPTIONAL.
  - △8 UNDERWRITERS RECOGNIZED COMPONENT LOGO AND CSA CERTIFICATION LOGO TO BE LOCATED ONCE EACH ON SIDE OF HOUSING.
  - △9 OBSOLETE PARTS: OBSOLETE CIS STREAMLINING PER D.RENAUD/D.SINISI



4.45	.175	27.43	1.080
2.79	.110	14.35	.565
2.54	.100	13.97	.550
2.41	.095	13.46	.530
2.29	.090	13.21	.520
0.76	.030	8.64	.340
0.38	.015	8.13	.320
0.25	.010	7.62	.300
0.13	.005	6.35	.250
MM	IN	MM	IN

CONVERSION TABLE

△9 SUPERSEDED BY 1-480699-0  
 △9 OBSOLETE

BLACK	1-480699-9
GREY	1-480699-8
BLUE	1-480699-6
GREEN	1-480699-5
YELLOW	1-480699-4
ORANGE	1-480699-3
RED	1-480699-2
BROWN	1-480699-1
NATURAL	1-480699-0
COLOR	PART NO.

THIS DRAWING IS A CONTROLLED DOCUMENT.

DIMENSIONS: mm	TOLERANCES UNLESS OTHERWISE SPECIFIED:	DIN K. WHITAKER 24JUL92	CHK R. SWING 24JUL92	APPRO D. SELF 27JUL92	NAME
0. PLC ± -	1. PLC ± -	2. PLC ± 0.13	3. PLC ± -	4. PLC ± -	ANGLES ± 1° 0'
MATERIAL NYLON,UL 94V-2	FINISH -	WEIGHT -	SIZE A1	CAGE CODE 00779	DRAWING NO. 480699

STE TE Connectivity

CAP.2 CIRCUIT, UNIVERSAL MATE-N-LOK (TM)

CUSTOMER DRAWING SCALE 4:1 SHEET 1 OF 1 REV AG2

