
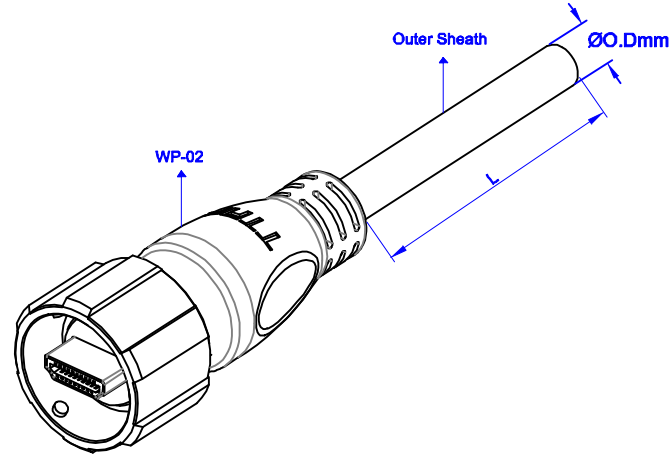


Drawing dimensions "mm"

VIEW	TOLERANCE	
	0-10	±1
	11-250	±5
	251-500	±10
	501-1000	±20
	1001-3000	±50
UNIT: mm	3001-5000	±100
	5001->	±150



ORDER CODE:

WP-02 XXXX XX X

→ Color : B: Black

→ Cable : BM: UL20276 26 AWG O.D: 8.50 ±0.20mm

→ Length : L (mm)

MOLDING METARIAL: PA6

CONDUCTOR: TINNED COPPER

INSULATION METARIAL: FM-PE+SKIN / HD-PE

JACKET METARIAL: MATT PVC

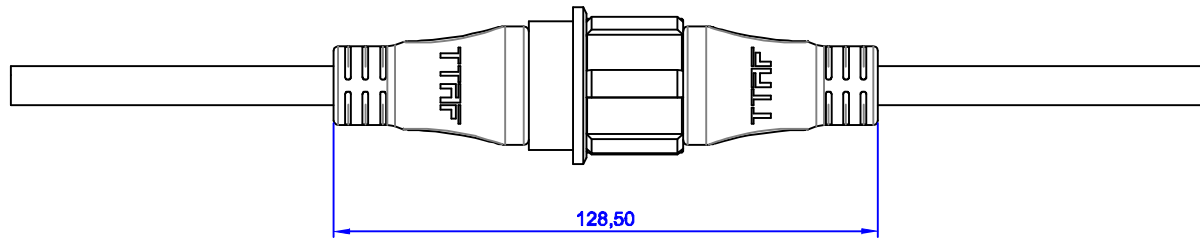
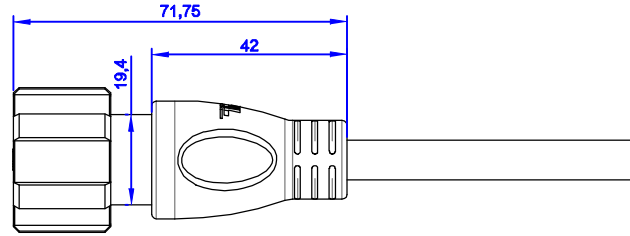
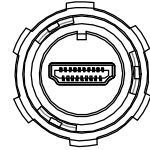
Date	02.12.2016	Rev.	-	Revision Detail		Rev.Dt.		Rev.by		Part No	WP-02 WATERPROOF HDMI CABLE MALE		
Designed by	Yeşim AKSOY									Drawing Nr.	Scale	Sheet No	
Checked by	Fatih BOLACA									-	NONE	1/2	



Drawing dimensions "mm"

VIEW	TOLERANCE	
	0-10	±1
	11-250	±5
	251-500	±10
	501-1000	±20
	1001-3000	±50
UNIT: mm	3001-5000	±100
	5001- >	±150

MALE



Number of Contacts 19
 Wire Gauge 28 - 32 AWG
 Cable Range 5.5mm - 9.5mm
 IP Rating IP67
 Mechanical Life 10000 Sökme Takma
 Operating Temperature -40°C - 85°C
 Contact Resistance 30mΩ
 Voltage Rating 40V
 Rated Current (40°C) 0.5A

MOLDING METARIAL: PA6
 CONDUCTOR: TINNED COPPER
 INSULATION METARIAL: FM-PE+SKIN / HD-PE
 JACKET METARIAL: MATT PVC

Date	02.12.2016	Rev.	Revision Detail	Rev.Dt.	Rev.by	Part No		
Designed by	Yeşim AKSOY	-				WP-02 WATERPROOF HDMI CABLE FEMALE CONNECTION DETAILS		
Checked by	Fatih BOLACA							
						Drawing Nr.	Scale	Sheet No
						-	NONE	2/2