

1

2

3

4

5

6

UNLABELED TOLERANCE					
X.	±0.35	X.XX	±0.20	X.°	±2°
X.X	±0.25	X.XXX	±0.10	X.X°	±1°

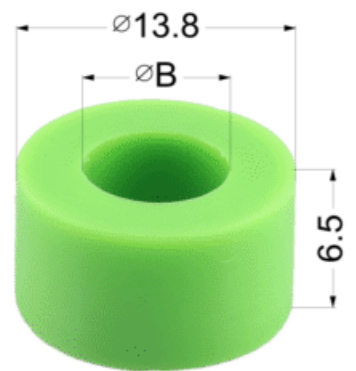
NOTES:

- 1.MATERIAL: PA66、BRASS、SILICONE;
- 2.CERTIFICATION:ROHS/cUL/TUV/SAA/CE;
- 3.FIRE-PROOT:UL94-V2。
- 4.NO DEFECT IN APPEARANCE;
- 5.UNITS: mm;
- 6.CONDUCTION TEST:THE TWO ENDS OF THE 3 CORE JOINTS ARE RESPECTIVELY CONNECTED
- 7.A、 MAXIMUM CURRENT-CARRYING CAPACITY:400V/24A
- B、 TEST VOLTAGE: 2500V
- C、 SUITABLE FOR CABLES CROSS SECTIONS: 0.5-2.5mm<sup>2</sup>
- D、 OPERATING TEMPERATURE RANGE: -40~+105°C
- E、 PROTECTION CLASS: IP68

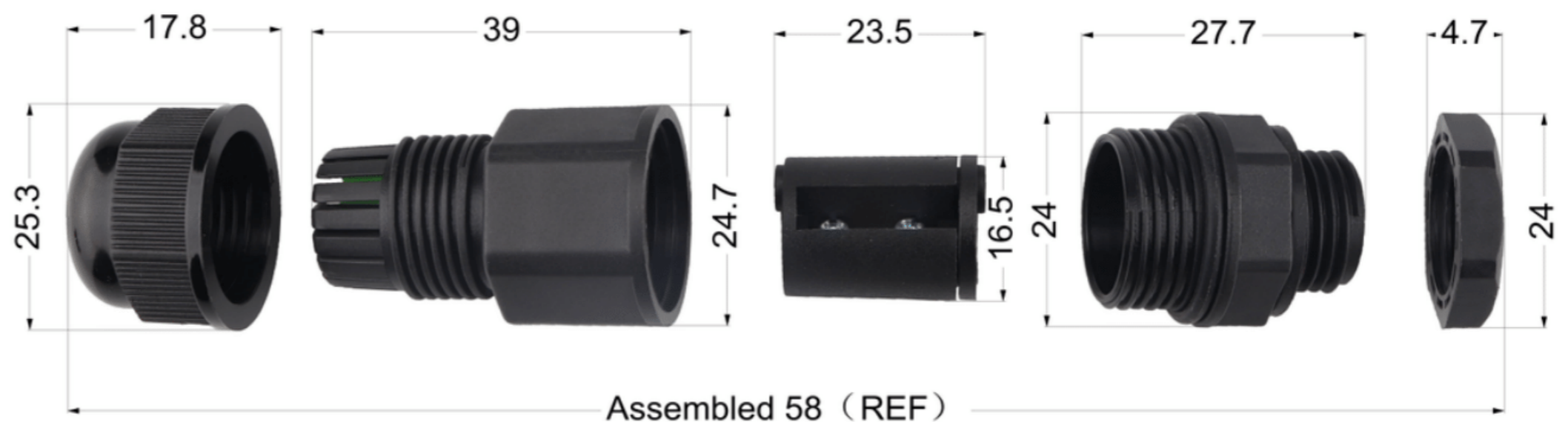


3 Pins

Silicone parts



φB	Wire OD
φ10.2	φ7-10mm



Date	-	Rev.	Revision Detail	Rev.Dt.	Rev.by	Part No		
Designed by	Rabia MUZAÇ	-				3 Pin Vidalı Su Geçirmez Panel Tipi I Konnektör IP68		
Checked by	Ersin YÜKSEL					Drawing Nr.	Scale	Sheet No
						WPP-L03-03M24	NONE	1/1

1

2

3

4

5

6

A4