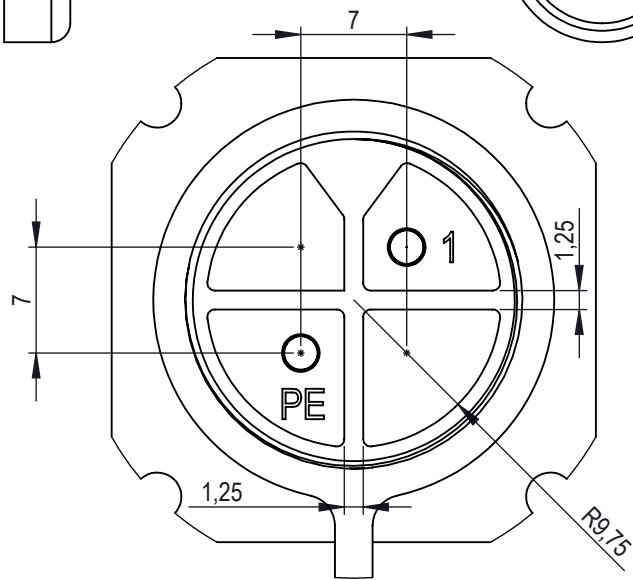
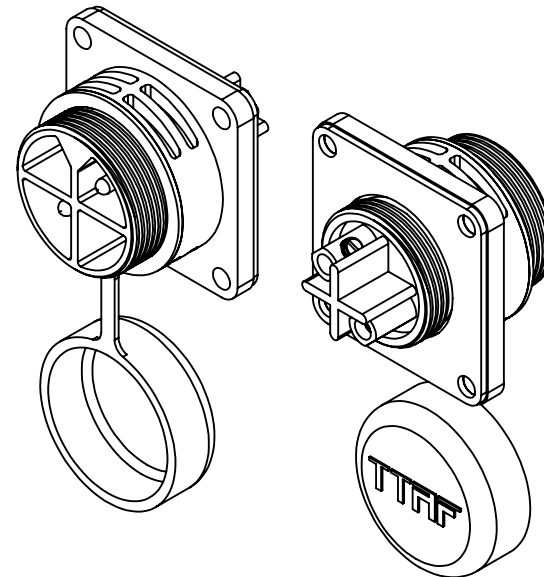
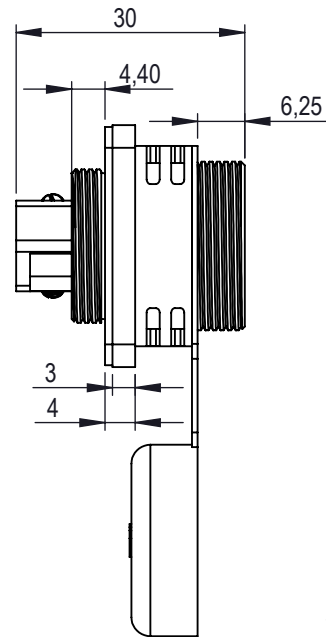
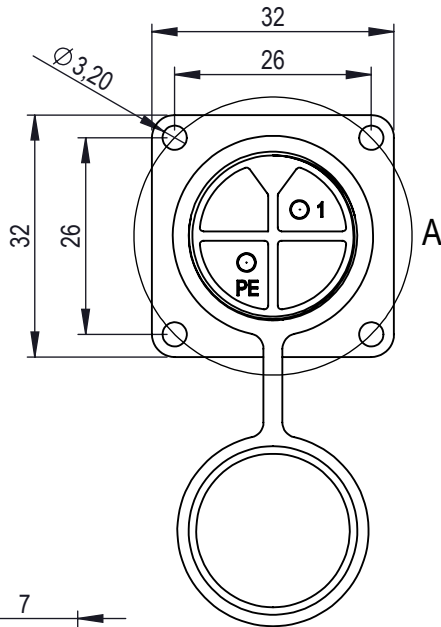
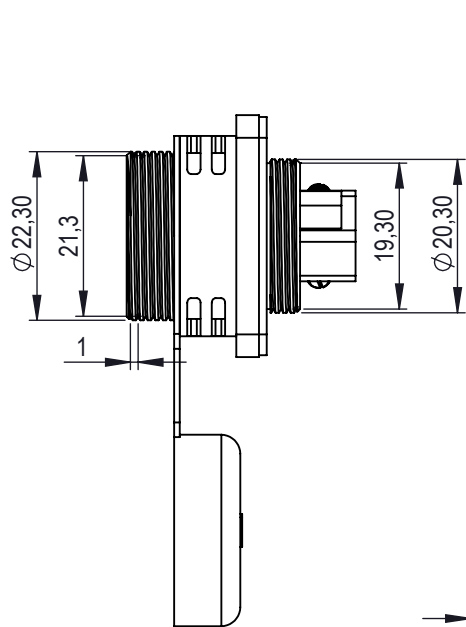


| TOL. UNLESS SPECIAL<br>SEE STANDARD TOLERANCE |        | Scale To Fit |         |         |          |  |
|---|--------|--------------|---------|---------|----------|--|
| NOMINAL<br>DIMENSION                          | 0-30   | 30-100       | 100-200 | 200-400 | 400-1000 |  |
| 0   | ± 0.1  | ± 0.2        | ± 0.3   | ± 0.5   | ± 1      |  |
| 0.0   | ± 0.05 | ± 0.05       | ± 0.1   | ± 0.2   | ± 0.3    |  |
| 0.00  | ± 0.01 | ± 0.02       | ± 0.05  | ± 0.05  | ± 0.1    |  |



DETAIL A  
scale 2 : 1

### Technical Specifications

|                           |                          |
|---------------------------|--------------------------|
| Number of Poles           | 2                        |
| Voltage Rating            | 250VAC max.              |
| Current Rating            | 20A max.                 |
| Cable Cross Section Area  | 0,5 ~ 2,5mm <sup>2</sup> |
| Durability Voltage        | 3000VAC@60s.             |
| Insulation Structure      | 500 MΩ at 500VDC         |
| Contact Resistance        | 30 mΩ max.               |
| Min Wire Size OD          | 6mm                      |
| Max Wire Size OD          | 10mm                     |
| Operating Temperature     | -40°C ~ +85°C            |
| IP Rating                 | IP68(10m / 60min.)       |
| Mold Material             | PA6                      |
| Contact/Terminal Material | Nickel-Plated Brass      |
| Seal Material             | Silicone                 |

| Date     | 03.07.2018      | Signature | Rev. | Revision Detail | Rev.Date | By | Drawing Description |       |       |
|----------|-----------------|-----------|------|-----------------|----------|----|---------------------|-------|-------|
| Drawn    | Zafer BOLUKBASI |           | -    |                 | -        | -  | WPP-0200M20         |       |       |
| Checked  | Dilek TUNCER    |           |      |                 |          |    |                     |       |       |
| Approved | Talat SAHIM     |           |      |                 |          |    |                     |       |       |
|          |                 |           |      |                 |          |    | Drawing No          | Scale | Sheet |
|          |                 |           |      |                 |          |    | -                   | 1:1   | 1/1   |

