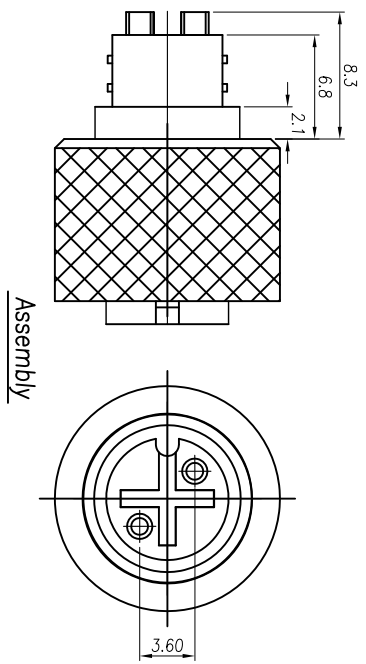


- 1. MATERIAL :
 - 1-1. HOUSING : PBT UL94V-0 ; COLOR : BLACK
 - 1-2. CONTACT : BRASS
 - 1-3. NUT : BRASS
 - 1-4. O-RING : EPDM : BLACK
- 2. FINISH :
 - 2-1. CONTACT A : 10 MICRO INCHES MIN. GOLD PLATED UNDER PLATE : NICKEL
 - 2-2. NUT: NICKEL PLATED 60u" ~ 100u" OVER ALL
- 3. ELECTRICAL SPECIFICATION :
 - 3-1. Rated current : 5A
 - 3-2. Voltage :125V
 - 3-3. Water proof: IPX7
- 4. Environmental :
 - 4-1. Operation Temperature : -40C~85C



Date	20.05.2011	Rev.	-	Revision Detail	Rev.Dt.	Rev.by	Part No
Designed by	ZAFER						
Checked by	A.BAHÇIVAN						TT12F2P-W-A-10-6-P-2-G10-B-N
Drawing Nr.	-	Scale	NONE	Sheet No	1/1		

