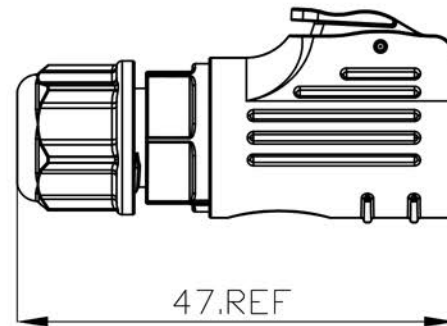
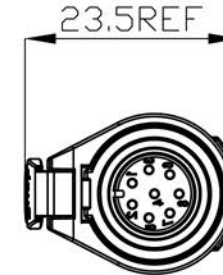
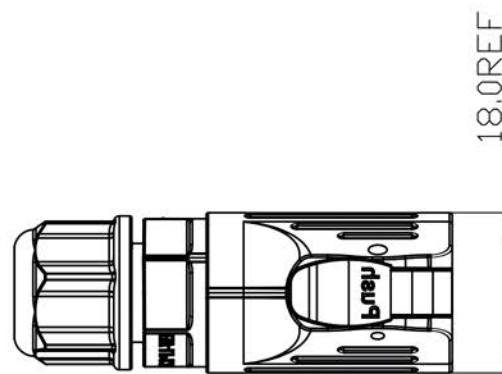
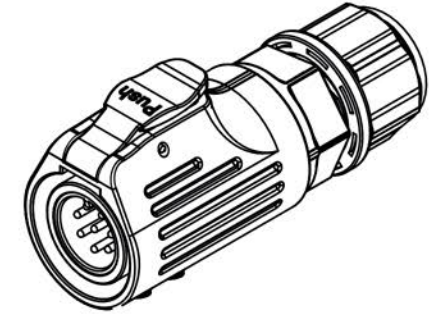


Unspecified tolerance

X. ± 0.50 X.° $\pm 3^\circ$
X.X ± 0.3 X.X° $\pm 2^\circ$



Technical parameters:

- 1、Housing material:PBT high performance engineering plastic
- 2、IP rating: IP67 (Selectable IP68 1m/2h)
- 3、Rated current: 3A
- 4、Rated voltage: AC 100V
- 5、Withstand voltage:AC 1000V
- 6、Fire rating:UL94 V-0
- 7、Wire section: 0.34mm² /22AWG
- 8、Operating temperature: -40~+85°C
- 9、Certifications: UL/TUV/RoHS/CE
- 10、Pluggable life: ≥ 1900 times
- 11、Number of poles:8P

Date	16.04.2024	Rev.		Revision Detail		Rev.Dt.		Rev.by		Part No		
Designed by	Rabia MUZAÇ		-							M12 7PIN KABLO TIPI ERKEK SOKET		
Checked by	Ersin YÜKSEL										Drawing Nr.	Scale
										TT12-08M-SX	NONE	1/1