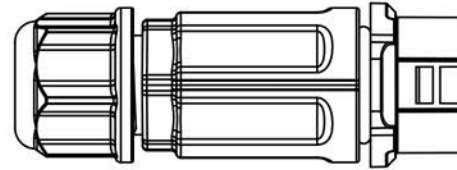
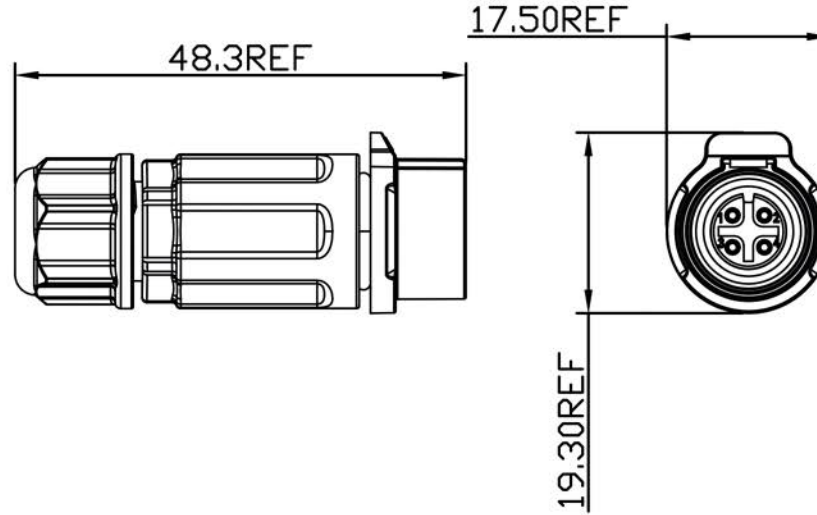
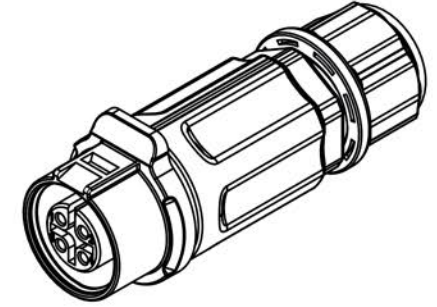


Unspecified tolerance

X.  $\pm 0.50$  X. °  $\pm 3^\circ$   
X.X  $\pm 0.3$  X.X°  $\pm 2^\circ$



### Technical parameters:

- 1、Housing material:PBT high performance engineering plastic
- 2、IP rating: IP67 (Selectable IP68 1m/2h)
- 3、Rated current: 5A
- 4、Rated voltage: AC 125V
- 5、Withstand voltage:AC 1500V
- 6、Fire rating:UL94 V-0
- 7、Wire section: 0.5mm<sup>2</sup>/20AWG
- 8、Operating temperature: -40~+85°C
- 9、Certifications: UL/TUV/RoHS/CE
- 10、Pluggable life:  $\geq 1900$  times
- 11、Number of poles:4P

Date	16.04.2024	Rev.		Revision Detail		Rev.Dt.		Rev.by		Part No		
Designed by	Rabia MUZAÇ		-							M12 4PİN KABLO TİPİ Dişi SOKET		
Checked by	Ersin YÜKSEL										Drawing Nr.	Scale
										TT12-04F-SX	NONE	1/1

