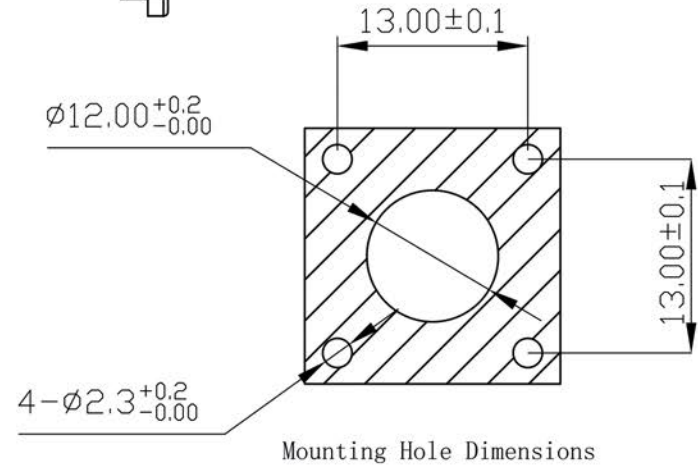
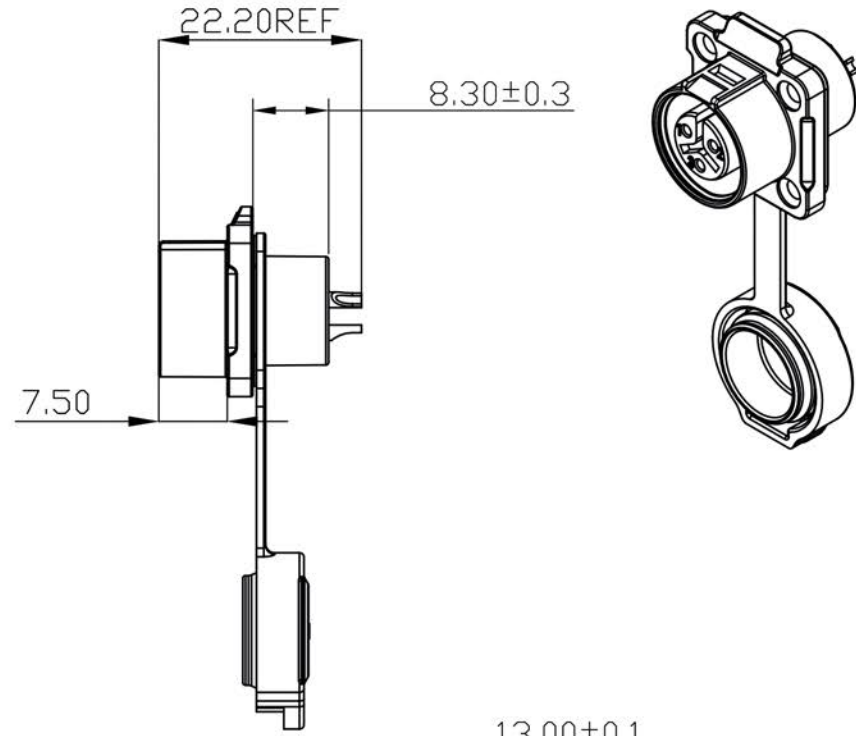
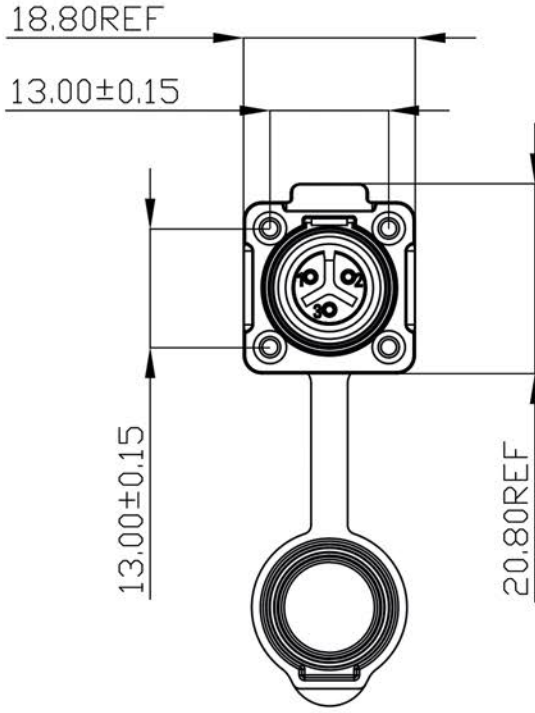



Unspecified tolerance

X. ±0.50 X.° ±3°
X.X ±0.3 X.X° ±2°



Date	16.04.2024	Rev.		Revision Detail		Rev.Dt.		Rev.by <td></td> <th>Part No</th> <td></td>		Part No		
Designed by	Rabia MUZAÇ		-							M12 3PİN PANEL TİPİ DIŞI PLUG		
Checked by	Ersin YÜKSEL										Drawing Nr.	Scale
										TT2-03F-PE	NONE	1/1