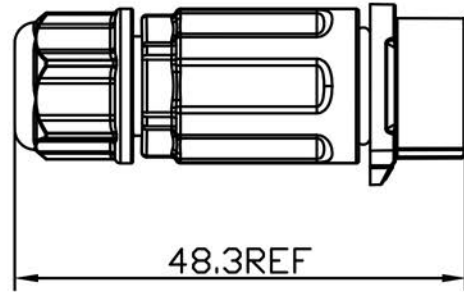
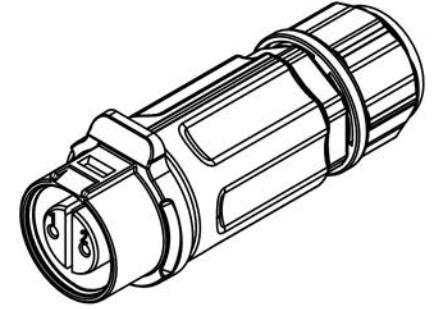
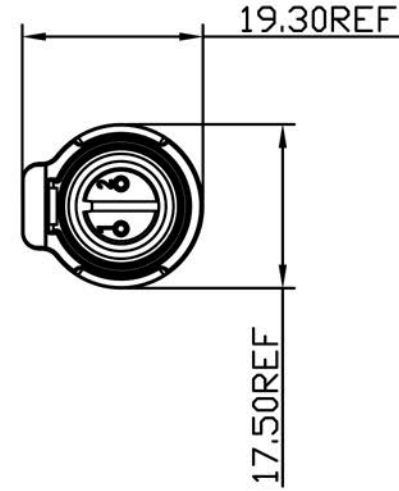
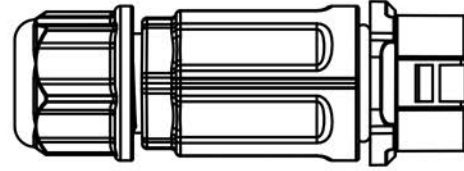


Unspecified tolerance

X. ± 0.50	X. ° $\pm 3^\circ$
X.X ± 0.3	X.X ° $\pm 2^\circ$



Technical parameters:

1. Housing material: PBT high performance engineering plastic
2. IP rating: IP67 (Selectable IP68 1m/2h)
3. Rated current: 5A
4. Rated voltage: AC 125V
5. Withstand voltage: AC 1500V
6. Fire rating: UL94 V-0
7. Wire section: 0.5mm² / 20AWG
8. Operating temperature: -40~+85°C
9. Certifications: UL/TUV/RoHS/CE
10. Pluggable life: ≥ 1900 times
11. Number of poles: 2P

Date	16.04.2024	Rev.		Revision Detail		Rev.Dt.		Rev.by		Part No		
Designed by	Rabia MUZAÇ		-							M12 2PİN KABLO TİPİ DİŞİ SOKET		
Checked by	Ersin YÜKSEL										Drawing Nr.	Scale
										TT2-02F-SX	NONE	1/1