

VIEW	TOLERANCE
	0-5 ±0.1
	6-10 ±0.25
	11-50 ±0.5
	51-100 ±1
UNIT: mm	101-250 ±2
	251-500 ±5
	501-1000 ±10
	1000-2000 ±20

1. Product Description

No.	Description Item	
1	Round USB3.0 waterproof socket, universal interface, plug and play	✓
2	Waterproof rating IP65 when locked with waterproof plug	✓
3	The rear nut is fixed and installed without screws, ROHS certified	✓
4	Shell is reinforced nylon PA6BG33 with gold-plated contacts	✓

2. Technical Parameter

1. Material:

Shell: PA6BG33C

Contact: copper, gold plated

Hex: brass

2. Temperature:

Range: -25°C - 65°C

3. Electrical Parameter:

Transmission performance: Support 5Gbps transmission on both sides

On-impedance: $\leq 5 \Omega$

Insulation impedance: $\geq 10M \Omega$

DC 300V/10ms

4. Mechanical Parameter

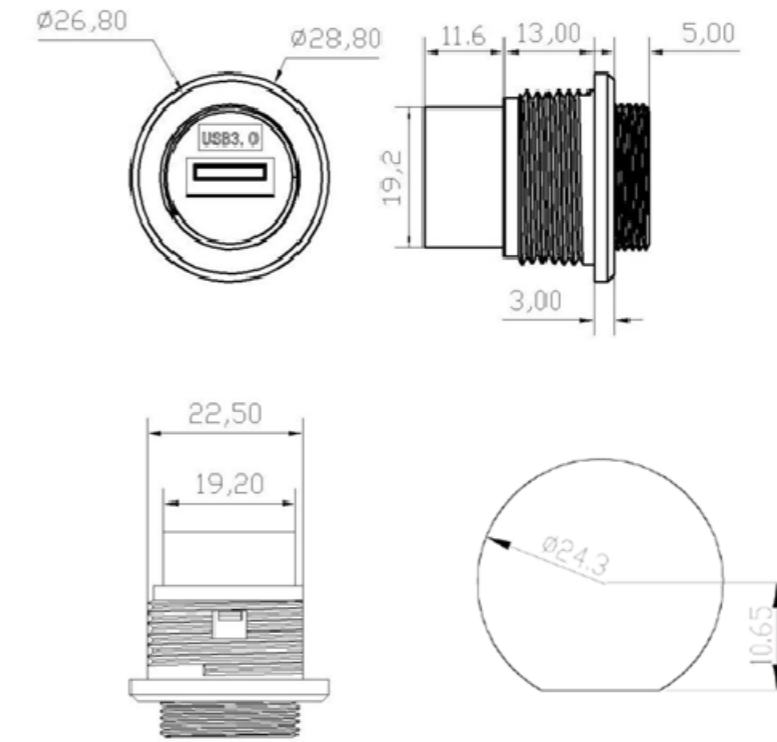
Service life, measured in connection times ≤ 750

Locking device, thread fastening

Product Picture



Product Size: MM



Date	26.06.2024	Rev.	-	Revision Detail		Rev.Dt.		Rev.by		Part No		
Designed by	Rabia MUZAÇ									WATERPROOF USB DATA CONNECTOR		
Checked by	Ersin YÜKSEL											
										Drawing Nr.	Scale	Sheet No
										TT-N-SUSB3.0S-WP	NONE	1/1