

VIEW	TOLERANCE
	0-5 ±0.1
	6-10 ±0.25
UNIT: mm	11-50 ±0.5
	51-100 ±1
	101-250 ±2
	251-500 ±5
	501-1000 ±10
	1000-2000 ±20

### 1. Product Description

No.	Description Item	
1	USB3.0 pass through converter	✓
2	Shell is zinc alloy, gold-plated contact	✓
3	Metal cover plate, durable	✓
4	Plug and play, signal stability	✓
5	Passed CE, Rohs certification	✓

### 2. Technical Parameter

#### 1、Material:

Cover plate: zinc alloy, nickel-plated

Main body: PA6BG33

Contact: copper, gold plated

#### 2、Temperature:

Range: -25°C - 65°C

#### 3、Electrical Parameter:

Transmission performance: Support 5Gbps transmission on both sides

On-impedance:  $\leq 5 \Omega$

Insulation impedance:  $\geq 10M\Omega$

DC 300V/10ms

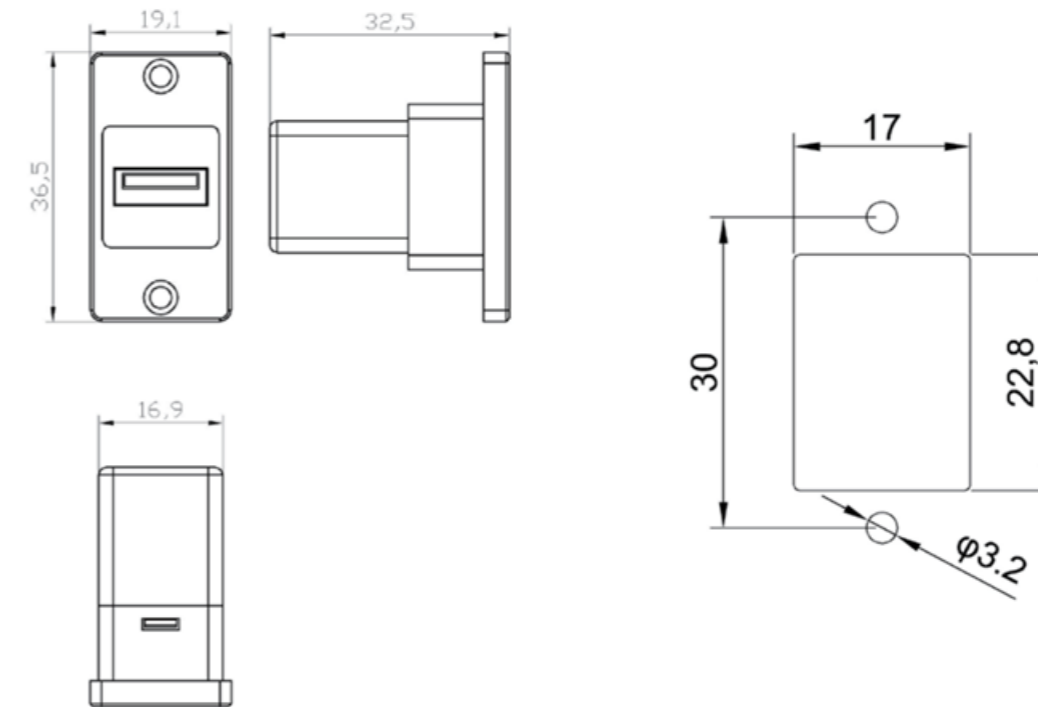
#### 4、Mechanical Parameter

Service life  $\leq 750$  times

### Product Picture



### Product Size: MM



Date	26.06.2024	Rev.	Revision Detail	Rev.Dt.	Rev.by	Part No		
Designed by	Rabia MUZAÇ	-				USB DATA CONNECTOR		
Checked by	Ersin YÜKSEL							
						Drawing Nr.	Scale	Sheet No
						TT-N-SUSB3.0FM-C	NONE	1/1