

VIEW	TOLERANCE
	0-5 ±0.1
	6-10 ±0.25
	11-50 ±0.5
UNIT: mm	51-100 ±1
	101-250 ±2
	251-500 ±5
	501-1000 ±10
	1000-2000 ±20

1. Product Description

No.	Description Item	
1	Round USB3.0 socket, universal USB interface, plug and play	✓
2	Inner casing is reinforced nylon PA6BG33, contact 6U gold plated	✓
3	Metal case, rugged, silver/black optional	✓

2. Technical Parameter

1.Material:

Shell: Aluminum alloy
Contact: copper, gold plated
Recoil plate: stainless steel
Hex: brass

2.Temperature:

Range: -25°C - 65°C

3.Electrical Parameter:

Transmission performance: Support 5Gbps transmission on both sides
On-impedance: $\leq 5 \Omega$
Insulation impedance: $\geq 10M \Omega$
DC 300V/10ms

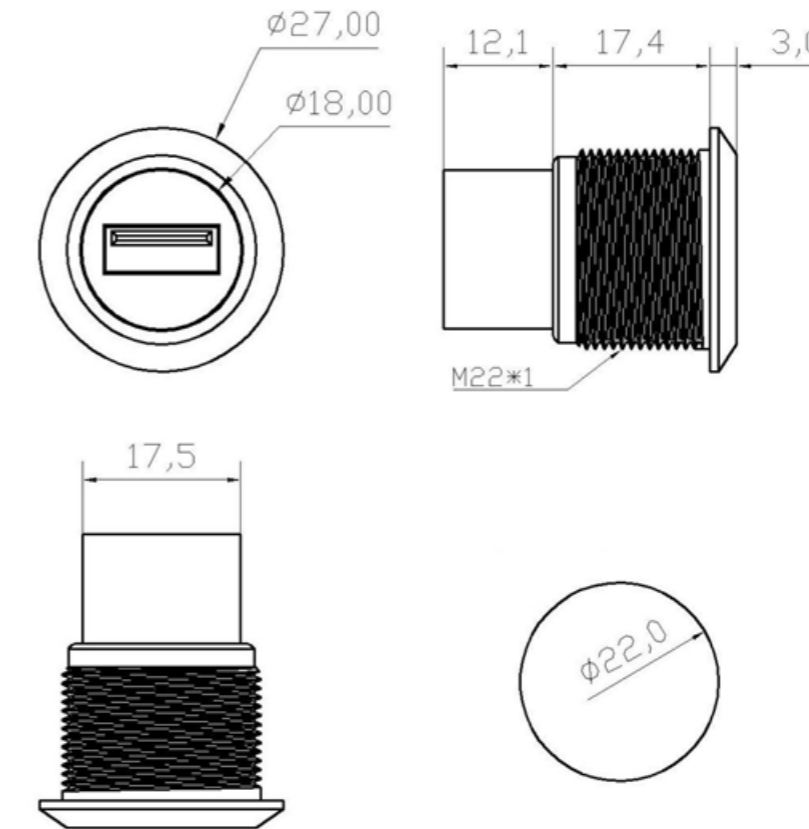
4.Mechanical Parameter

Service life, measured in connection times ≤ 750

Product Picture



Product Size: MM



Date	26.06.2024	Rev.	Revision Detail	Rev.Dt.	Rev.by	Part No		
Designed by	Rabia MUZAÇ	-				USB DATA CONNECTOR		
Checked by	Ersin YÜKSEL							
						Drawing Nr.	Scale	Sheet No
						TT-N-SUSB3.0-22-JB	NONE	1/1

A
B
C
D

A
B
C
D