

VIEW	TOLERANCE	
	0-5	±0.1
	6-10	±0.25
	11-50	±0.5
	51-100	±1
UNIT: mm	101-250	±2
	251-500	±5
	501-1000	±10
	1000-2000	±20

1. Product Description

No.	Description Item	
1	Round TYPE-C waterproof panel socket, used for digital TV and computer video signal transmission, double side support 5Gbps transmission, plug and play.	√
2	Waterproof rating IP65 when locked with waterproof plug.	√
3	Shell made of reinforced nylon PA6BG33, ROHS certified.	√
4	The rear thread is fixed, convenient and fast.	√
5	Suitable for industrial, automation, medical equipment installation.	√

2. Technical Parameter

1. Material :

Shell: Reinforced Nylon PA6BG33

Chip contact: copper, gold plated

2. Temperature :

Range : -25°C - 65°C

3. Electrical Parameter :

Both sides support 5Gbps transmission

On-impedance: $\leq 5 \Omega$

Insulation impedance: $\geq 10M \Omega$

Power supply: 5V 2.1A-2.4A

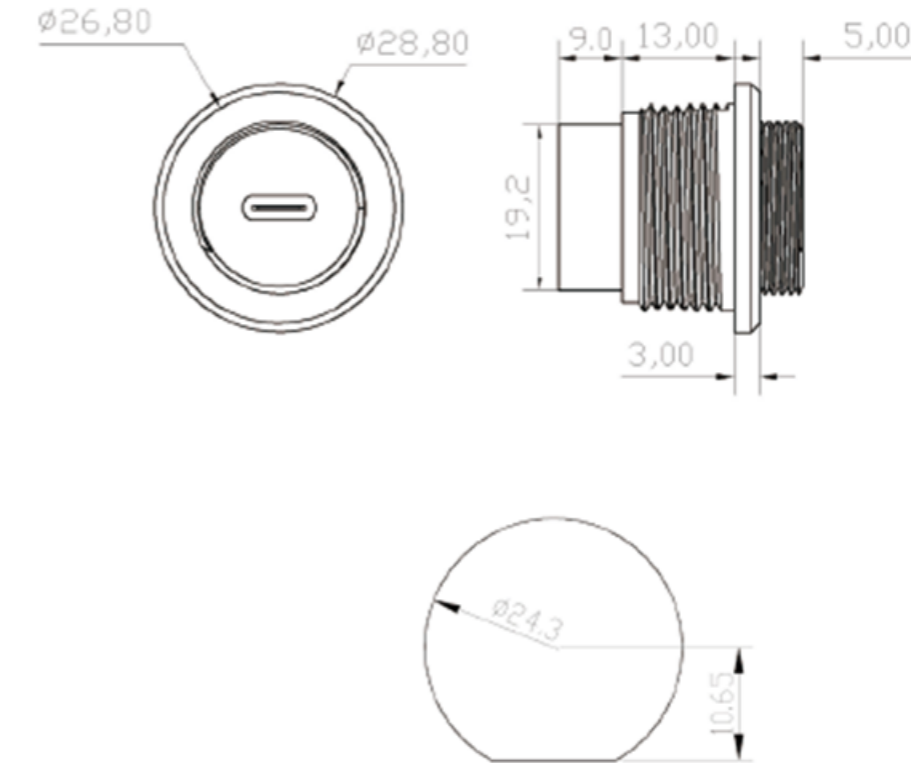
4. Mechanical Parameter

Service life ≤ 750 times

Product Picture



Product Size: MM



Date	26.06.2024	Rev.	-	Revision Detail		Rev.Dt.		Rev.by		Part No		
Designed by	Rabia MUZAÇ									WATERPROOF TYPE-C DATA CONNECTOR		
Checked by	Ersin YÜKSEL											
										Drawing Nr.	Scale	Sheet No
										TT-N-STYPECS-WP	NONE	1/1