

VIEW	TOLERANCE
	0-5 ±0.1
	6-10 ±0.25
	11-50 ±0.5
	51-100 ±1
UNIT: mm	101-250 ±2
	251-500 ±5
	501-1000 ±10
	1000-2000 ±20

## 1. Product Description

No.	Description Item	
1	D-TYPE-C Waterproof panel socket, it is used for digital TV and computer video signal transmission, double-sided support 5Gbps transmission, plug and play.	✓
2	Waterproof rating IP67 when locked with waterproof plug.	✓
3	Shell made of reinforced nylon PA6BG33, ROHS certified.	✓
4	Suitable for Suitable for industrial, automation, medical equipment installation.	✓

## 2. Technical Parameter

### 1. Material:

Shell: Reinforced nylon PA6BG33

Cover Plate: Zinc alloy, nickel-plated/black-plated

Chip contact: copper, gold plated

### 2. Temperature:

Range: -20°C - 70°C

### 3. Electrical Parameter:

On-impedance:  $\leq 5 \Omega$

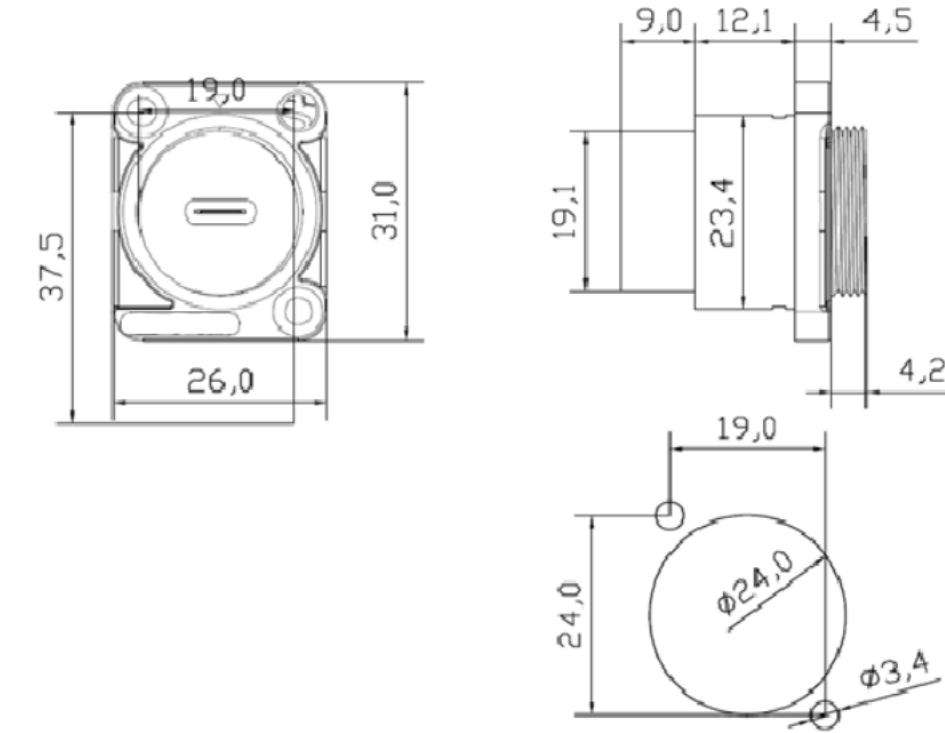
Insulation impedance:  $\geq 10M\Omega$

Power supply: 5V 2.1A-2.4A

## Product Picture



## Product Size: MM



Date	26.06.2024	Rev.	Revision Detail	Rev.Dt.	Rev.by	Part No		
Designed by	Rabia MUZAÇ	-				WATERPROOF TYPE-C DATA CONNECTOR		
Checked by	Ersin YÜKSEL							
						Drawing Nr.	Scale	Sheet No
						TT-N-STYPEC-22-WP-W	NONE	1/1