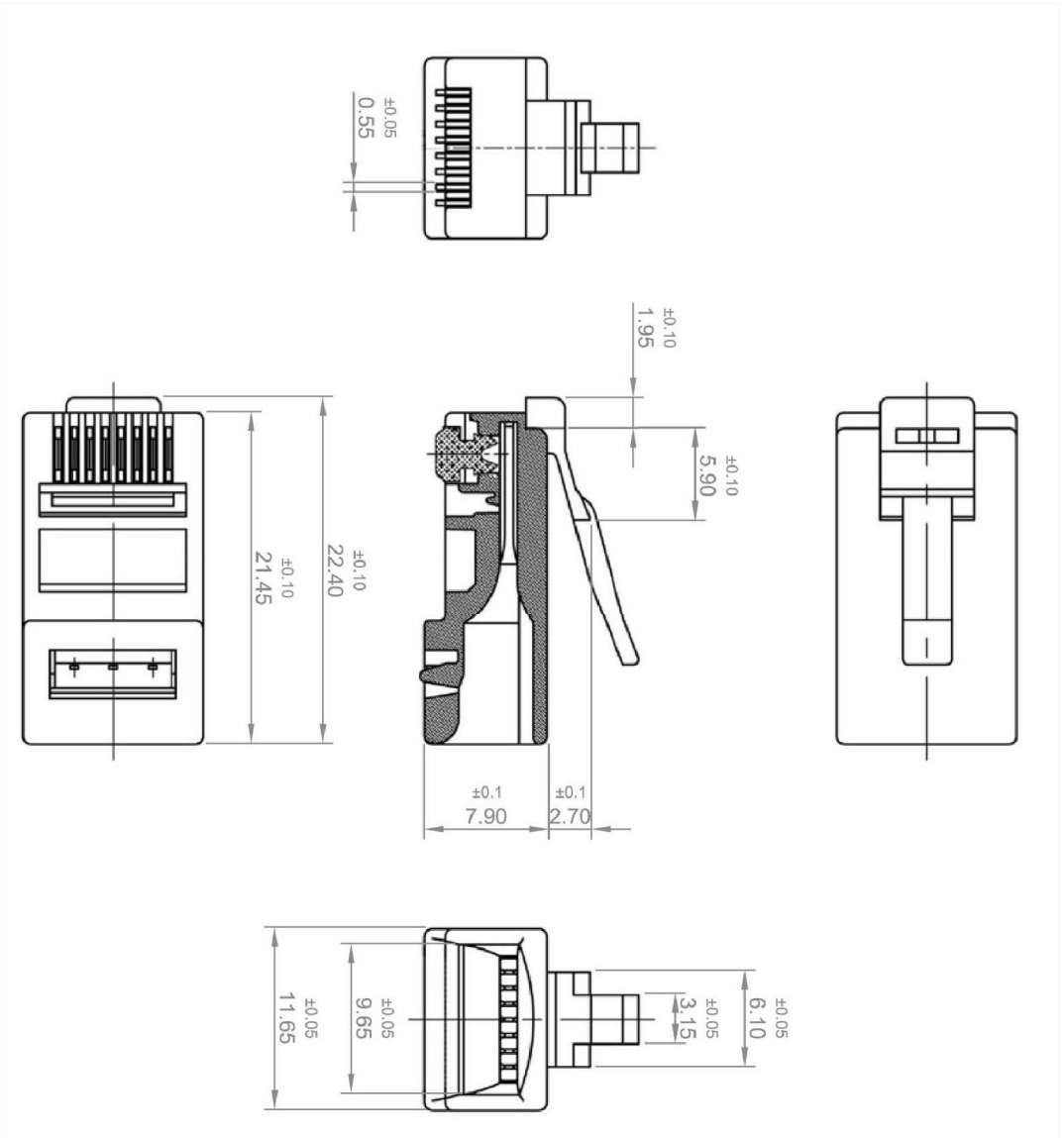


Δ Order Code : 7001-8P8C

Δ Material - Housing: Polycarbonate, UL 94V-2, NO Poison
 Contact: Phosphor Bronze
 Housing Color : Transpance
 Temperature Range : -40 °C ~ +125 °C



VIEW:	TOLERANCE
	.0
	±0.25
	±0.10
	±0.05

UNIT: mm

.000

.000

.000

Date	24.12.2007
Designed by	ZAFER
Checked by	NERGİLER

TTT
 elektronik sanayi ve ticaret ltd.

Rev. No	Revision Detail
-	-
-	-
-	-
-	-
-	-

Rev.Dt. Rev.by

Part No

7001-8P8C

Drawing Nr. Scale Sheet No

NONE

1/1