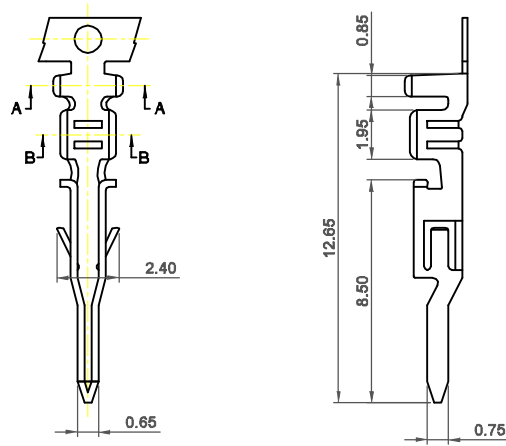


VIEW	TOLERANCE	
	0-10	±1
	11-250	±5
	251-500	±10
	501-1000	±20
	1001-3000	±50
	3001-5000	±100
UNIT: mm	5001->	±150

▲ Order Code : 5558-MT

**TTAF
APPROVAL**



Wire Range	Insulation O.D.	Material	Finish	Qty/reel
AWG#20..#24	2.50 mm(max)	Brass	Tin-Plated	15.000 pcs

Date	03.11.2014	Rev.	Revision Detail	Rev.Dt.	Rev.by	Part No		
Designed by	Yeşim AKSOY	-				5558-MT		
Checked by	Fatih BOLACA							
						Drawing Nr.	Scale	Sheet No
						-	NONE	1/1