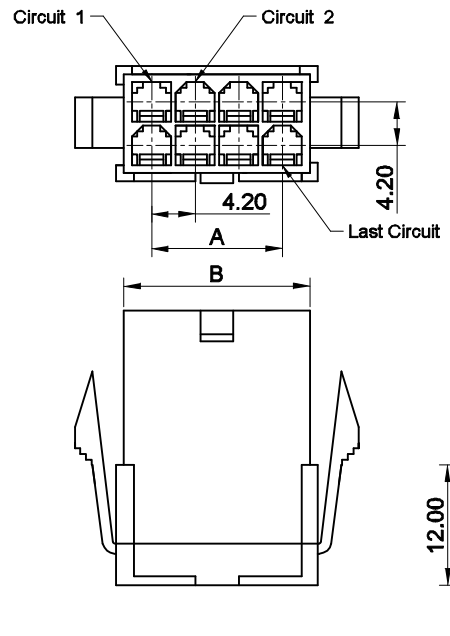


VIEW	TOLERANCE	
	0-10	±1
	11-250	±5
	251-500	±10
	501-1000	±20
	1001-3000	±50
	3001-5000	±100
	5001->	±150

UNIT: mm



PART NO.	Dimensions	
	A	B
2	---	5.40
4	4.20	9.60
6	8.40	13.80
8	12.60	18.00
10	16.80	22.20
12	21.00	26.40
14	25.20	30.60
16	29.40	34.80
18	33.60	39.00
20	37.80	43.20
22	42.00	47.40
24	46.20	51.60

Rated Voltage : 250V AC,DC
 Rated Current : 7A.
 Withstand Voltage : 1500V AC/minute
 Insulation Resistance : 1.000M ohm/minute
 Temperature Range : -25 °C ~ + 85 °C

* Order Code : 5557 - XX - W

* Material Nylon 66, UL94V-2

Number of contact : 2 to 24 pin

Date	03.11.2014	Rev.	Revision Detail	Rev.Dt.	Rev.by	Part No
Designed by	Yeşim AKSOY	-				5557-XX-W
Checked by	Fatih BOLACA					
Drawing Nr.		Scale		Sheet No		
		NONE		1/1		

