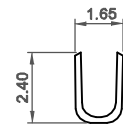
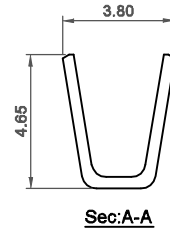
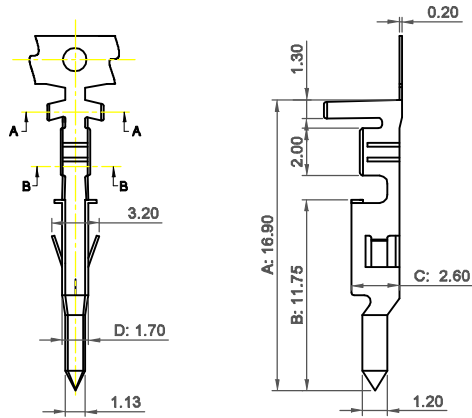


VIEW	TOLERANCE	
	0-10	±1
	11-250	±5
	251-500	±10
	501-1000	±20
	1001-3000	±50
	3001-5000	±100
	5001->	±150

UNIT: mm

▲ Order Code : 5557-MT

**TTAF  
APPROVAL**



	Wire Range	Insulation O.D.	Material	Finish	Qty/reel
MT	AWG#16..#26	2.30 mm(max)	Brass	Tin-Plated	4.000 pcs
MTP	AWG#16..#26	2.30 mm(max)	Phosphor Bronze	Tin-Plated	4.000 pcs

Date	03.11.2014	Rev.	Revision Detail	Rev.Dt.	Rev.by	Part No		
Designed by	Yesim AKSOY	-				<b>5557-MT</b>		
Checked by	Fatih BOLACA							
						Drawing Nr.	Scale	Sheet No
						-	NONE	1/1