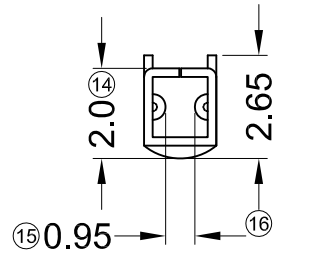
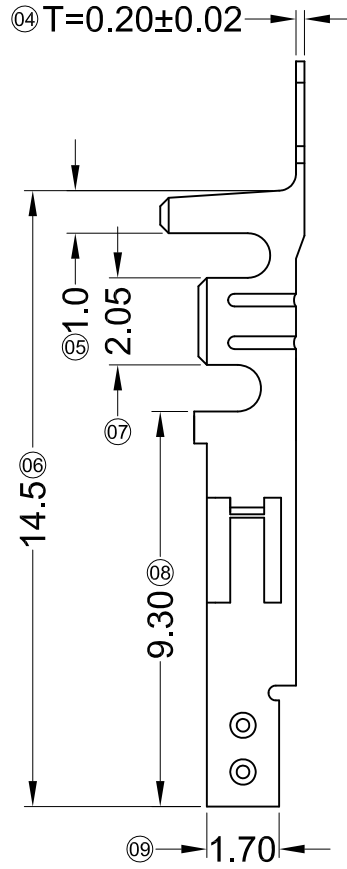
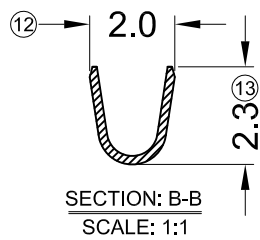
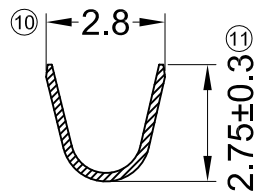
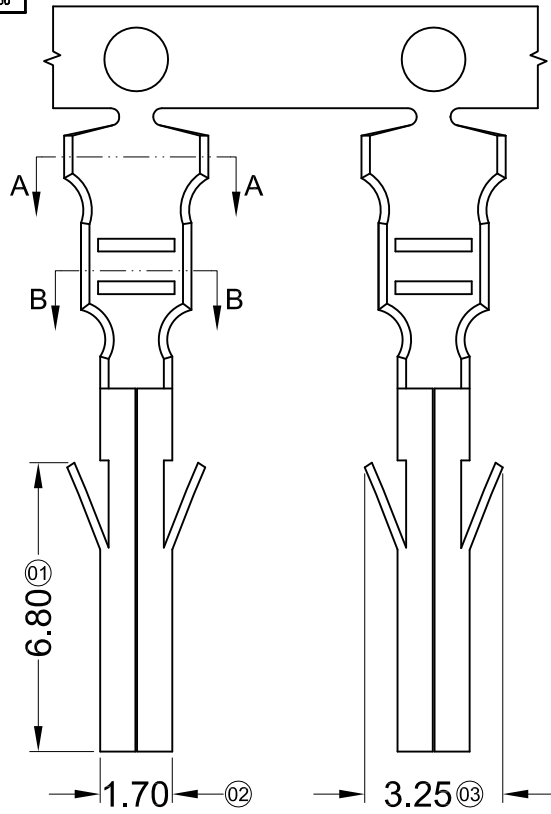


VIEW	TOLERANCE	
	0-10	±1
	11-250	±5
UNIT: mm	251-500	±10
	501-1000	±20
	1001-3000	±50
	3001-5000	±100
	5001 - >	±150



### Specifications :

- Voltage rating: 600V AC / DC
- Current rating: 9A AC / DC
- Withstanding voltage: 1500V AC/minute
- Temperature range: -25°C~+85°C
- Insulation resistance: ≥1000MΩ
- Contact resistance: ≤10mΩ
- After environmental testing: ≤20mΩ

Date	30.11.2016	Rev.		Revision Detail		Rev.Dt.		Rev.by		Part No	5557 - FT		
Designed by	Yeşim AKSOY		-							Drawing Nr.	Scale	Sheet No	
Checked by	Fatih BOLACA									NONE		1/1	