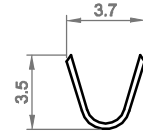
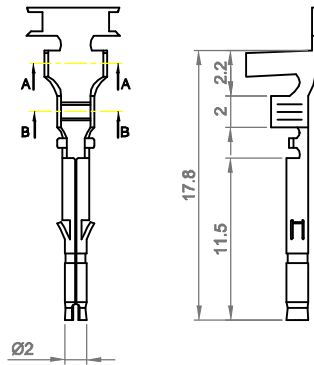
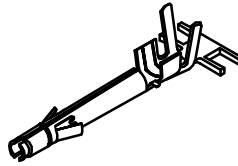


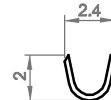
VIEW	TOLERANCE	
	0-10	±1
	11-250	±5
UNIT: mm	251-500	±10
	501-1000	±20
	1001-3000	±50
	3001-5000	±100
	5001->	±150

Δ Order Code : 3920-FT

**TTAF
APPROVAL**



Sec:A-A



Sec:B-B

Wire Range	Insulation O.D.	Material	Finish	Qty/reel
AWG#16..#20	3.40 mm (max)	Brass	Tin-Plated	5.000 pcs
AWG#20..#26	2.7 mm (max)	Brass	Tin-Plated	7.000 pcs

Date	03.11.2014	Rev.	-	Revision Detail		Rev.Dt.		Rev.by		Part No	3920-FT		
Designed by	Yeşim AKSOY									Drawing Nr.	Scale	Sheet No	
Checked by	Fatih BOLACA									-	NONE	1/1	

