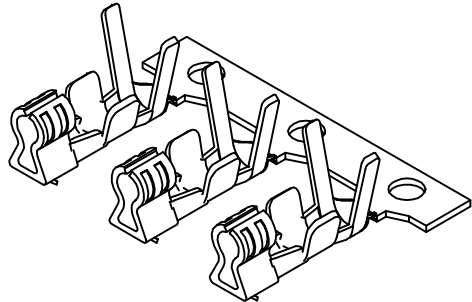
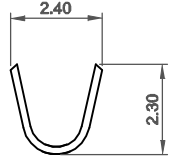
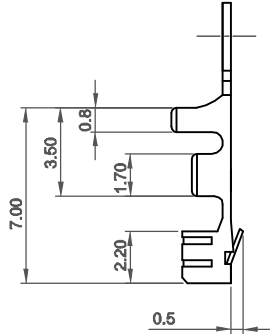
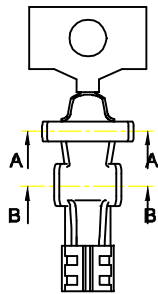


VIEW	TOLERANCE	
	0-10	±1
	11-250	±5
UNIT: mm	251-500	±10
	501-1000	±20
	1001-3000	±50
	3001-5000	±100
	5001- >	±150

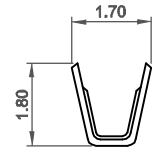
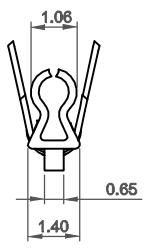


▲ Order Code : 2316-T

**TTAF
APPROVAL**



Sec:A-A



Sec:B-B

Wire Range	Insulation O.D.	Metartal	Finish	Qty/reel
AWG#22..#28	1.90 mm (max)	Phosphor Bronze&Brass	Tin-Plated	10.000 pcs

Date	03.11.2014	Rev.	Revision Detail	Rev.Dt.	Rev.by	Part No		
Designed by	Yeşim AKSOY	-				2316-T		
Checked by	Fatih BOLACA							
						Drawing Nr.	Scale	Sheet No
						-	NONE	1/1