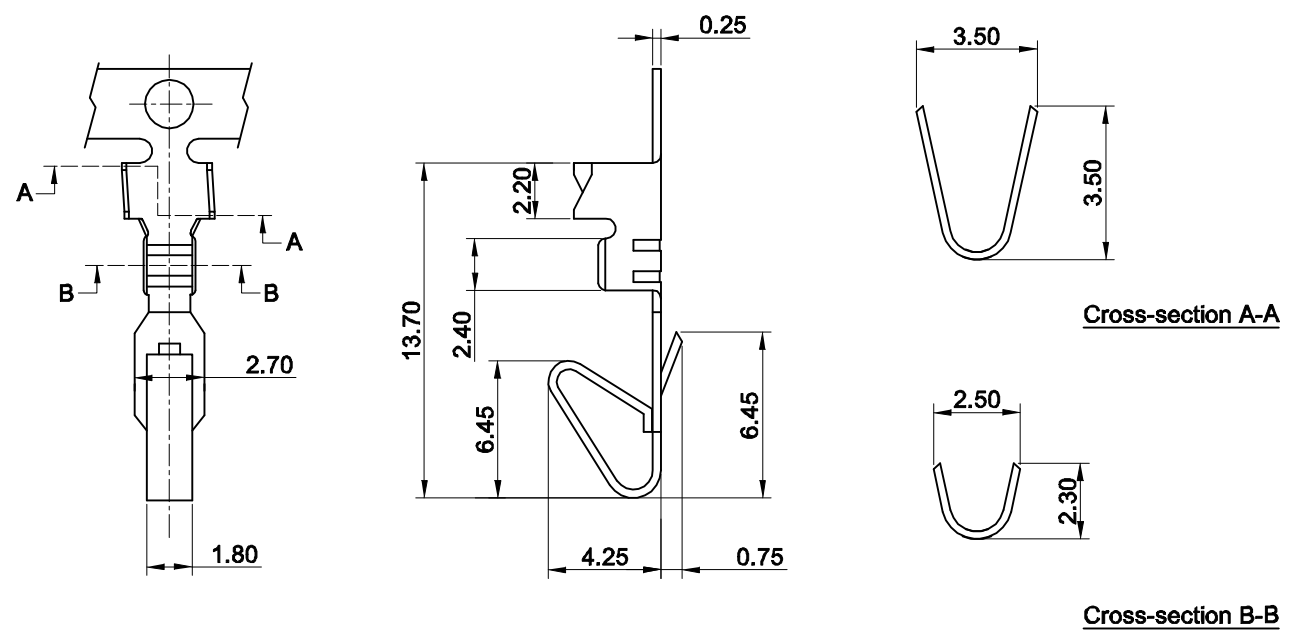


VIEW	TOLERANCE	
	0-10	±1
	11-250	±5
UNIT: mm	251-500	±10
	501-1000	±20
	1001-3000	±50
	3001-5000	±100
	5001- >	±150



Wire Range	Insulation O.D.	Material	Finish	Qty/reel
AWG#18....#24	2.80 mm (max)	Brass	Tin-Plated	6,000 pcs

* Order Code : 2220 - TN

Date	03.11.2014	Rev.	-	Revision Detail		Rev.Dt.		Rev.by		Part No	2220 - TN		
Designed by	Yeşim AKSOY												
Checked by	Fatih BOLACA												
										Drawing Nr.	Scale	Sheet No	
										-	NONE	1/1	