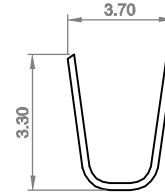
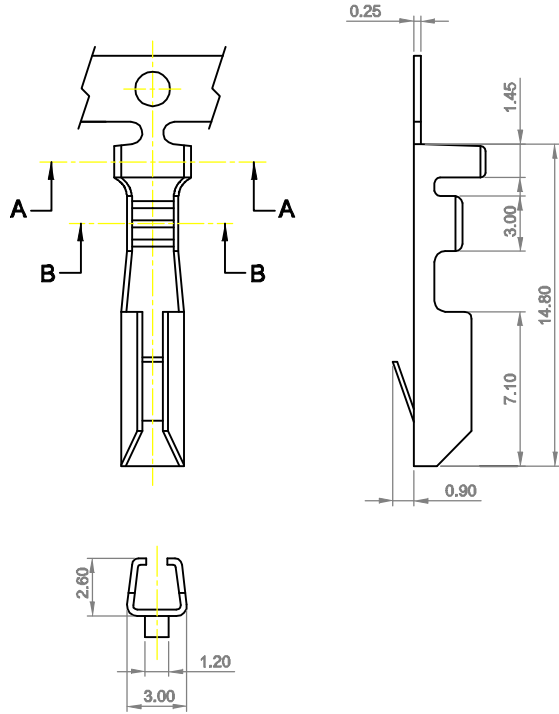


VIEW	TOLERANCE
	0-10 ±1
	11-250 ±5
	251-500 ±10
	501-1000 ±20
	1001-3000 ±50
	3001-5000 ±100
5001- >	±150

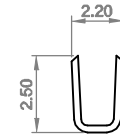
UNIT: mm

▲ Order Code : 2007-T

**TTAF
APPROVAL**



Sec:A-A



Sec:B-B

Wire Range	Insulation O.D.	Material	Finish	Qty/reel
AWG#18..#22	2.8 mm (max)	Brass	Tin-Plated	8.000 pcs

Date	03.11.2014	Rev.	Revision Detail	Rev.Dt.	Rev.by	Part No		
Designed by	Yeşim AKSOY	-				2007-T		
Checked by	Fatih BOLACA							
						Drawing Nr.	Scale	Sheet No
						-	NONE	1/1