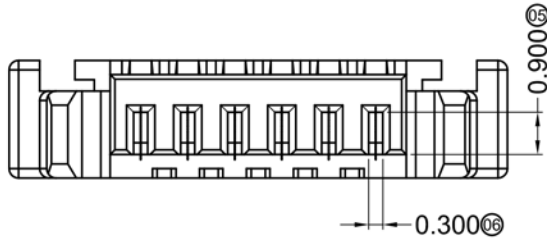
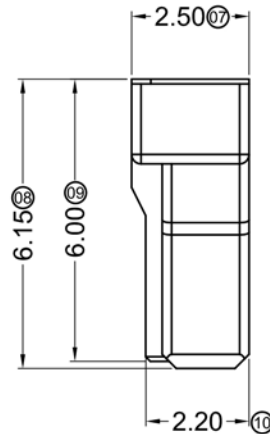
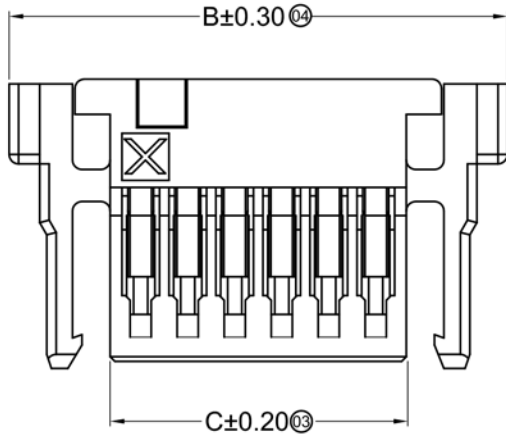
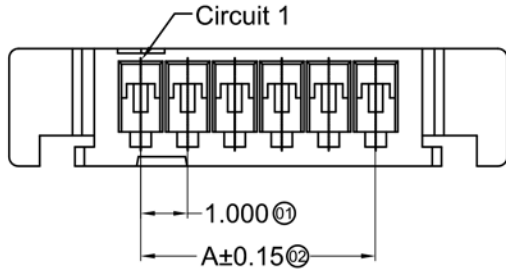
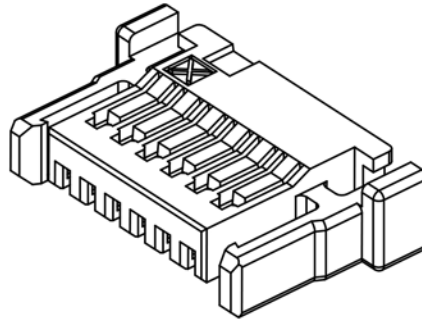


**TTAF
APPROVAL**

■ **Specifications :**

- Voltage rating: 125V AC / DC
- Current rating: 1A AC / DC
- Withstanding voltage: 500V AC/minute
- Temperature range: -25°C~+85°C
- Insulation resistance: ≥100MΩ
- Contact resistance: ≤20mΩ
- After environmental testing: ≤40mΩ



Poles	Dimensions(mm)			Poles	Dimensions(mm)		
	A	B	C		A	B	C
02	1.00	6.60	2.30	12	11.00	16.60	12.30
03	2.00	7.60	3.30	13	12.00	17.60	13.30
04	3.00	8.60	4.30	14	13.00	18.60	14.30
05	4.00	9.60	5.30	15	14.00	19.60	15.30
06	5.00	10.60	6.30	16	15.00	20.60	16.30
07	6.00	11.60	7.30	17	16.00	21.60	17.30
08	7.00	12.60	8.30	18	17.00	22.60	18.30
09	8.00	13.60	9.30	19	18.00	23.60	19.30
10	9.00	14.60	10.30	20	19.00	24.60	20.30
11	10.00	15.60	11.30				

Date	30.11.2016	Rev		Revision Detail	Rev.Dt.	Rev.by	Part No		
Designed by	Yeşim AKSOY		-				2006-XXH		
Checked by	Fatih BOLACA								
							Drawing Nr.	Scale	Sheet No
								NONE	1/1