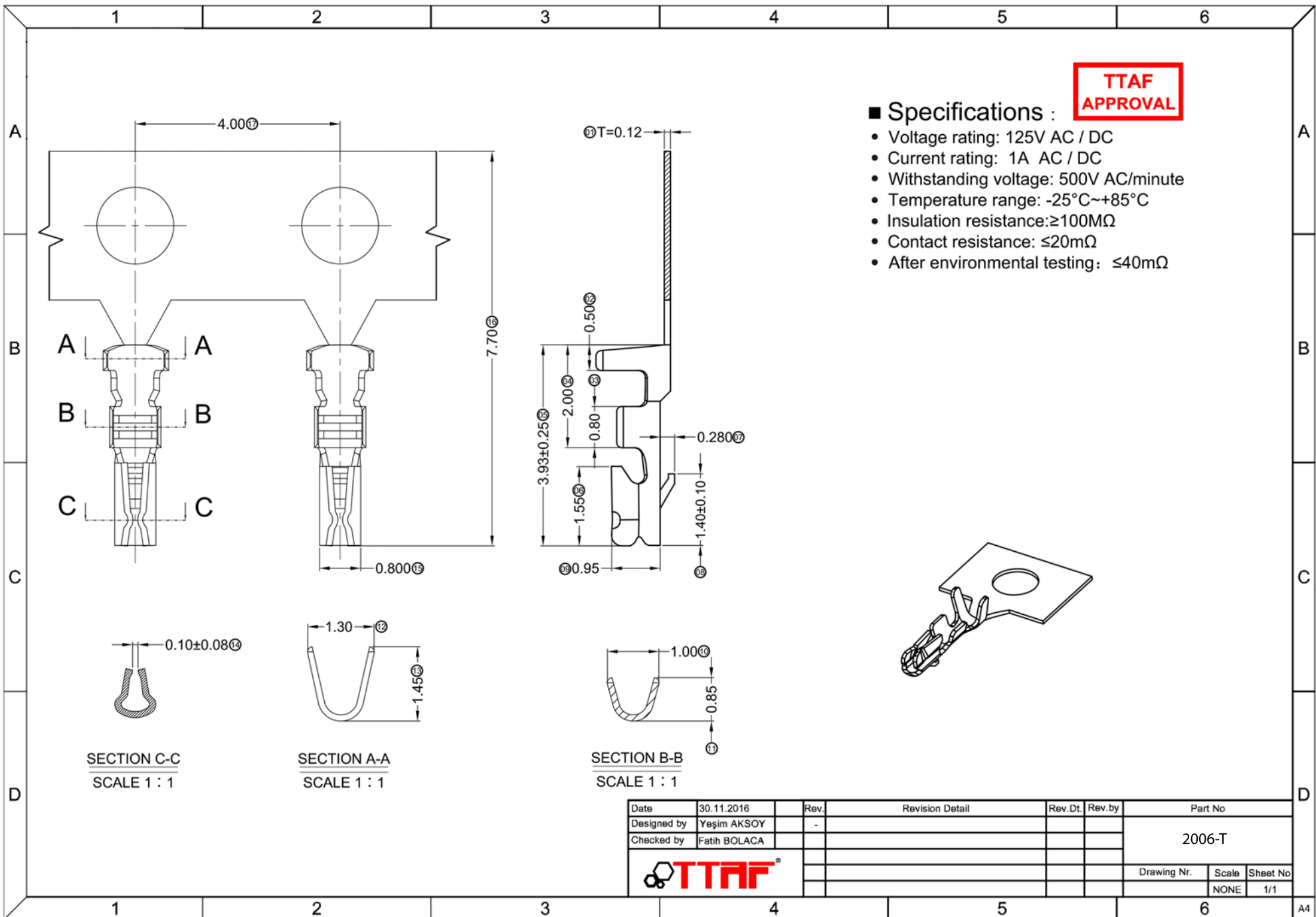


**TTAF
APPROVAL**

Specifications :

- Voltage rating: 125V AC / DC
- Current rating: 1A AC / DC
- Withstanding voltage: 500V AC/minute
- Temperature range: -25°C~+85°C
- Insulation resistance: ≥100MΩ
- Contact resistance: ≤20mΩ
- After environmental testing: ≤40mΩ



SECTION C-C
SCALE 1 : 1

SECTION A-A
SCALE 1 : 1

SECTION B-B
SCALE 1 : 1

Date	30.11.2016	Rev		Revision Detail	Rev.Dt.	Rev.by	Part No
Designed by	Yeşim AKSOY		-				2006-T
Checked by	Fatih BOLACA						
							Drawing Nr.
							Scale
							Sheet No
							NONE
							1/1



A
B
C
D
A4