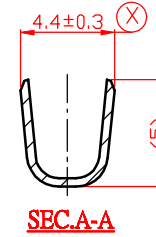
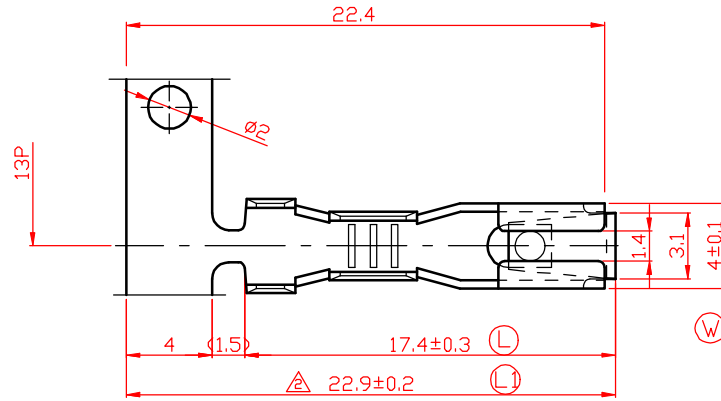


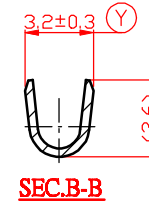
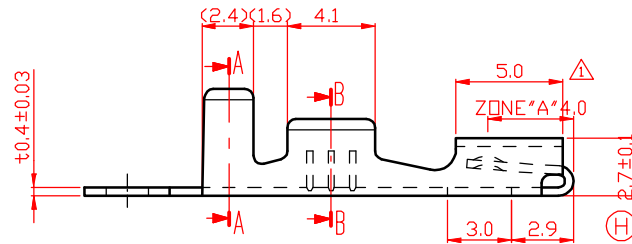
VIEW	TOLERANCE	
	0-10	±1
	11-250	±5
UNIT: mm	251-500	±10
	501-1000	±20
	1001-3000	±50
	3001-5000	±100
	5001->	±150

▲ Order Code : 200011-FT

**TTAF
APPROVAL**



NOTE:
 1.Pre-Tin Plated Thickness More Than 40u"
 2.Selective Gold Plating 3u" Over Zone"A"
 3.Mating Part: 118-Type Tab=0.6
 Inserted Force:Less Than 1.0kg
 Tensile Force:0.4~1.2kg



Date	04.01.2016	Rev.	-	Revision Detail		Rev.Dt.		Rev.by		Part No	200011-TF
Designed by	Yeşim AKSOY	Checked by	Fatih BOLACA								
										Drawing Nr.	-
										Scale	NONE
										Sheet No	1/1