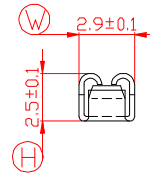
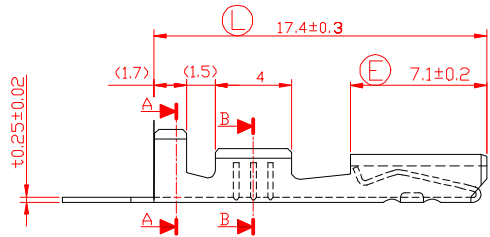
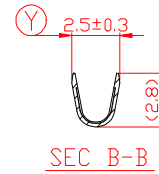
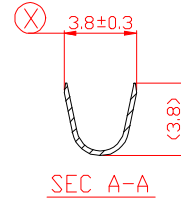
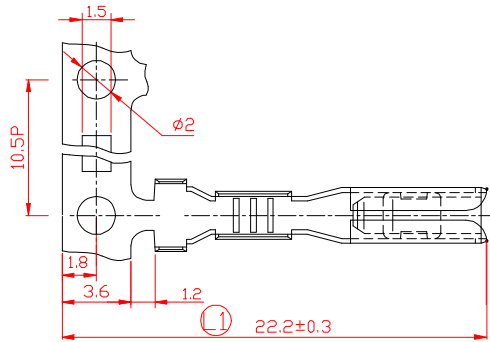


VIEW	TOLERANCE	
	0-10	±1
	11-250	±5
	251-500	±10
UNIT: mm	501-1000	±20
	1001-3000	±50
	3001-5000	±100
	5001- >	±150

▲ Order Code : 200010-TF

**TTAF
APPROVAL**



NOTE
 1.Pre-Tin Plated Thickness More Than 40μ"
 2.Mating Part: TAB=0.8
 Inserted Force: Less Than 0.8KG
 Tensile Force: 0.3-0.8KG

Date	04.01.2016	Rev.	-	Revision Detail		Rev.Dt.		Rev.by		Part No	200010-TF
Designed by	Yeşim AKSOY										
Checked by	Fatih BOLACA										
										Drawing Nr.	-
										Scale	NONE
										Sheet No	1/1