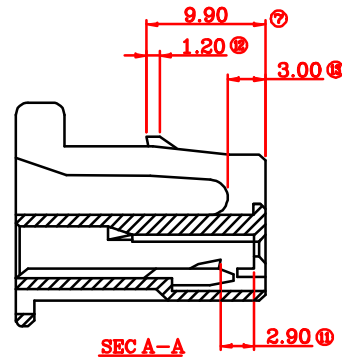
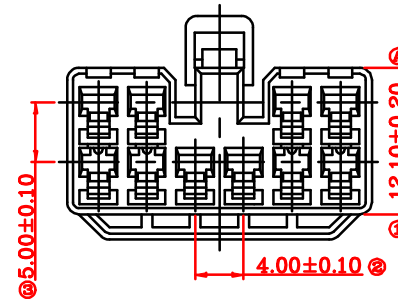
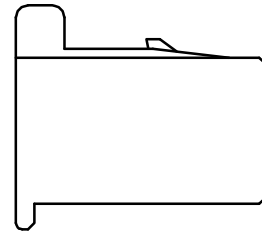
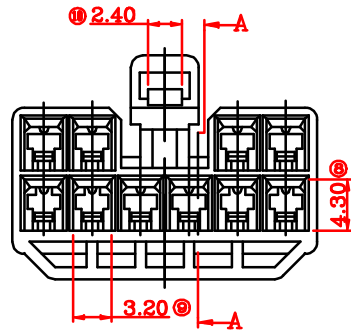
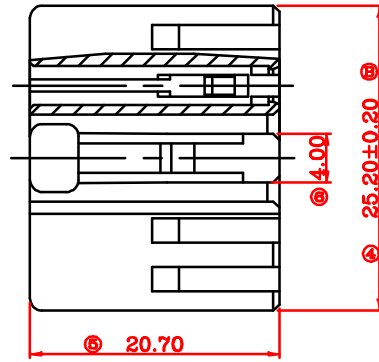


VIEW	TOLERANCE	
	0-10	±1
	11-250	±5
	251-500	±10
	501-1000	±20
UNIT: mm	1001-3000	±50
	3001-5000	±100
	5001- >	±150

▲ Order Code : 200010-10F

**TTAF  
APPROVAL**

**NOTE:**  
1.ALL THE DIMENSIONS ARE MEASURED UNDER  
GRADE "B" UNLESS OTHERWISE SPECIFIED.



Date	04.01.2016	Rev.	Revision Detail	Rev.Dt.	Rev.by	Part No		
Designed by	Yeşim AKSOY	-				200010-10F		
Checked by	Fatih BOLACA							
						Drawing Nr.	Scale	Sheet No
						-	NONE	1/1