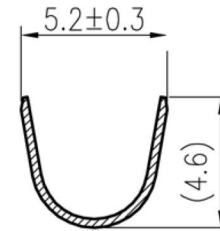
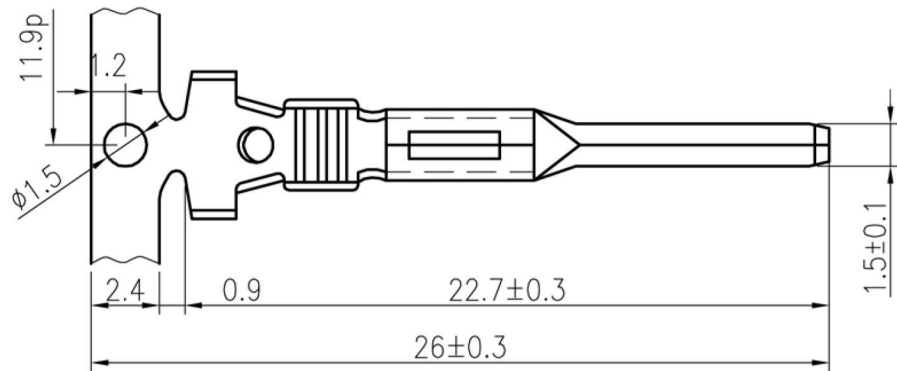


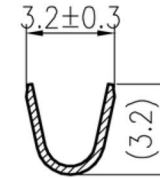
VIEW	TOLERANCE	
	0-10	±1
	11-250	±5
	251-500	±10
	501-1000	±20
	1001-3000	±50
UNIT: mm	3001-5000	±100
	5001- >	±150

▲ Order Code : 200001-TM-B  
( 0.8 - 1.3mm<sup>2</sup> )

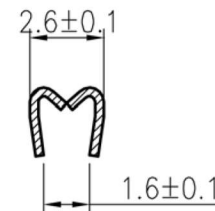
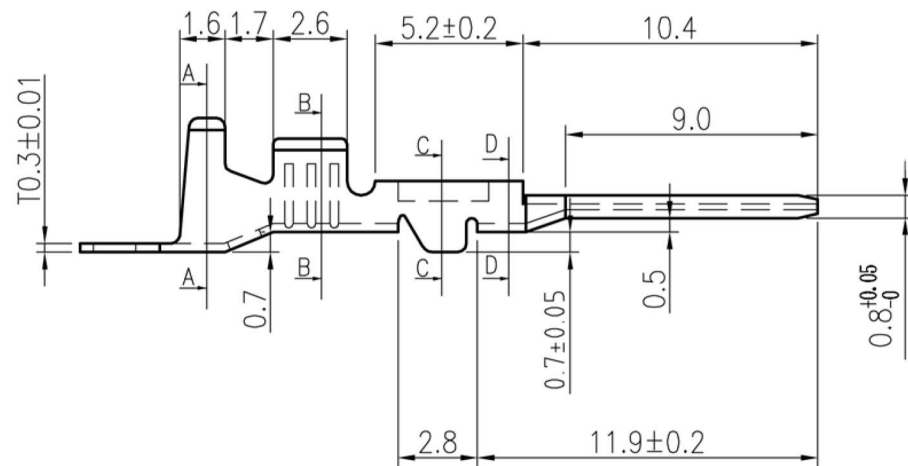
**TTAF  
APPROVAL**



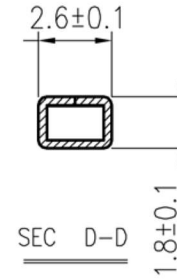
SEC A-A



SEC B-B



SEC C-C



SEC D-D

Date	22.10.2008	Rev.		Revision Detail		Rev.Dt.		Rev.by		Part No	200001-TM-B ( 0.8 - 1.3mm <sup>2</sup> )		
Designed by	Yeşim AKSOY		-							Drawing Nr.	Scale	Sheet No	
Checked by	Fatih BOLACA									-	NONE	1/1	