

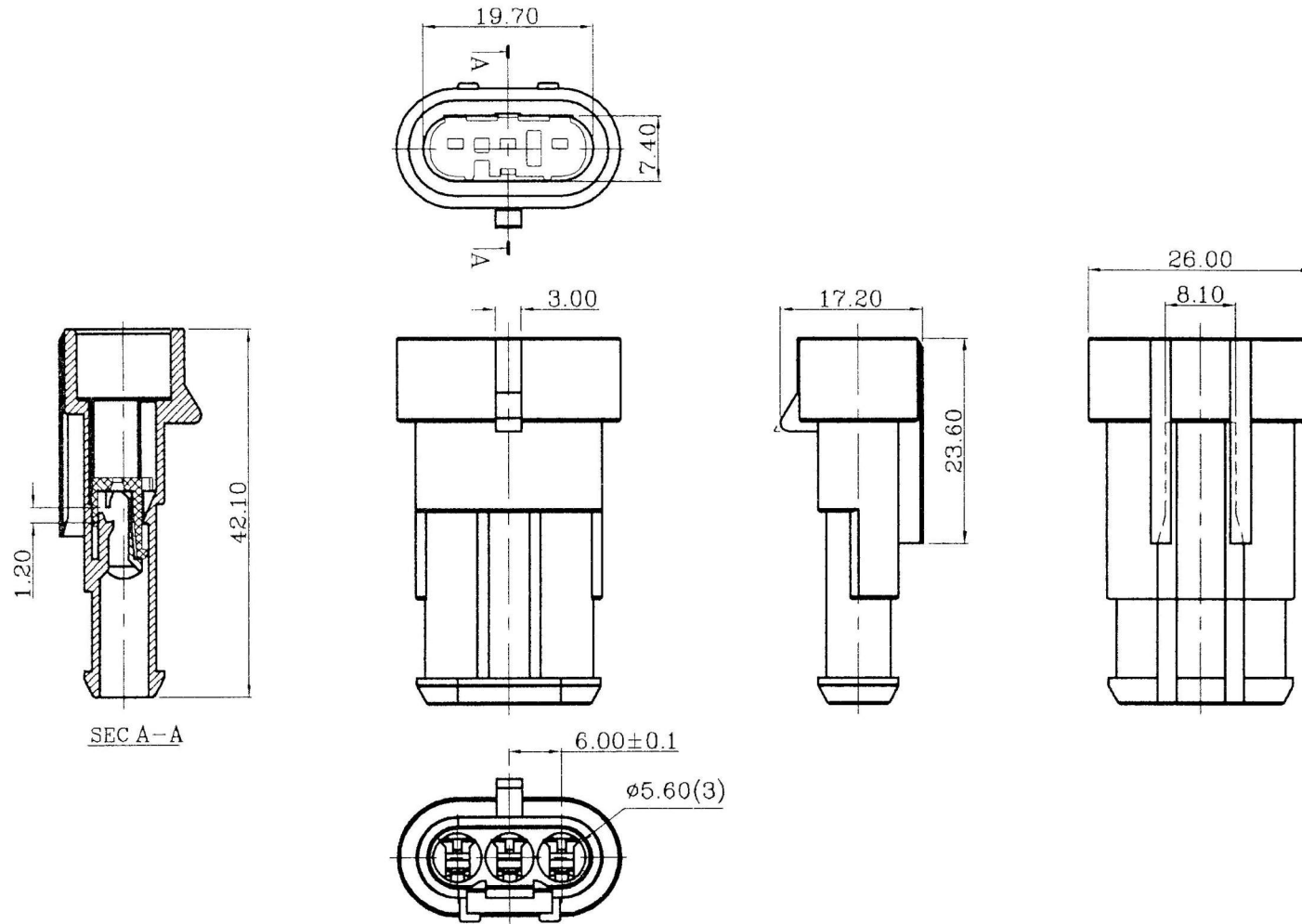
VIEW	TOLERANCE	
	0-10	±1
	11-250	±5
	251-500	±10
	501-1000	±20
	1001-3000	±50
UNIT: mm	3001-5000	±100
	5001- >	±150

△ Order Code : 200001-3M

**TTAF  
APPROVAL**

**Materiel** PA66 GF  
**Temperature Range** -40°C # +120°C

**Current Rating**  
0,50mm<sup>2</sup> Kablo Max.6A  
0,75mm<sup>2</sup> Kablo Max.7A  
1,00mm<sup>2</sup> Kablo Max.8A  
1,50mm<sup>2</sup> Kablo Max.11A



Date	22.10.2008	Rev.		Revision Detail		Rev.Dt.		Rev.by		Part No	
Designed by	Yeşim AKSOY		-							200001-3M	
Checked by	Fatih BOLACA										Drawing Nr.
										-	NONE
											1/1